



**1-800-779-2102**

Mon – Thurs: 8:00am - 5:00pm | Friday: 8:00am - 4:00pm CST

**INSPECT YOUR PRODUCT FOR DAMAGE & MISSING PARTS BEFORE PROCEEDING TO INSTALLATION**

**PROCEDURE FOR RETURNS OR MISSING HARDWARE**

-PLEASE CONTACT THE ORIGINAL POINT OF PURCHASE FOR:  
SHIPPING DAMAGE, RETURNS, OR WARRANTY CLAIMS

-CONTACT DEE ZEE DIRECTLY FOR MISSING PARTS OR HARDWARE

**WWW.DEEZEE.COM**

REGISTER YOUR PRODUCT ONLINE: [www.deezee.com/registration](http://www.deezee.com/registration)

VIEW INSTRUCTIONS ONLINE: [www.deezee.com/instructions](http://www.deezee.com/instructions)

---

**⚠ WARNING:** Cancer and Reproductive Harm  
[www.P65Warnings.ca.gov](http://www.P65Warnings.ca.gov)

Operating, servicing, and maintaining a passenger vehicle can expose you to chemicals such as lead, phthalates, engine exhaust, and carbon monoxide that are known to the State of California cause cancer and birth defects or other reproductive harm. To minimize exposure, service your vehicle and its accessories in a well-vented area and wear gloves or wash your hands frequently.



## DEE ZEE, INC. WARRANTY AGREEMENT

Dee Zee, Inc. guarantees the original purchaser a limited lifetime warranty against manufacturer defects in materials, workmanship, and design under normal use, excluding damage resulting from road hazards such as gravel or other debris, product misuse, improper installation, impairments from accidents, product modifications, improper repairs, spills, vandalism, product neglect, or acts of God.

This warranty applies only to the original purchaser of new product(s) and is limited to the replacement of genuine Dee Zee products. Modification of any kind to Dee Zee products voids all warranty coverage. Warranty does not include electrical components, installation, cost of removal, labor, transportation costs, loss of use, inconvenience, or consequential damages.

### WARRANTY COVERAGE - MATERIALS & WORKMANSHIP

#### LIMITED LIFETIME WARRANTY:

- STAINLESS STEEL: Side Steps, Grill Guards, Bull Bars, Bed Caps, and Side Rails
- ALUMINUM: Side Steps, Running Boards, Storage Boxes, Transfer Tanks, Bed Protection, Side Rails, Invis-A-Racks, and Cab Racks
- PLASTIC: Storage Boxes
- OTHER: Front and Rear Bumpers

#### THREE-YEAR WARRANTY:

- POWDER-COATED / E-COATED STEEL: Side Steps, Running Boards, Storage Boxes, Transfer Tanks, Cab Racks, Sport Bar Ladder Racks, Cargo Carriers, Mounting Brackets (NX, Rough Step, and Bumper Guards only)
- OTHER: Tailgate Assist, Bed Mats, Floor Mats, Auxiliary Fuel Connection Kits, and All Products Not Otherwise Listed Individually

### WARRANTY COVERAGE – FINISH PROTECTION

The finish of all Dee Zee products is covered for one-year (1) from the date of purchase. Dee Zee products have a high quality finish that must be cared for and maintained like any other exposed finish on the vehicle. Protect the finish with non-abrasive automotive wax (e.g. Pure Carnauba) on a regular basis. Applying soaps, polishes, or waxes that contain an abrasive compound may scratch the finish and leave the exposed material susceptible to corrosion.

### WARRANTY COVERAGE – COMPONENT PARTS

Operational items such as shocks, latches, hinges, and wear items including, but not limited to, mud flaps, step pads, toolbox tray, end caps, hardware, seals, etc. have a one-year (1) warranty. Replacement component parts can be ordered via credit card (MasterCard or VISA) by calling 1-800-779-2102. All replacement parts are non-returnable and non-refundable.

## **GPI® FUEL PUMPS & ACCESSORIES**

All Great Plains Industries (GPI) products, including transfer tank pumps and fuel meters are covered by GPI's warranty policies. Dee Zee's warranty terms do not apply to GPI products. To submit a warranty claim, please contact GPI at 1-800-835-0113 or visit [www.gpi.net](http://www.gpi.net).

### **WARRANTY SUBMISSION PROCEDURE**

All warranty claims will be initiated at the place of purchase. The original purchaser will be required to present the original sales receipt with purchase date shown and provide photographs of the defect.

In the event the originally purchased product style is no longer available, Dee Zee will warranty the defective part with a current equivalent. If a comparable product is no longer available, the product would be returned to the store of purchase for a refund or the applicable cost difference can be paid to choose an alternate style.

### **DISCLAIMER**

All products are sold as appearance accessories and should not be relied upon as protection for the vehicle or its occupants in the event of an accident. Vehicles equipped with a supplemental restraints system (air bags) deployed by impact and collision avoidance systems should not be modified in any way. Always consult the vehicle manufacturer if you have any questions regarding supplemental restraint systems and sensors.

Buyer must accommodate front and rear sensors during product installation and assumes all risk should these be tampered, rerouted, severed, or disconnected. This includes disabling visual, audio, or vibration alerts into the cab. Buyer assumes all risk and responsibility for wiring any supplemental auxiliary lights.

Buyer assumes all risk, liability, and cost for the installation and use of Dee Zee products. Dee Zee, Inc. assumes no liability for injury, loss, incidental or consequential damages in the event of an accident.



Thank you for choosing Dee Zee to add function and accessorize your vehicle. Dee Zee has been a staple brand in the truck accessory market since 1977 and we hold a reputation of quality manufacturing based in America's Heartland. Our products are born through careful engineering and backed by industry leading warranty programs. We appreciate the opportunity to serve you and your vehicle!

**Review the instruction pages in their entirety to prepare the required tools**

**Warning:** Please check for wiring or other obstructions before drilling any holes in the vehicle. If it is necessary to drill any holes, Dee Zee recommends putting a sealant or rust inhibitory around all holes drilled into the body of the vehicle.

It is the sole responsibility of the vehicle owner to check for tire clearance. It is unlawful and dangerous to ride on any external vehicle step while the vehicle is in motion.

**Cleaning:** To be entitled to all warranty rights offered with the product, Dee Zee steps need to be cleaned regularly with a mild detergent. Do NOT use abrasive cleaners. For stainless steel products, the application of a high grade automotive wax is recommended.



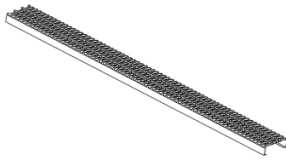
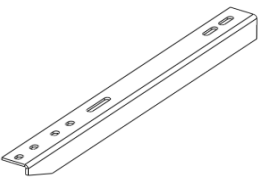
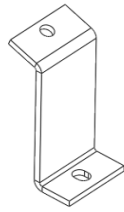
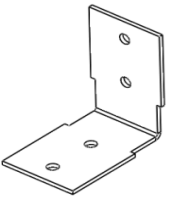
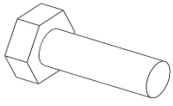

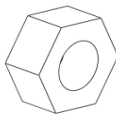
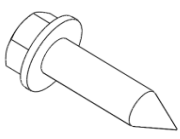
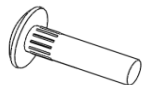

Dee Zee Cares - Please Recycle

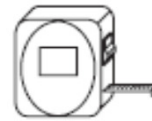
For an electronic version of these instructions visit: [www.deezee.com/instructions](http://www.deezee.com/instructions)

Register your product online: [www.deezee.com/registration](http://www.deezee.com/registration)

## Dee Zee Rough Step Board Installation Instruction

### DZ 15316 Chevy 135" & 155" WB Van

<p><b>A</b> BOARD SOLD SEPARATELY</p>  <p>VARIES <span style="float: right;"><b>X2</b></span></p>	<p><b>B</b> ANGLE BRACE</p>  <p>B 1984P <span style="float: right;"><b>X6</b></span></p>	<p><b>C</b> ROCKER PANEL BRACKET</p>  <p>B 1985P <span style="float: right;"><b>X6</b></span></p>	<p><b>D</b> FRAME BRACKET</p>  <p>B 134 <span style="float: right;"><b>X6</b></span></p>
<p><b>E</b> 1/4 X 3/4" HEX HEAD BOLT</p>  <p>PN 70B <span style="float: right;"><b>X30</b></span></p>	<p><b>F</b> 1/4" FLAT WASHER</p>  <p>PN 72B <span style="float: right;"><b>X66</b></span></p>	<p><b>G</b> 1/4" HEX NUT</p>  <p>PN 71B <span style="float: right;"><b>X36</b></span></p>	<p><b>H</b> SHEET METAL SCREW</p>  <p>PN 97 <span style="float: right;"><b>X12</b></span></p>
<p><b>I</b> 1/4 X 1" RIBNECK CARRIAGE BOLT</p>  <p>PN 87 <span style="float: right;"><b>X6</b></span></p>	<p><b>J</b> SPLIT LOCK WASHER</p>  <p>PN 512 <span style="float: right;"><b>X12</b></span></p>		

**TOOLS REQUIRED**WRENCH/RATCHET  
3/8", 7/16"TAPE  
MEASURE

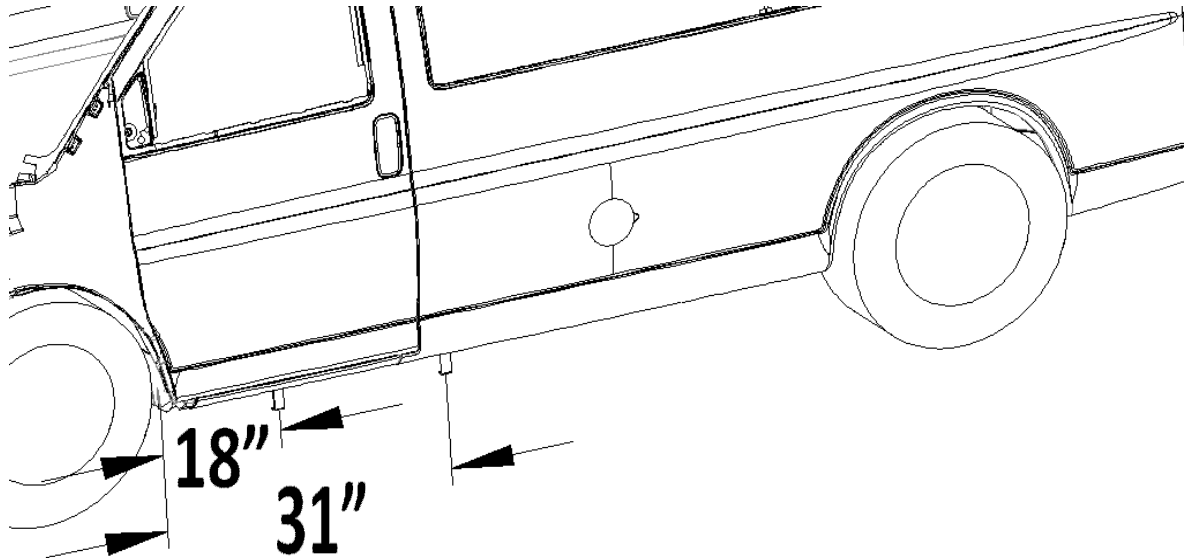
LEVEL

**Drill**3/16" DRILL BIT  
1/4" DRILL BIT

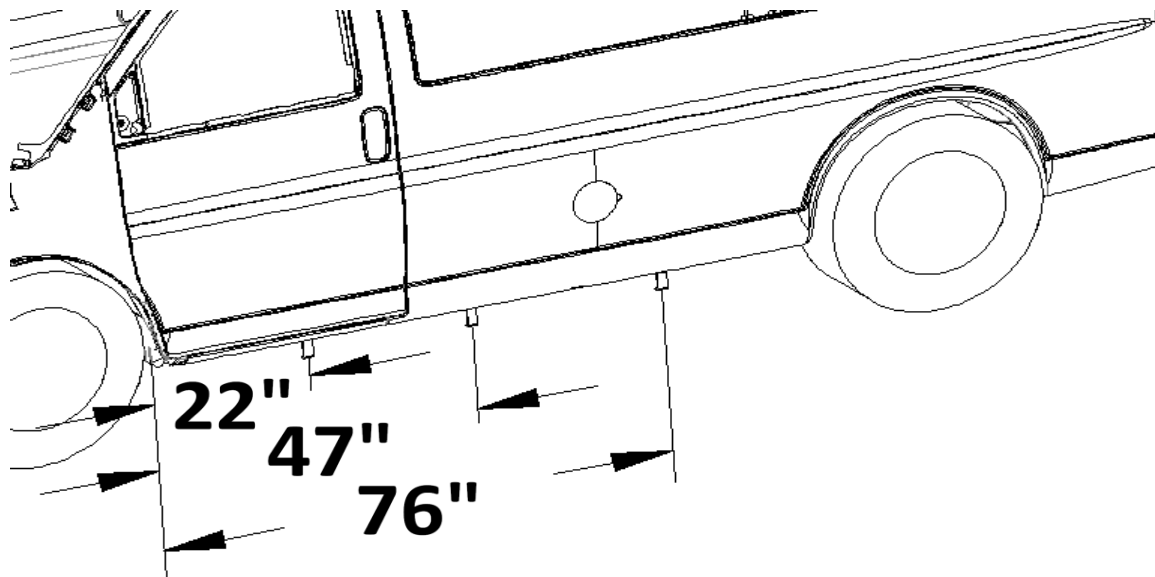
- 1** This instruction is for both the standard board and the front doors only board. For the front doors only version, you will only use 4 of each brace. The remaining part may be discarded.

**FRONT DOORS ONLY BOARD**

Measure back from the front wheel well and mark the lower rocker panel at 18" and 31". This will be the approximate location for the rocker panel bracket [C].

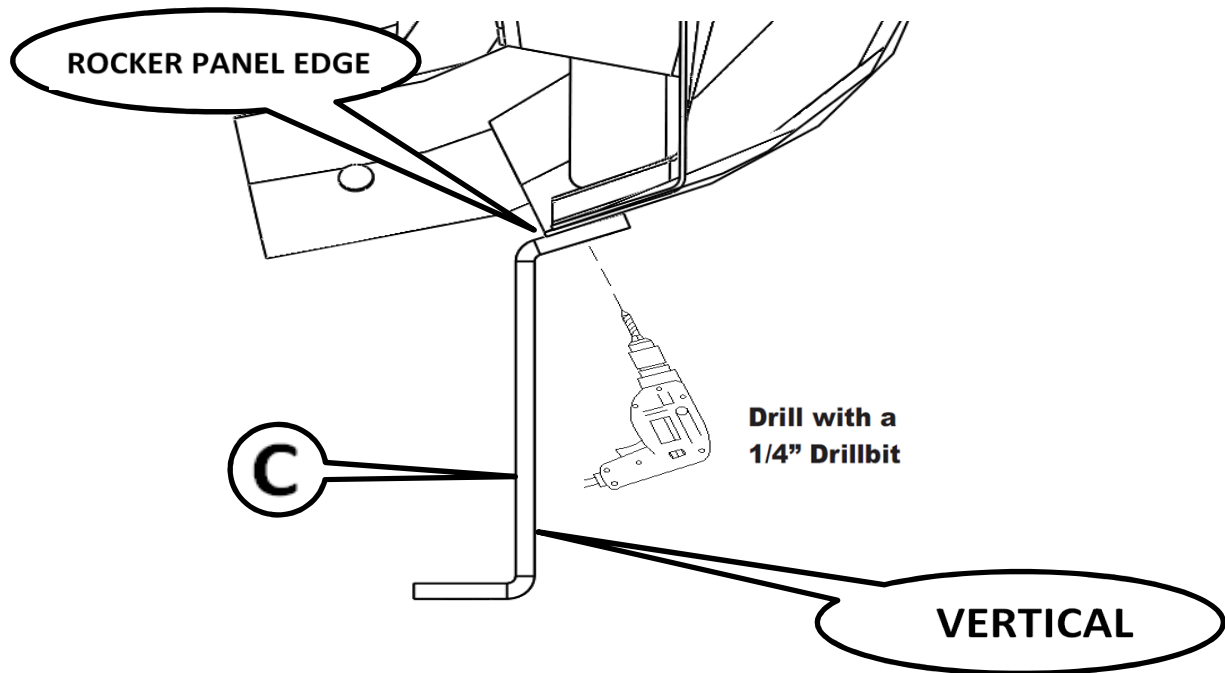
**STANDARD BOARD**

Measure back from the front wheel well and mark the lower rocker panel at 22", 47" and 76". This will be the approximate location for the rocker panel bracket [C].



**3** Make sure there is nothing on the frame at these three location that would obstruct the frame bracket from being installed in the later steps. If there is an obstruction, move the rocker panel bracket to the front/rear as needed.

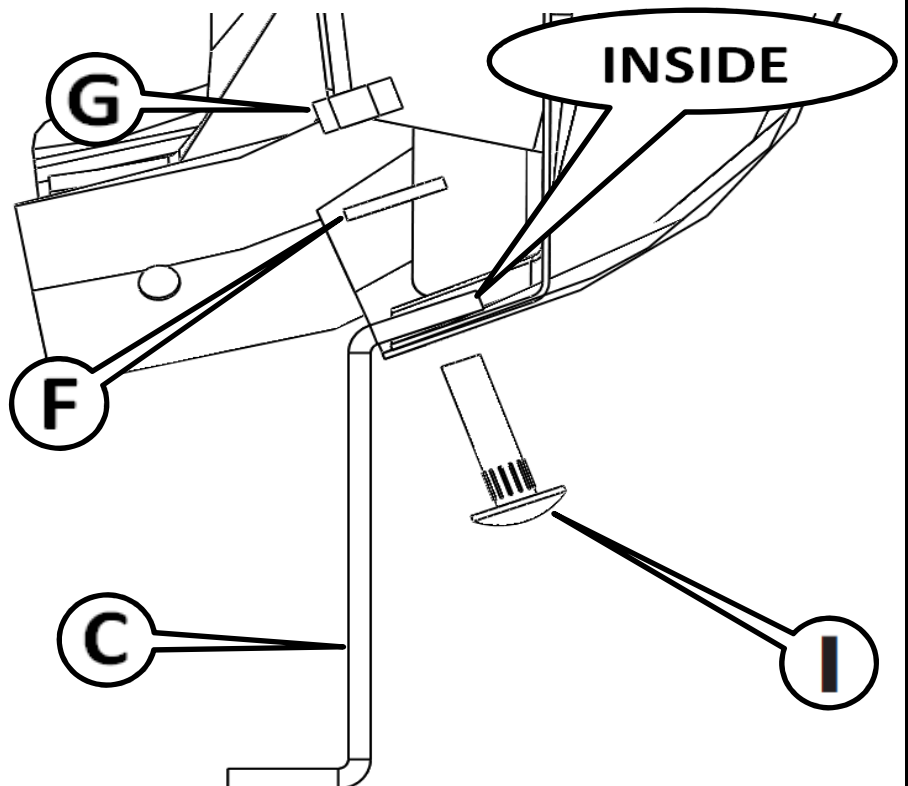
Hold the rocker panel bracket on the outside of the rocker panel to determine where to drill. Make sure the vertical part of the rocker panel bracket is inside of the edge of the rocker panel before drilling. Mark the hole, remove the bracket and drill a 1/4" hole. Repeat this for each bracket location.



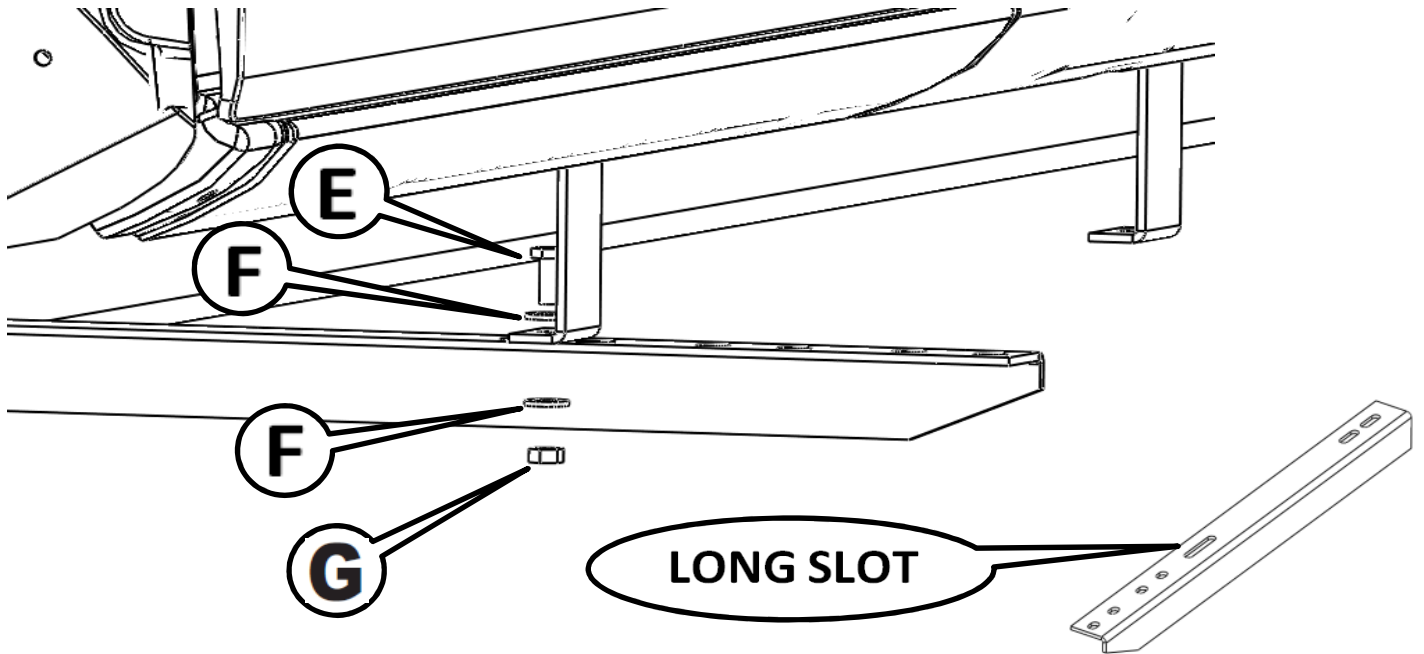
**4** Attach the rocker brackets [C] to the rocker panel with a ribneck carriage bolt [I], washer [F], and nut [G].

The top portion of the bracket should be inside the rocker panel.

Repeat this for each bracket location.

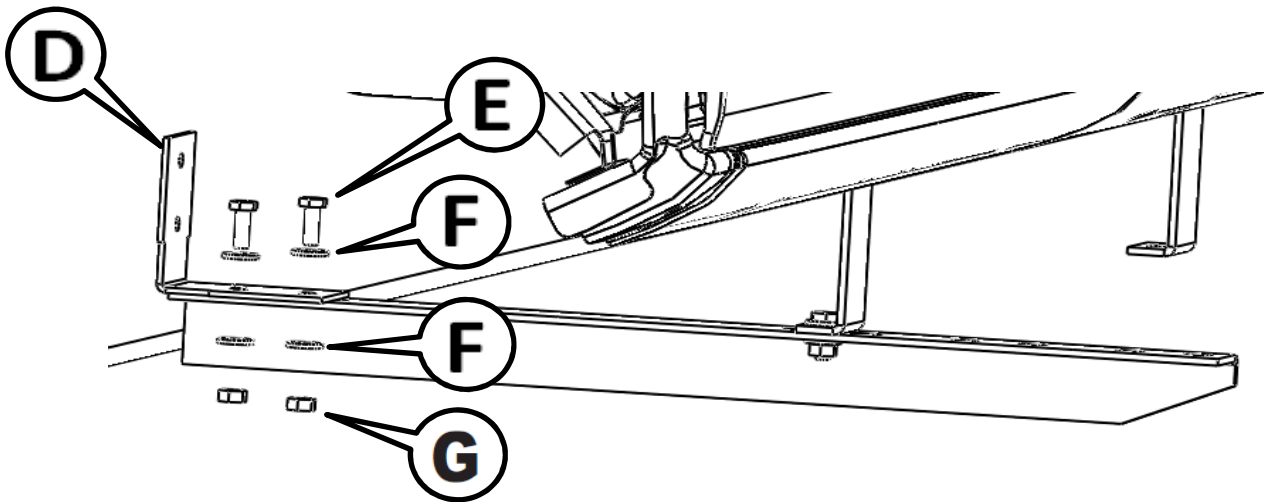


- 5** Once the rocker panel brackets are installed, attach the angle braces to the bottom of the brackets through the long slot in the angle brace using a hex head bolt [E], two washers [F], and a nut [G]. Do not completely tighten at this time.



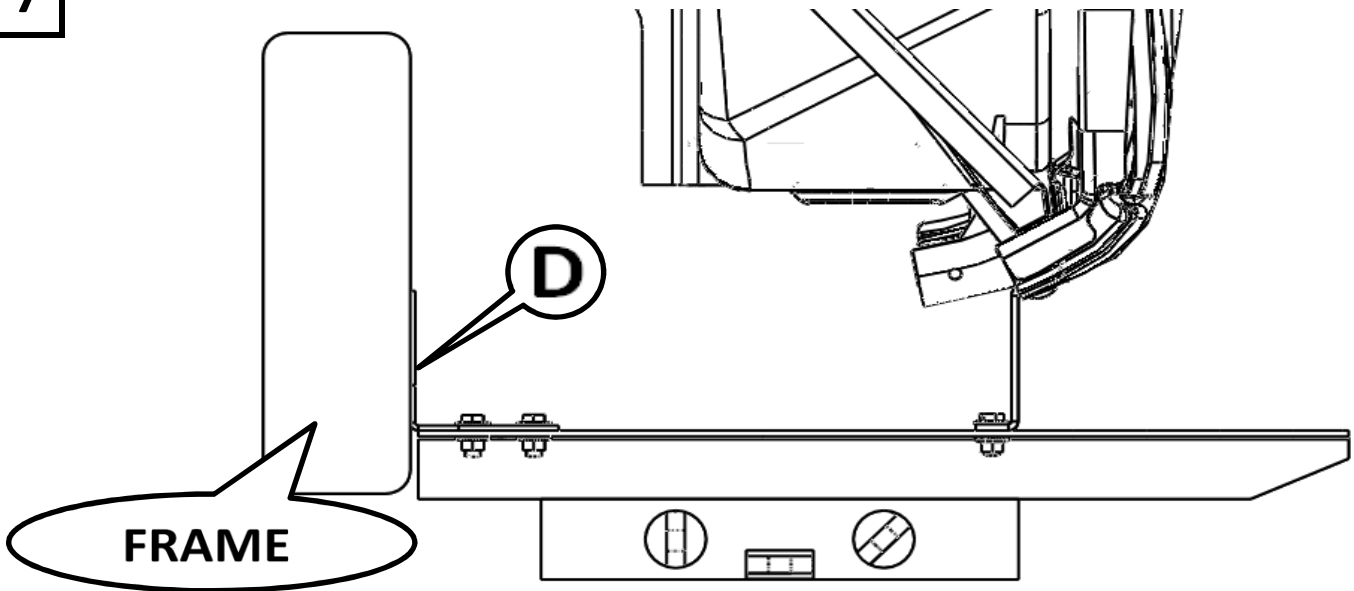
Repeat this for each bracket location.

- 6** Attach the frame bracket [D] to the angle brace using two hex head bolt [E], four washer [F], and two nuts [G]. Do not completely tighten at this time.



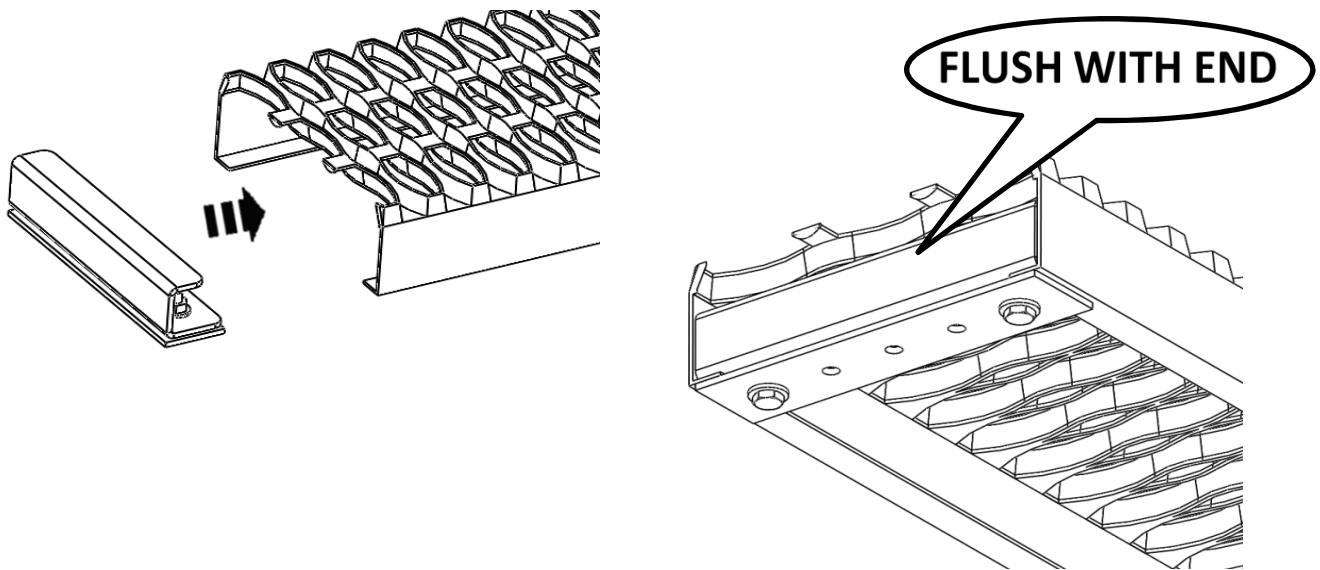


- 7** Use a level to set the angle brace parallel to the ground. Clamp the frame bracket [D] to the frame.



Repeat this step for each bracket location.

- 8** Slide the pre-assembled end cap into the end of the board [A] until the end cap is flush with the end of the board. The end cap must be inside the board and the strap bracket outside the board. Tighten the bolts with a 7/16" wrench and socket.

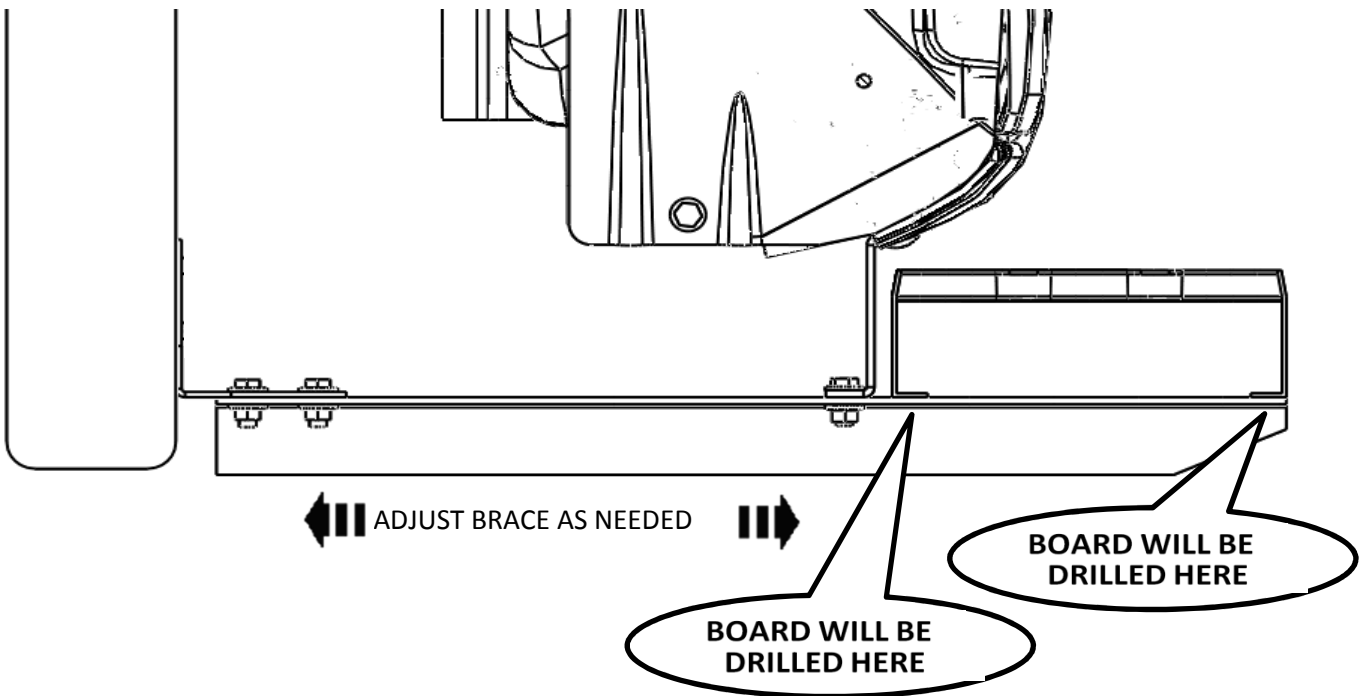


Repeat this for the other end of the board.

If you do not have the end caps already assembled, refer to the instructions included with the running boards.

9

Place the running board on the angle braces. Adjust the angle braces as needed to insure that holes can be drilled through the bottom of the board to attach it to the braces.

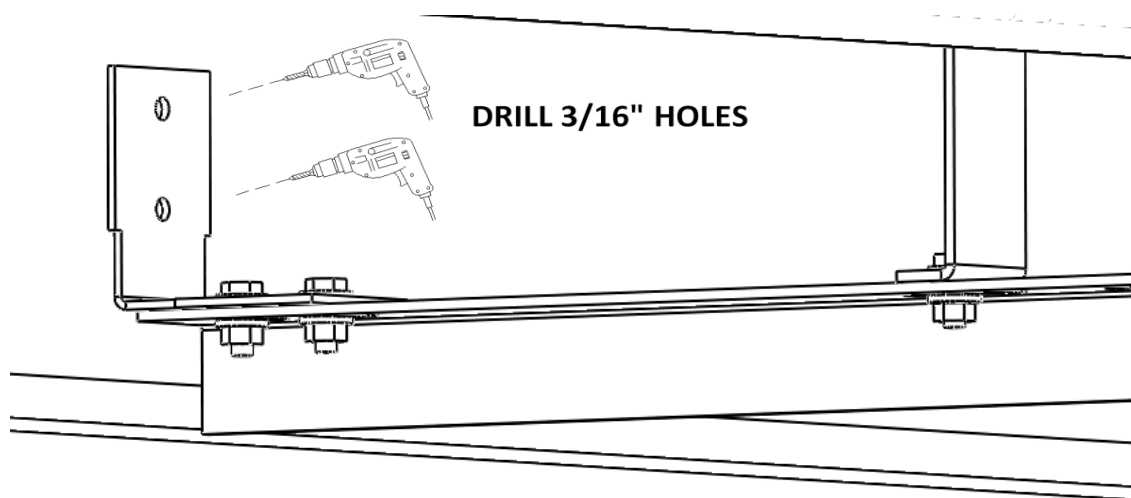


Do not remove the clamps holding the frame bracket [F] to the frame.

10

Once the angle braces are in the correct location, tighten the angle brace to the rocker panel brackets and the frame brackets using a 7/16" socket and wrench.

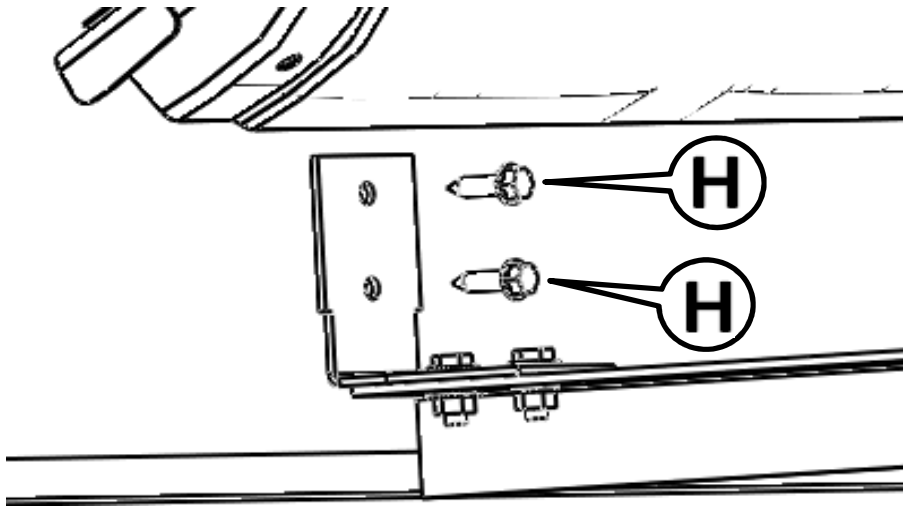
Then drill 3/16" holes in the frame through the holes in the frame bracket



Repeat this step for each bracket location.

**11**

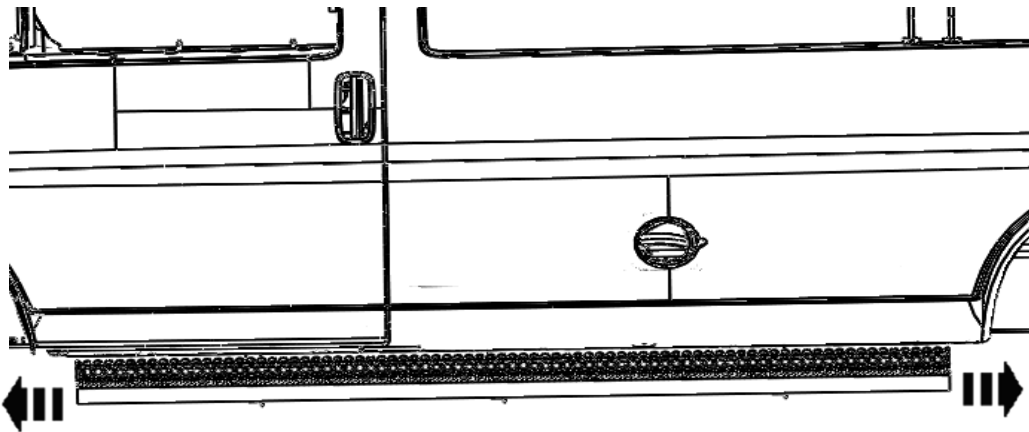
Attach the frame bracket to the frame using two sheet metal screws [H] using a 3/8" socket.



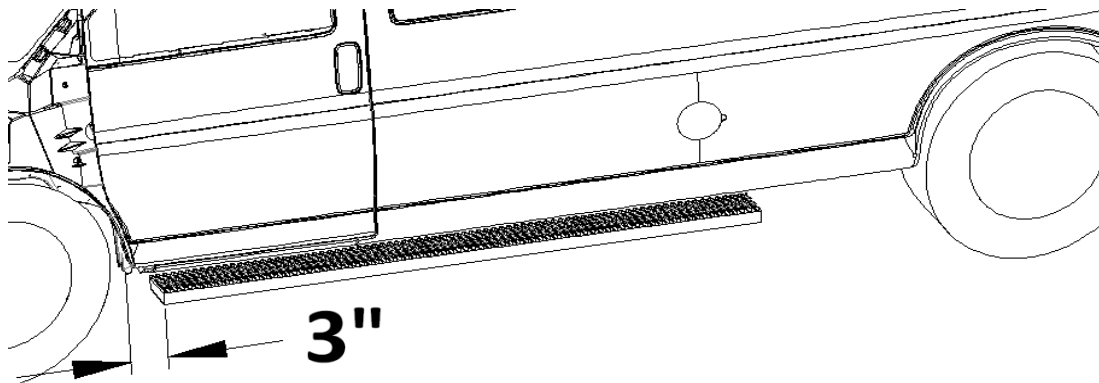
Remove the clamps holding the frame bracket [F] to the frame.  
Repeat this step for each bracket location.

**12**

Use a tape measure to center the board between the wheel wells for the 135" wheel base van.

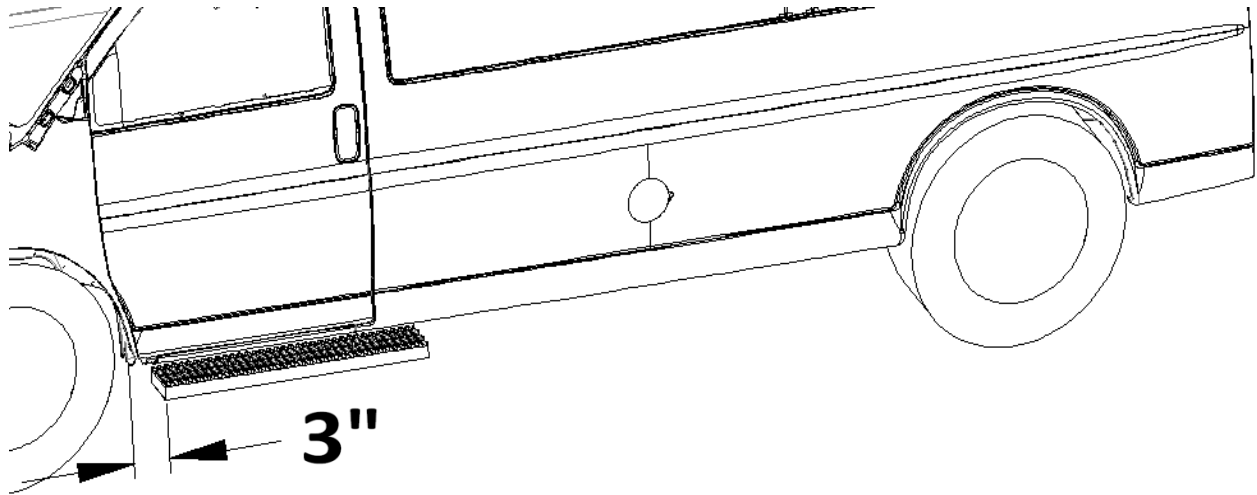


For the 155" wheel base van, set the board location 3" from the front wheel well.



Once the board is in the proper location, clamp the running board to the angle braces.

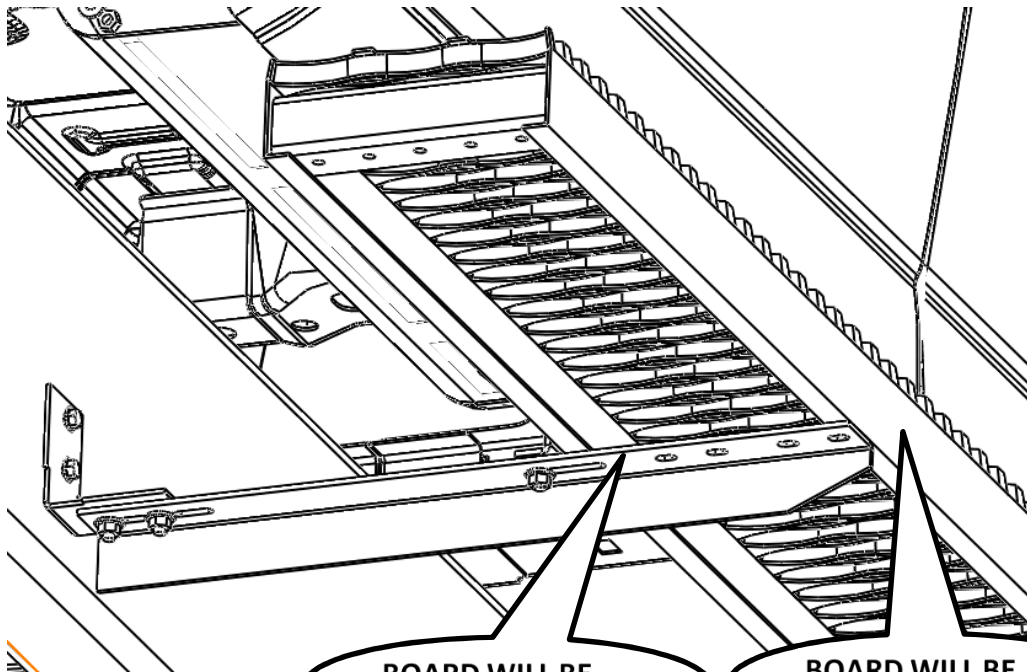
For the front doors only board, set the board location 3" from the front wheel well.



Once the board is in the proper location, clamp the running board to the angle braces.

**14**

Drill 1/4" holes up through the slots into the board at the locations shown below.

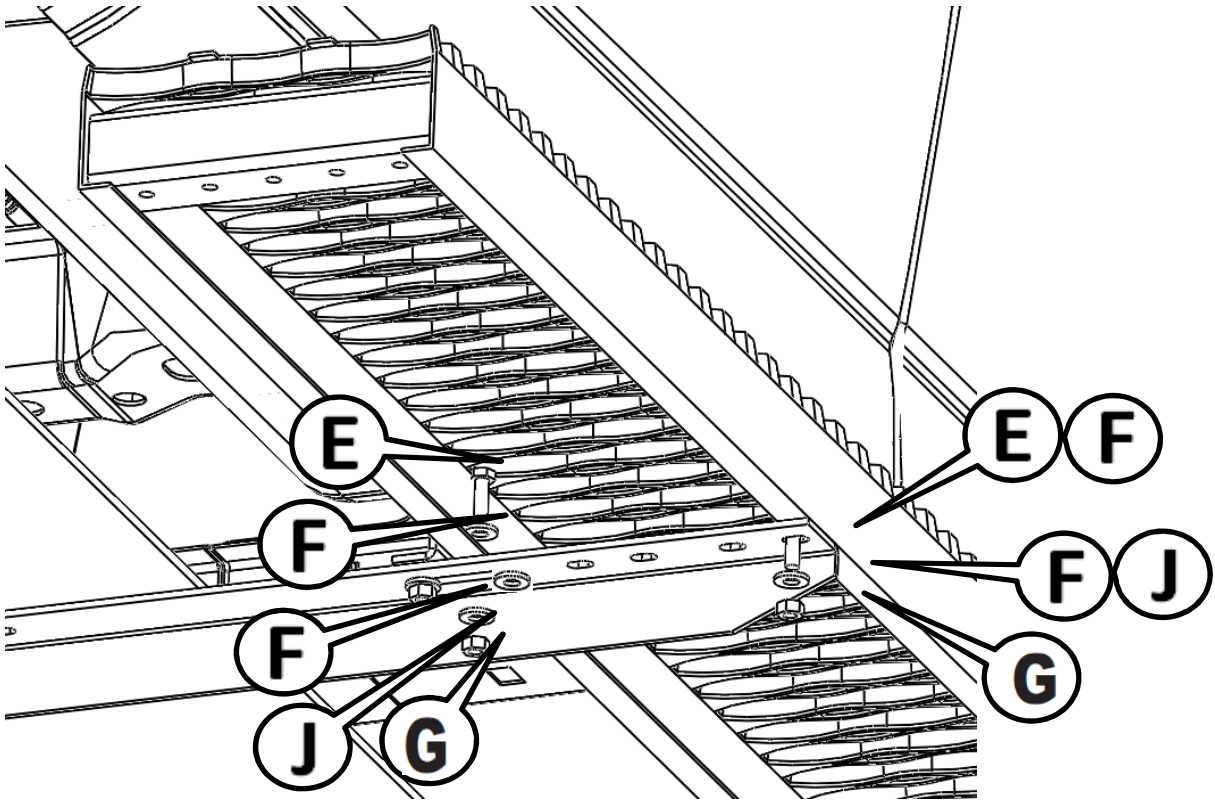


**BOARD WILL BE  
DRILLED HERE**

**BOARD WILL BE  
DRILLED HERE**

**Drill with a  
1/4" Drillbit**

- 13** Attach the running board to the angle brace using the hex head bolt [E], 1/4" flat washer [F], 1/4" lock washer [J], and 1/4" hex nut [G].  
Tighten using a 7/16" wrench and socket.



Check all hardware to make sure it has been tightened.  
Repeat the assembly steps for the other side of the vehicle.