



1-800-779-2102

Mon – Thurs: 8:00am - 5:00pm | Friday: 8:00am - 4:00pm CST

INSPECT YOUR PRODUCT FOR DAMAGE & MISSING PARTS BEFORE PROCEEDING TO INSTALLATION

PROCEDURE FOR RETURNS OR MISSING HARDWARE

-PLEASE CONTACT THE ORIGINAL POINT OF PURCHASE FOR:
SHIPPING DAMAGE, RETURNS, OR WARRANTY CLAIMS

-CONTACT DEE ZEE DIRECTLY FOR MISSING PARTS OR HARDWARE

WWW.DEEZEE.COM

REGISTER YOUR PRODUCT ONLINE: www.deezee.com/registration

VIEW INSTRUCTIONS ONLINE: www.deezee.com/instructions

⚠ WARNING: Cancer and Reproductive Harm
www.P65Warnings.ca.gov

Operating, servicing, and maintaining a passenger vehicle can expose you to chemicals such as lead, phthalates, engine exhaust, and carbon monoxide that are known to the State of California cause cancer and birth defects or other reproductive harm. To minimize exposure, service your vehicle and its accessories in a well-vented area and wear gloves or wash your hands frequently.



DEE ZEE, INC. WARRANTY AGREEMENT

Dee Zee, Inc. guarantees the original purchaser a limited lifetime warranty against manufacturer defects in materials, workmanship, and design under normal use, excluding damage resulting from road hazards such as gravel or other debris, product misuse, improper installation, impairments from accidents, product modifications, improper repairs, spills, vandalism, product neglect, or acts of God.

This warranty applies only to the original purchaser of new product(s) and is limited to the replacement of genuine Dee Zee products. Modification of any kind to Dee Zee products voids all warranty coverage. Warranty does not include electrical components, installation, cost of removal, labor, transportation costs, loss of use, inconvenience, or consequential damages.

WARRANTY COVERAGE - MATERIALS & WORKMANSHIP

LIMITED LIFETIME WARRANTY:

- STAINLESS STEEL: Side Steps, Grill Guards, Bull Bars, Bed Caps, and Side Rails
- ALUMINUM: Side Steps, Running Boards, Storage Boxes, Transfer Tanks, Bed Protection, Side Rails, Invis-A-Racks, and Cab Racks
- PLASTIC: Storage Boxes
- OTHER: Front and Rear Bumpers

THREE-YEAR WARRANTY:

- POWDER-COATED / E-COATED STEEL: Side Steps, Running Boards, Storage Boxes, Transfer Tanks, Cab Racks, Sport Bar Ladder Racks, Cargo Carriers, Mounting Brackets (NX, Rough Step, and Bumper Guards only)
- OTHER: Tailgate Assist, Bed Mats, Floor Mats, Auxiliary Fuel Connection Kits, and All Products Not Otherwise Listed Individually

WARRANTY COVERAGE – FINISH PROTECTION

The finish of all Dee Zee products is covered for one-year (1) from the date of purchase. Dee Zee products have a high quality finish that must be cared for and maintained like any other exposed finish on the vehicle. Protect the finish with non-abrasive automotive wax (e.g. Pure Carnauba) on a regular basis. Applying soaps, polishes, or waxes that contain an abrasive compound may scratch the finish and leave the exposed material susceptible to corrosion.

WARRANTY COVERAGE – COMPONENT PARTS

Operational items such as shocks, latches, hinges, and wear items including, but not limited to, mud flaps, step pads, toolbox tray, end caps, hardware, seals, etc. have a one-year (1) warranty. Replacement component parts can be ordered via credit card (MasterCard or VISA) by calling 1-800-779-2102. All replacement parts are non-returnable and non-refundable.

GPI® FUEL PUMPS & ACCESSORIES

All Great Plains Industries (GPI) products, including transfer tank pumps and fuel meters are covered by GPI's warranty policies. Dee Zee's warranty terms do not apply to GPI products. To submit a warranty claim, please contact GPI at 1-800-835-0113 or visit www.gpi.net.

WARRANTY SUBMISSION PROCEDURE

All warranty claims will be initiated at the place of purchase. The original purchaser will be required to present the original sales receipt with purchase date shown and provide photographs of the defect.

In the event the originally purchased product style is no longer available, Dee Zee will warranty the defective part with a current equivalent. If a comparable product is no longer available, the product would be returned to the store of purchase for a refund or the applicable cost difference can be paid to choose an alternate style.

DISCLAIMER

All products are sold as appearance accessories and should not be relied upon as protection for the vehicle or its occupants in the event of an accident. Vehicles equipped with a supplemental restraints system (air bags) deployed by impact and collision avoidance systems should not be modified in any way. Always consult the vehicle manufacturer if you have any questions regarding supplemental restraint systems and sensors.

Buyer must accommodate front and rear sensors during product installation and assumes all risk should these be tampered, rerouted, severed, or disconnected. This includes disabling visual, audio, or vibration alerts into the cab. Buyer assumes all risk and responsibility for wiring any supplemental auxiliary lights.

Buyer assumes all risk, liability, and cost for the installation and use of Dee Zee products. Dee Zee, Inc. assumes no liability for injury, loss, incidental or consequential damages in the event of an accident.



Thank you for choosing Dee Zee to add function and accessorize your vehicle. Dee Zee has been a staple brand in the truck accessory market since 1977 and we hold a reputation of quality manufacturing based in America's Heartland. Our products are born through careful engineering and backed by industry leading warranty programs. We appreciate the opportunity to serve you and your vehicle!

Review the instruction pages in their entirety to prepare the required tools

Warning: Please check for wiring or other obstructions before drilling any holes in the vehicle. If it is necessary to drill any holes, Dee Zee recommends putting a sealant or rust inhibitory around all holes drilled into the body of the vehicle.

It is the sole responsibility of the vehicle owner to check for tire clearance. It is unlawful and dangerous to ride on any external vehicle step while the vehicle is in motion.

Cleaning: To be entitled to all warranty rights offered with the product, Dee Zee steps need to be cleaned regularly with a mild detergent. Do NOT use abrasive cleaners. For stainless steel products, the application of a high grade automotive wax is recommended.



Dee Zee Cares - Please Recycle

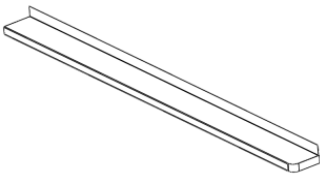
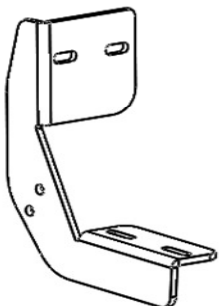
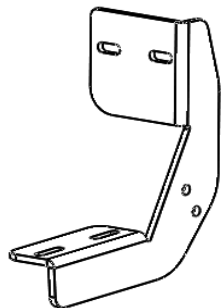
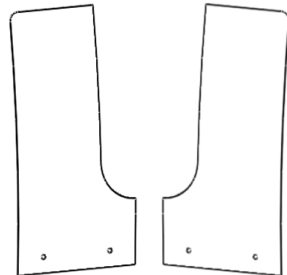
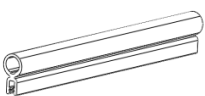
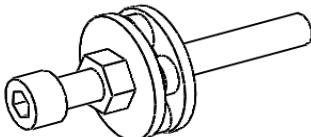
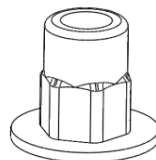
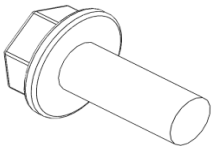

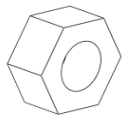
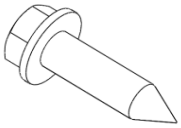
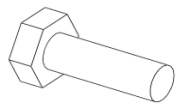
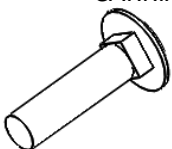
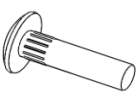
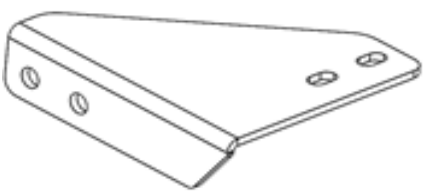
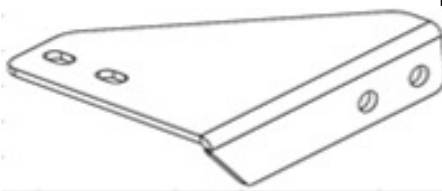

For an electronic version of these instructions visit: www.deezee.com/instructions

Register your product online: www.deezee.com/registration

Dee Zee Brite Tread Running Board Installation Instruction

DZ 3031, DZ 3032, DZ 3033

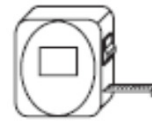
(2013 - Current) Dodge Ram Regular, Quad, Crew Cab

<p>A RUNNING BOARD</p>  <p>VARIES X2</p>	<p>B RH BRACKET</p>  <p>REG CAB X2 B 2373RP X3</p>	<p>C LH BRACKET</p>  <p>REG CAB X2 B 2373LP X3</p>	<p>D MUD FLAP</p>  <p>FP0311P X1 FP0312P X1</p>
<p>E BULB GASKET</p>  <p>GSK-41 VARIES</p>	<p>F NUTSERT SET TOOL</p>  <p>PN 685 X1</p>	<p>G 8mm HEX NUTSERT</p>  <p>REG CAB X8 PN 686 X12</p>	<p>H 8mm X 25mm FLANGE HEAD BOLT</p>  <p>REG CAB X16 PN 525 X24</p>
<p>I 1/4" FLAT WASHER</p>  <p>REG CAB X24 PN 72 X32</p>	<p>J 1/4" HEX NUT</p>  <p>REG CAB X20 PN 71 X28</p>	<p>K SHEET METAL SCREW</p>  <p>PN 97 X4</p>	<p>L 1/4 X 3/4" HEX HEAD BOLT</p>  <p>PN 70 X4</p>
<p>M 1/4" SQ NECK CARRIAGE BOLT</p>  <p>REG CAB X8 PN 1093 X12</p>	<p>N 1/4 X 1" RIB NECK CARRIAGE BOLT</p>  <p>REG CAB X8 PN 87 X12</p>	<p>O LEFT SUPPORT BRACKET</p>  <p>REG CAB X2 B 2267LP X3</p>	
<p>P RIGHT SUPPORT BRACKET</p>  <p>REG CAB X2 B 2267RP X3</p>		<p>Q 8mm X 20mm FLANGE HEAD BOLT</p>  <p>REG CAB X8 PN 526 X12</p>	

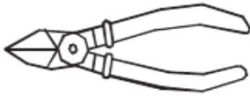
TOOLS REQUIRED

WRENCH/RATCHET
3/8", 7/16"
13mm

TAPE
MEASURE



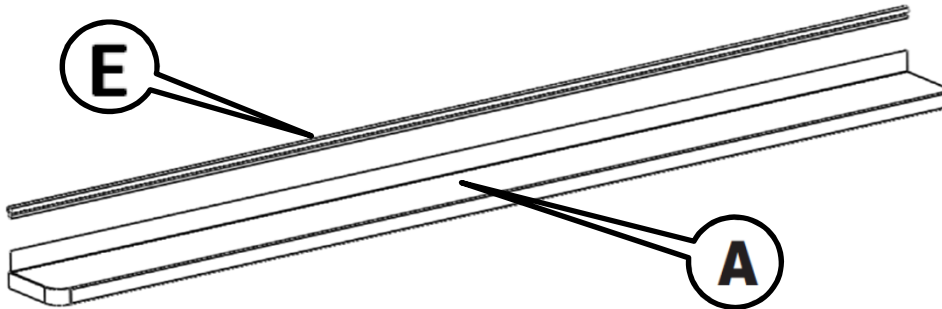
TIN SNIPS



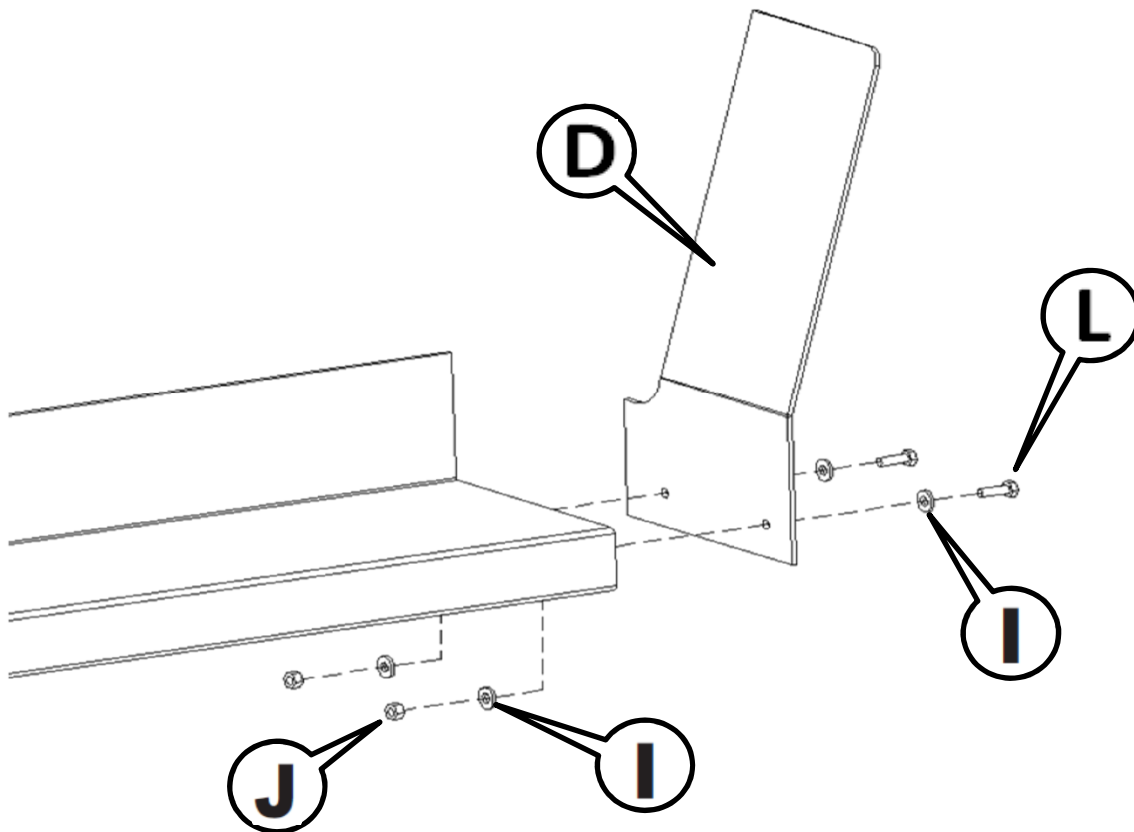
M6 ALLEN

1/4"
DRILL BIT

- 1** Place the bulb-seal gasket [E] onto the backlip of the running board [A]. Cut the bulb-seal gasket with tin snips so that it is flush with the ends of the board

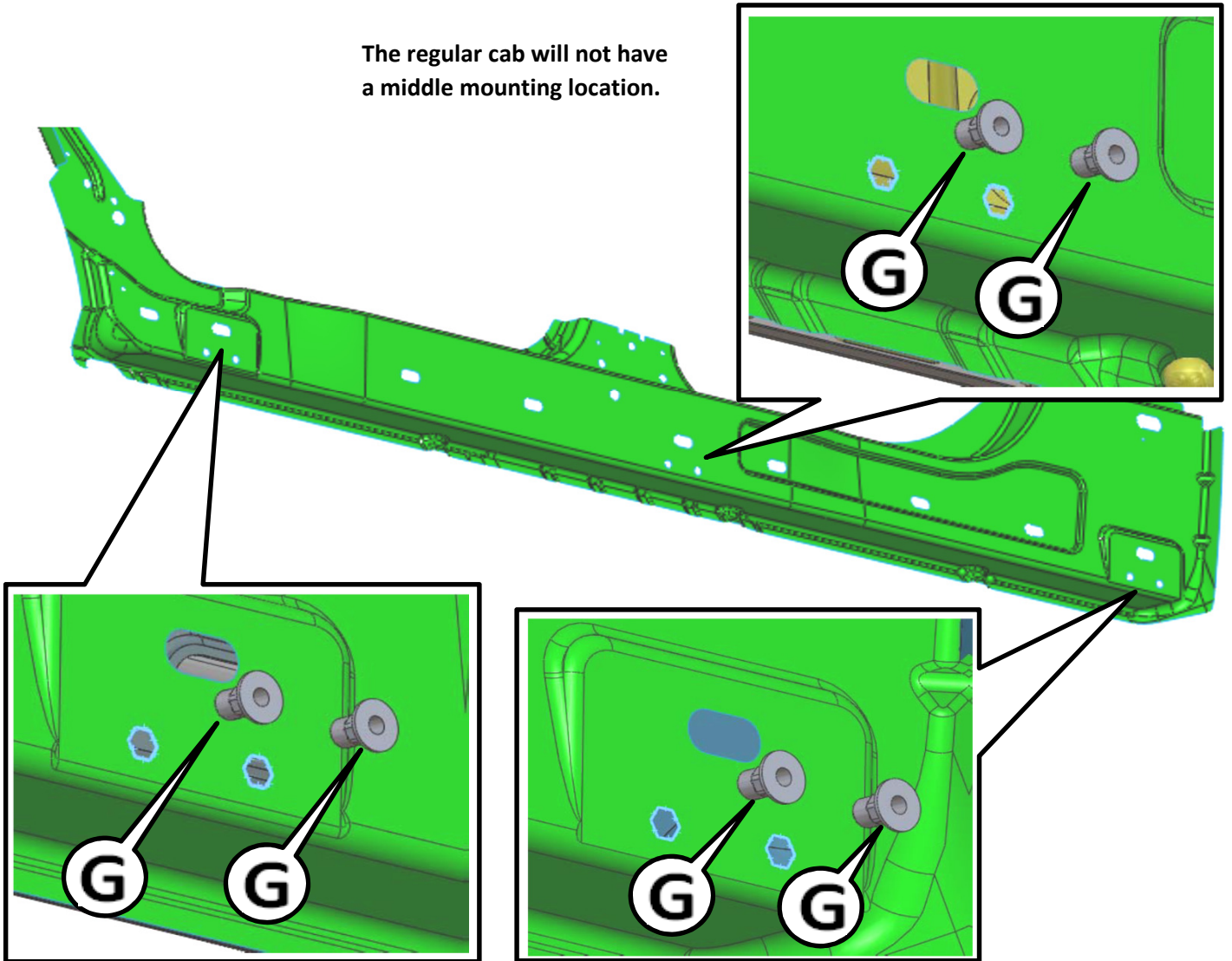


- 2** Loosely attach the mud flap [D] to the end of the running board using the 1/4" x 3/4" hex head bolt [L], the 1/4" flat washer [I], and the 1/4" hex nut [J].



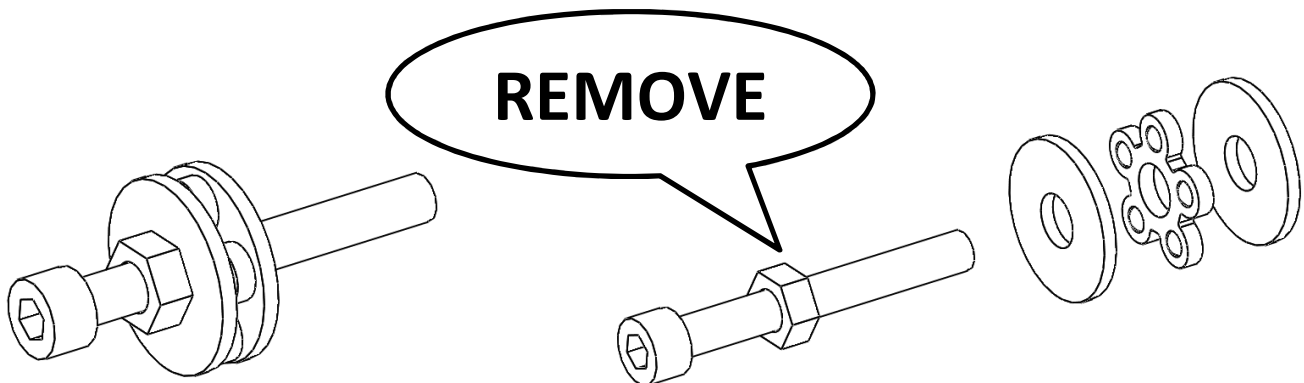
3 Locate the hexagon shaped holes on the inside of the rocker panel. There will be two holes at each mounting location. The passenger side is shown below. Insert an 8mm nutsert [G] at each location. The front of the vehicle is to the left of the picture.

The regular cab will not have a middle mounting location.



NOTE: SOME VEHICLES WILL ALREADY HAVE WELD NUTS IN THE FRONT MOUNTING LOCATIONS. THE WELD NUTS WILL BE USED IN THE FRONT INSTEAD OF THE NUTSERTS. INSTALL NUTSERTS IN THE REMAING HOLES.

4 Because the nutserts are being installed in a hexagon shaped hole, the nut on the set tool [D] is not required. Remove the washers and bearing plate, then remove the nut from the bolt.

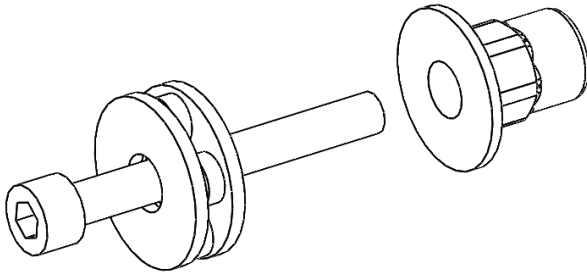


5

Replace the washers and bearing plate.

Thread the bolt into a nutsert and tighten with an M6 allen to set the nutsert.

Torque the nutserts to the specification below to insure they are set correctly.

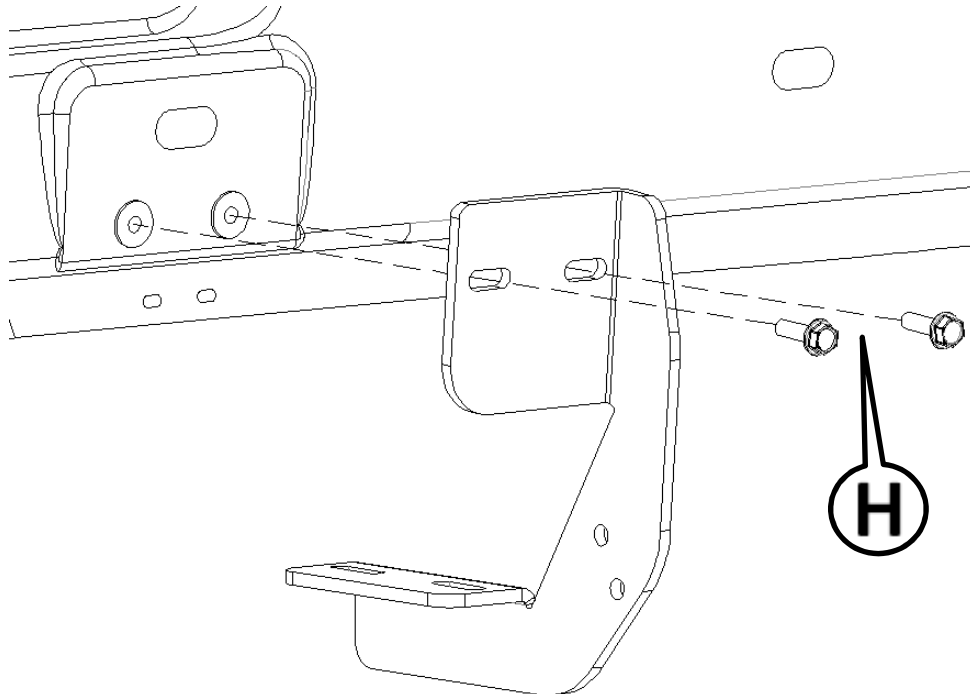


6

Thread 2 of the 8mm x 25mm bolts [H] through the slots in the braces into the nutserts.

Do not completely tighten.

Repeat at each brace mounting location.



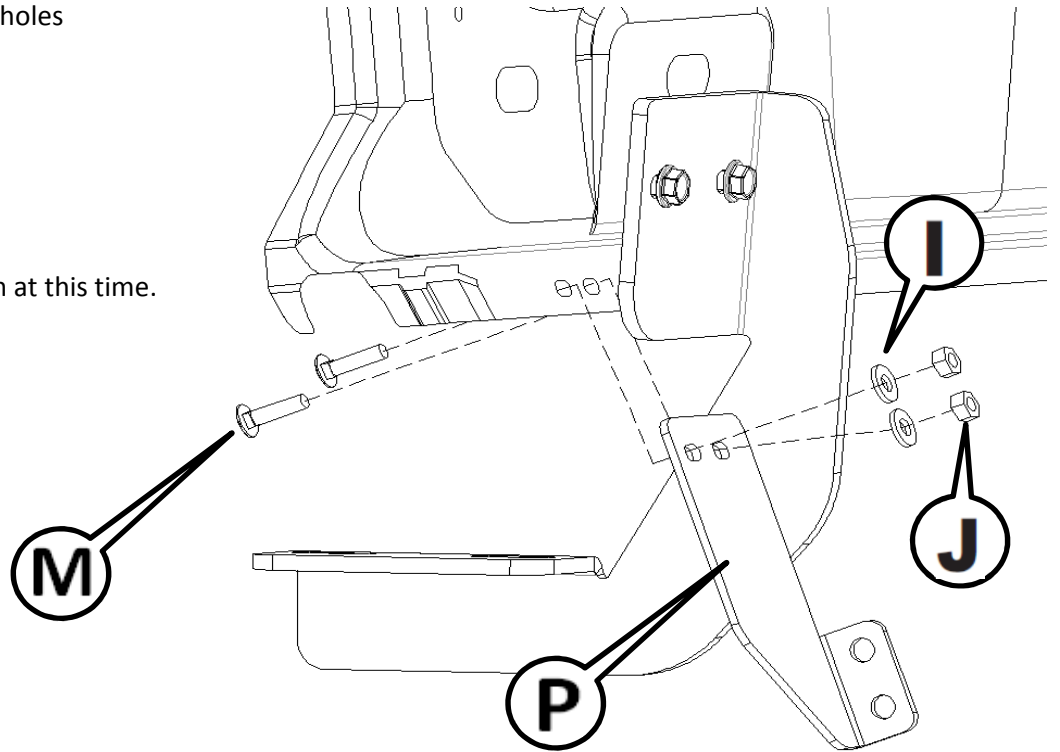
7 Using two of the sq neck carriage bolts [M], two 1/4" washers [I] and two 1/4" nuts [J],

loosely attach the support bracket [P] to the pinch weld on the truck.

The bent flange with two holes

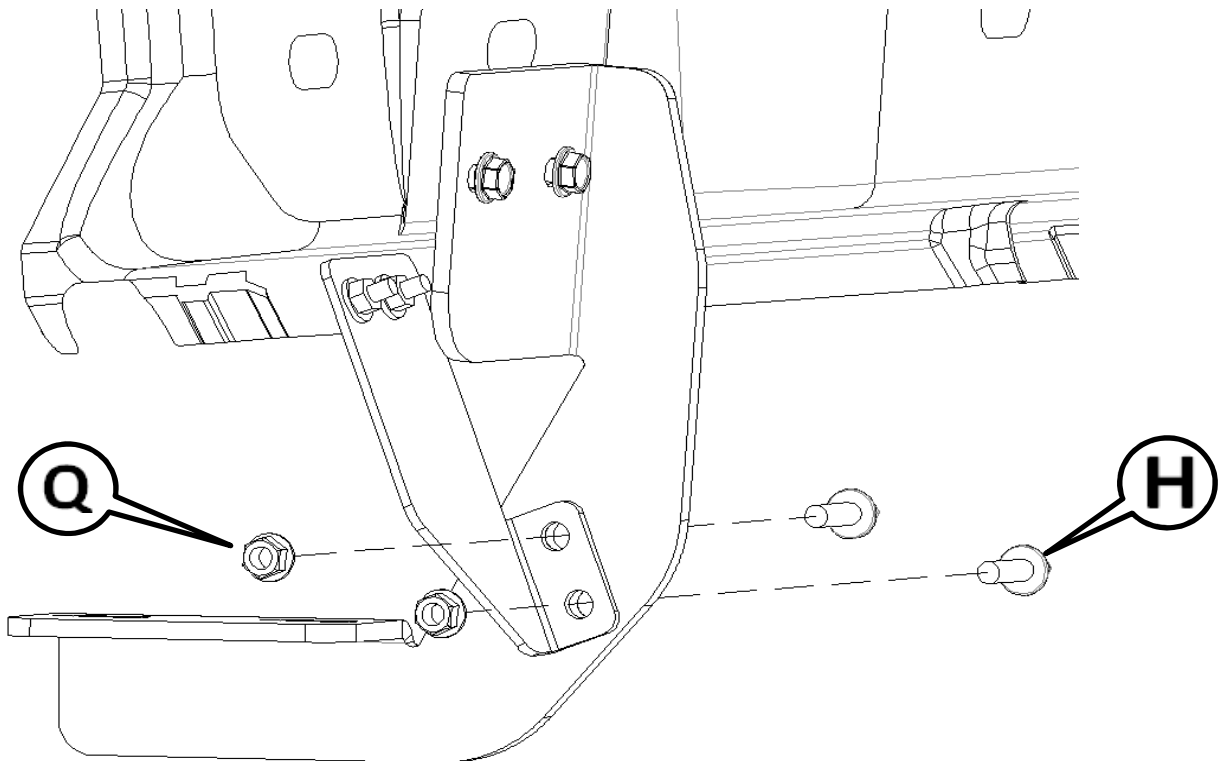
Din it should be point up.

Do not completely tighten at this time.

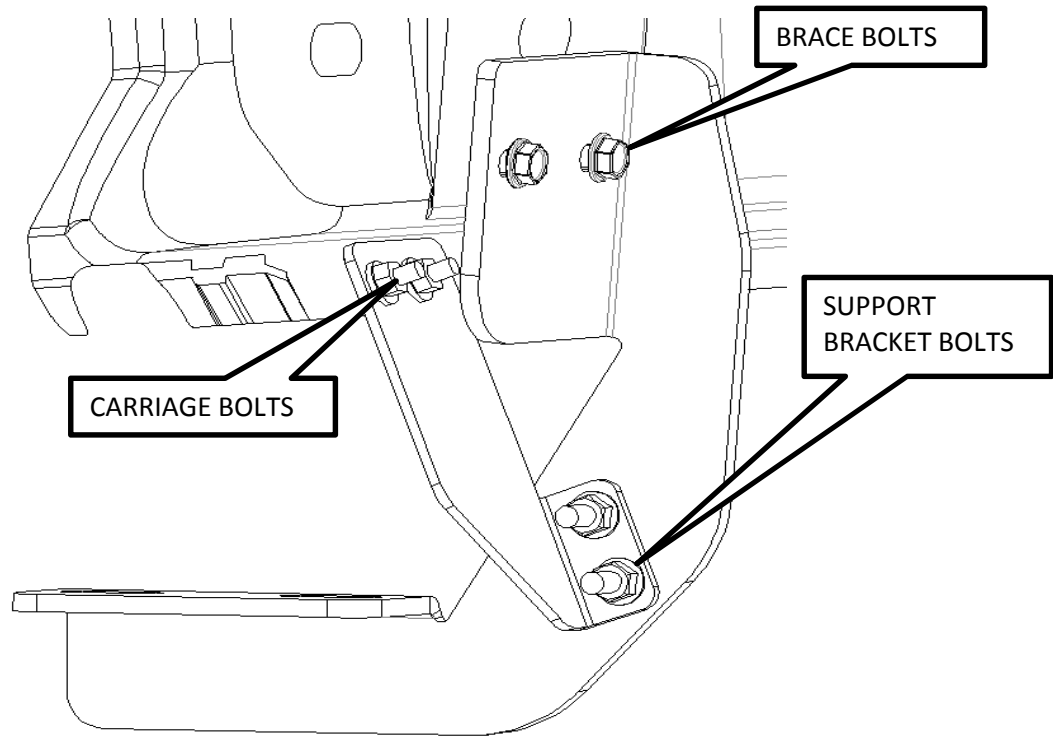


7 Attach the support brace to the main brace using two of the 8mm x 25 mm bolts [H] and two of the 8mm flange nut [Q].

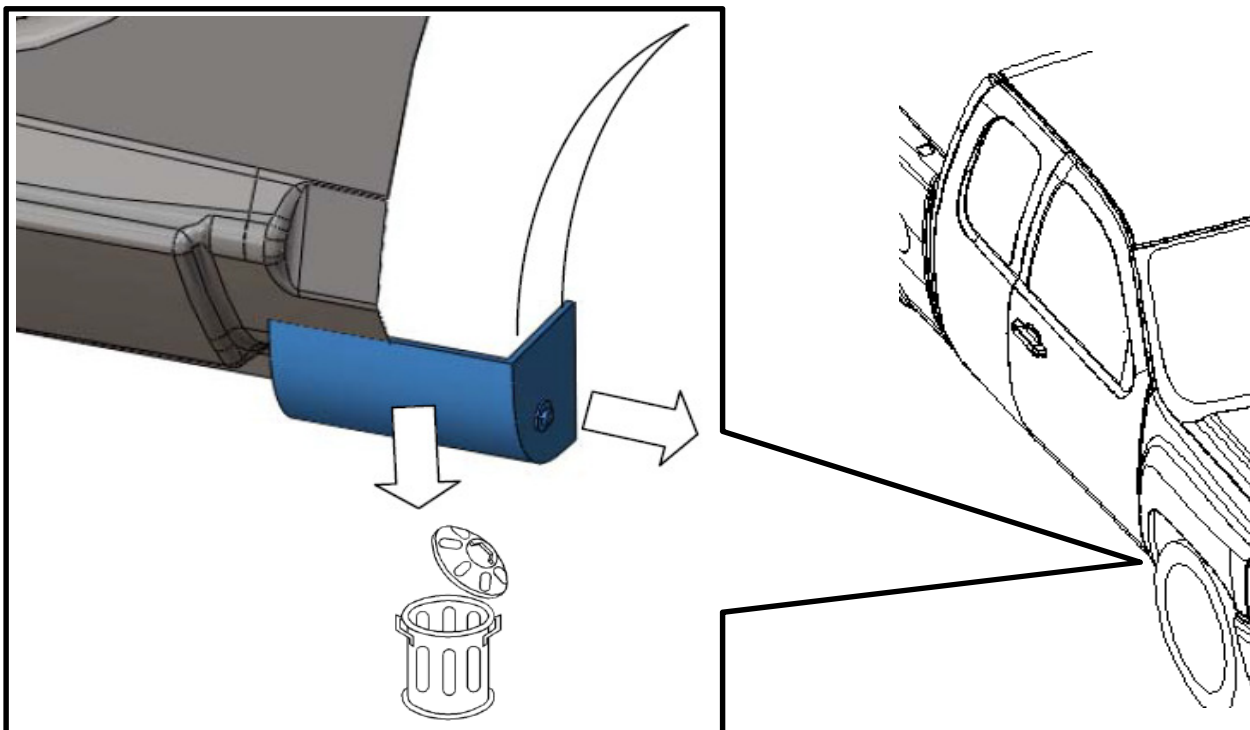
Do not tighten at this time. Repeat the support bracket installation for the other mounting locations.



- 8** Using a 13mm wrench/socket, tighten the bolts that attach the brace to the vehicle.
Using a 7/16" wrench/socket, tighten the carriage bolts attaching the support bracket to the vehicle.
Using a 13mm wrench/socket, tighten the bolts that attach the support bracket to the brace.
Repeat this step for all brace locations.

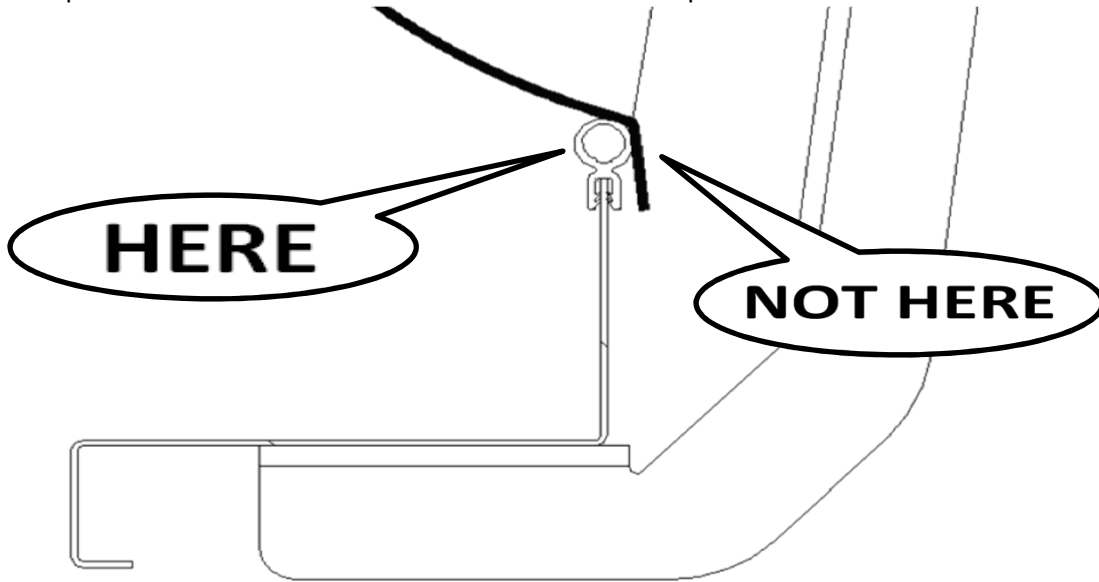


- 9** Remove and discard the small cladding located in front of the front door.



10

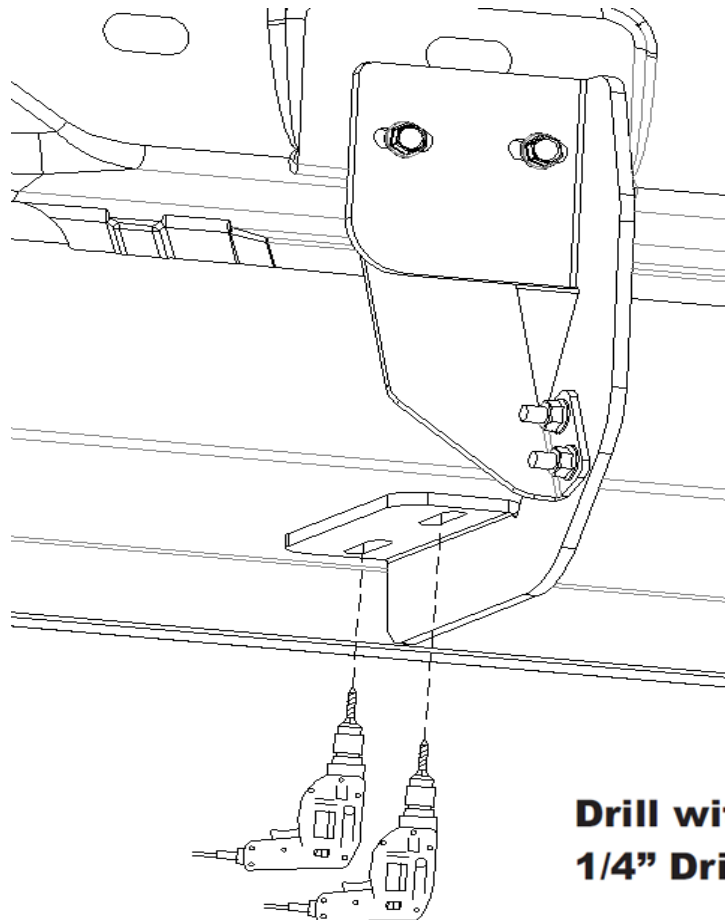
Place the running board on the braces with the bulb seal up against the rocker panel.
The back lip of the board must sit on the outside of the rocker panel.



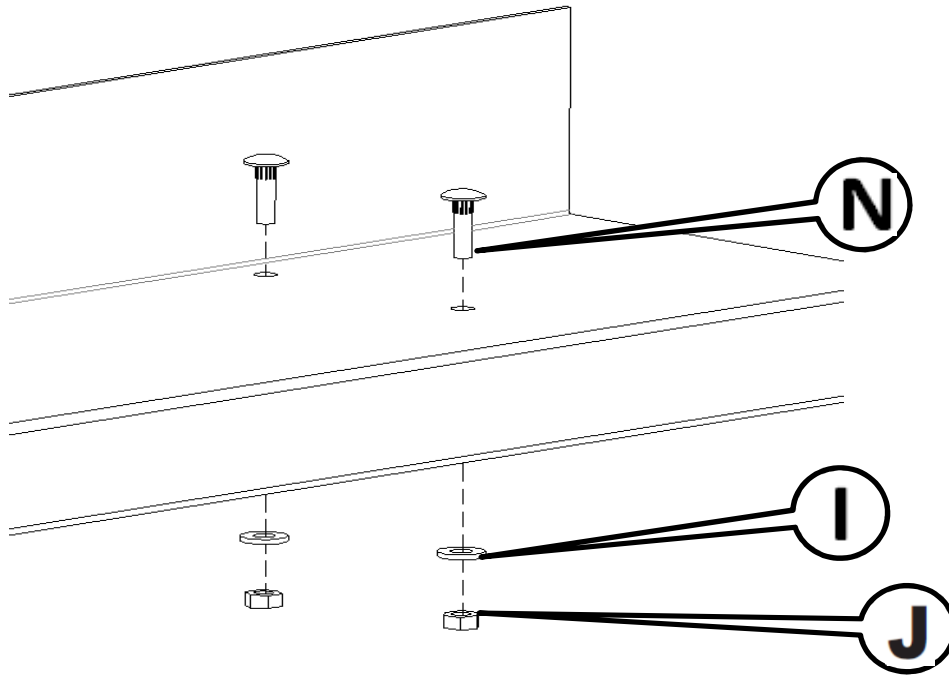
11

Align the board with the vehicle and **make sure that the mud flap is up against the wheel well.**

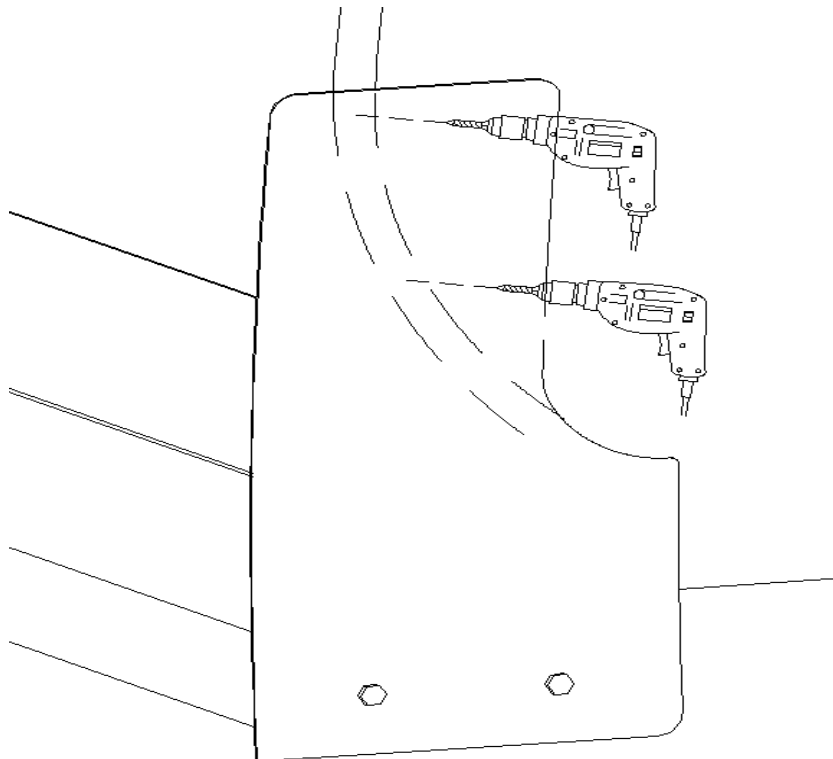
Using the slots in the brace as a guide, drill a 1/4" hole at each mounting location.



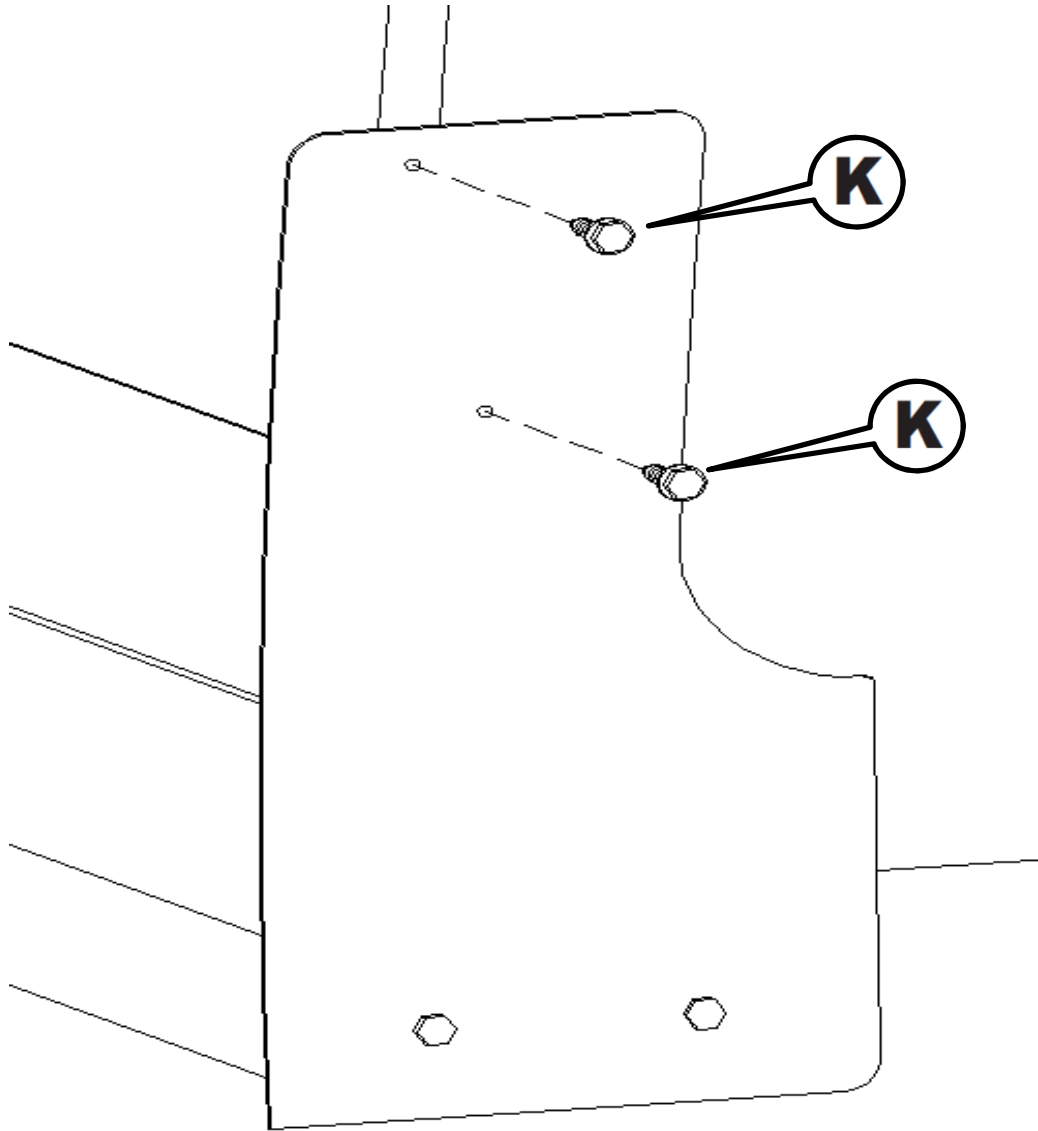
- 12** Attach the running board to the angle brace using the 1/4" x 1" ribneck carriage bolt [N], 1/4" flat washer [I], and 1/4" hex nut [J]. Tighten using a 7/16" wrench or deep well socket.



- 13** Align the flap with the wheel well and drill two 3/16" holes through the mudflap and the sheet metal of the inner fender well.



14 Attach the mudflap using two sheet metal screws [K].



Check to insure that all hardware has been tightened.
Repeat process for other side of vehicle.