



1-800-779-2102

Mon – Thurs: 8:00am - 5:00pm | Friday: 8:00am - 4:00pm CST

**INSPECT YOUR PRODUCT FOR DAMAGE & MISSING
PARTS BEFORE PROCEEDING TO INSTALLATION**

PROCEDURE FOR RETURNS OR MISSING HARDWARE

-PLEASE CONTACT THE ORIGINAL POINT OF PURCHASE FOR:
SHIPPING DAMAGE, RETURNS, OR WARRANTY CLAIMS

-CONTACT DEE ZEE DIRECTLY FOR MISSING PARTS OR HARDWARE

WWW.DEEZEE.COM

REGISTER YOUR PRODUCT ONLINE: www.deezee.com/registration

VIEW INSTRUCTIONS ONLINE: www.deezee.com/instructions

⚠️ WARNING: Cancer and Reproductive Harm
www.P65Warnings.ca.gov

Operating, servicing, and maintaining a passenger vehicle can expose you to chemicals such as lead, phthalates, engine exhaust, and carbon monoxide that are known to the State of California cause cancer and birth defects or other reproductive harm. To minimize exposure, service your vehicle and its accessories in a well-vented area and wear gloves or wash your hands frequently.



DEE ZEE, INC. WARRANTY AGREEMENT

Dee Zee, Inc. guarantees the original purchaser a limited lifetime warranty against manufacturer defects in materials, workmanship, and design under normal use, excluding damage resulting from road hazards such as gravel or other debris, product misuse, improper installation, impairments from accidents, product modifications, improper repairs, spills, vandalism, product neglect, or acts of God.

This warranty applies only to the original purchaser of new product(s) and is limited to the replacement of genuine Dee Zee products. Modification of any kind to Dee Zee products voids all warranty coverage. Warranty does not include electrical components, installation, cost of removal, labor, transportation costs, loss of use, inconvenience, or consequential damages.

WARRANTY COVERAGE - MATERIALS & WORKMANSHIP

LIMITED LIFETIME WARRANTY:

- **STAINLESS STEEL:** Side Steps, Grill Guards, Bull Bars, Bed Caps, and Side Rails
- **ALUMINUM:** Side Steps, Running Boards, Storage Boxes, Transfer Tanks, Bed Protection, Side Rails, Invis-A-Racks, and Cab Racks
- **PLASTIC:** Storage Boxes
- **OTHER:** Front and Rear Bumpers

THREE-YEAR WARRANTY:

- **POWDER-COATED / E-COATED STEEL:** Side Steps, Running Boards, Storage Boxes, Transfer Tanks, Cab Racks, Sport Bar Ladder Racks, Cargo Carriers, Mounting Brackets (NX, Rough Step, and Bumper Guards only)
- **OTHER:** Tailgate Assist, Bed Mats, Floor Mats, Auxiliary Fuel Connection Kits, and All Products Not Otherwise Listed Individually

WARRANTY COVERAGE – FINISH PROTECTION

The finish of all Dee Zee products is covered for one-year (1) from the date of purchase. Dee Zee products have a high quality finish that must be cared for and maintained like any other exposed finish on the vehicle. Protect the finish with non-abrasive automotive wax (e.g. Pure Carnauba) on a regular basis. Applying soaps, polishes, or waxes that contain an abrasive compound may scratch the finish and leave the exposed material susceptible to corrosion.

WARRANTY COVERAGE – COMPONENT PARTS

Operational items such as shocks, latches, hinges, and wear items including, but not limited to, mud flaps, step pads, toolbox tray, end caps, hardware, seals, etc. have a one-year (1) warranty. Replacement component parts can be ordered via credit card (MasterCard or VISA) by calling 1-800-779-2102. All replacement parts are non-returnable and non-refundable.

GPI® FUEL PUMPS & ACCESSORIES

All Great Plains Industries (GPI) products, including transfer tank pumps and fuel meters are covered by GPI's warranty policies. Dee Zee's warranty terms do not apply to GPI products. To submit a warranty claim, please contact GPI at 1-800-835-0113 or visit www.gpi.net.

WARRANTY SUBMISSION PROCEDURE

All warranty claims will be initiated at the place of purchase. The original purchaser will be required to present the original sales receipt with purchase date shown and provide photographs of the defect.

In the event the originally purchased product style is no longer available, Dee Zee will warranty the defective part with a current equivalent. If a comparable product is no longer available, the product would be returned to the store of purchase for a refund or the applicable cost difference can be paid to choose an alternate style.

DISCLAIMER

All products are sold as appearance accessories and should not be relied upon as protection for the vehicle or its occupants in the event of an accident. Vehicles equipped with a supplemental restraints system (air bags) deployed by impact and collision avoidance systems should not be modified in any way. Always consult the vehicle manufacturer if you have any questions regarding supplemental restraint systems and sensors.

Buyer must accommodate front and rear sensors during product installation and assumes all risk should these be tampered, rerouted, severed, or disconnected. This includes disabling visual, audio, or vibration alerts into the cab. Buyer assumes all risk and responsibility for wiring any supplemental auxiliary lights.

Buyer assumes all risk, liability, and cost for the installation and use of Dee Zee products. Dee Zee, Inc. assumes no liability for injury, loss, incidental or consequential damages in the event of an accident.



Thank you for choosing Dee Zee to add function and accessorize your vehicle. Dee Zee has been a staple brand in the truck accessory market since 1977 and we hold a reputation of quality manufacturing based in America's Heartland. Our products are born through careful engineering and backed by industry leading warranty programs. We appreciate the opportunity to serve you and your vehicle!

Review the instruction pages in their entirety to prepare the required tools

Warning: Please check for wiring or other obstructions before drilling any holes in the vehicle. If it is necessary to drill any holes, Dee Zee recommends putting a sealant or rust inhibitory around all holes drilled into the body of the vehicle.

It is the sole responsibility of the vehicle owner to check for tire clearance. It is unlawful and dangerous to ride on any external vehicle step while the vehicle is in motion.

Cleaning: To be entitled to all warranty rights offered with the product, Dee Zee steps need to be cleaned regularly with a mild detergent. Do NOT use abrasive cleaners. For stainless steel products, the application of a high grade automotive wax is recommended.

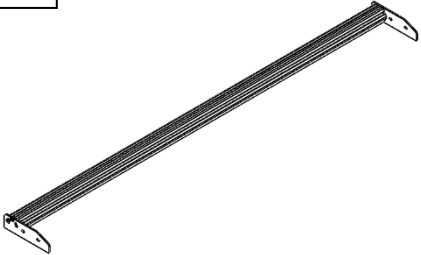
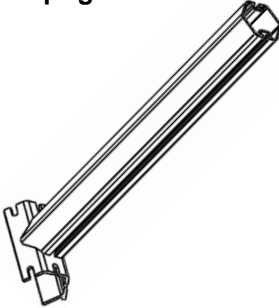
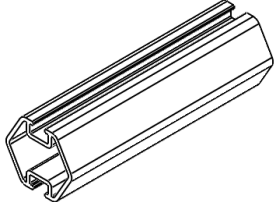
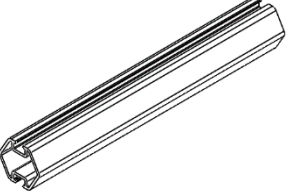
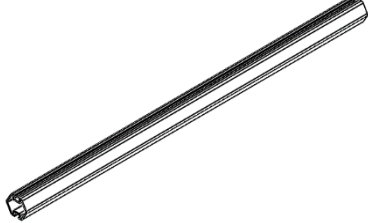
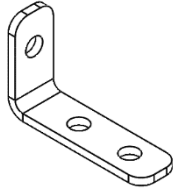
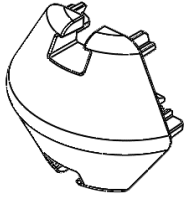

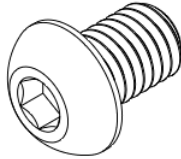
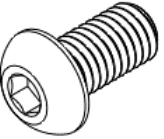
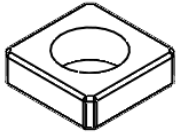

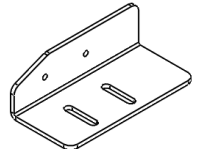
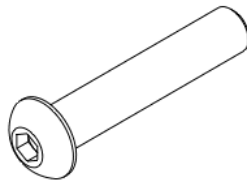
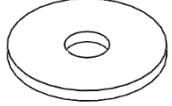
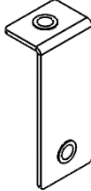
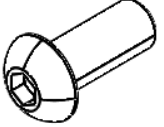


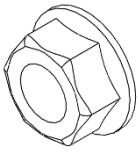
Dee Zee Cares - Please Recycle

For an electronic version of these instructions visit: www.deezee.com/instructions

Register your product online: www.deezee.com/registration

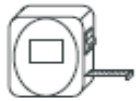
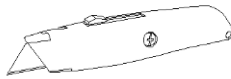
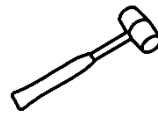
Hex Series Cab Rack Installation Instructions

<p>A Base</p>  <p>CBR 95250BASEW X1</p>	<p>B Upright</p>  <p>Varies X2</p>	<p>C 6 Inch Hex Tube</p>  <p>CBR 95250TOP X2</p>	
<p>D 12 Inch Hex Tube</p>  <p>CBR 9525BOT X2</p>	<p>E 33 Inch Hex Tube</p>  <p>CBR 95250CENTER X2</p>	<p>F L Bracket</p>  <p>B 2523P X16</p>	
<p>G Large Hex Endcap</p>  <p>EC DZE-608ASSY X2</p>	<p>H Small Hex Endcap</p>  <p>EC DZE-581ASSY X4</p>	<p>I 8mm X 12mm Button Head Bolt</p>  <p>PN 1260 X48</p>	
<p>J 8mm X 16mm Button Head Bolt</p>  <p>PN 1261 X12</p>	<p>K 8mm X 1.25 Square Nut</p>  <p>PN 1262 X60</p>	<p>L 1/4" Thin Washer</p>  <p>PN 843 X12</p>	<p>M Base Brace</p>  <p>Varies See page 5 X2</p>
<p>N 3/8 Bolt</p>  <p>PN 1286 X4</p>	<p>O Large Washer</p>  <p>PN 1290 X4</p>	<p>P Stake Pocket Bracket</p>  <p>Varies See page 6 X2</p>	<p>Q M8 X 20mm Button Head bolt</p>  <p>PN 1148 X4</p>

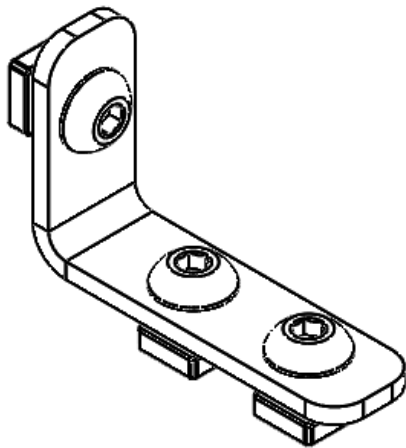
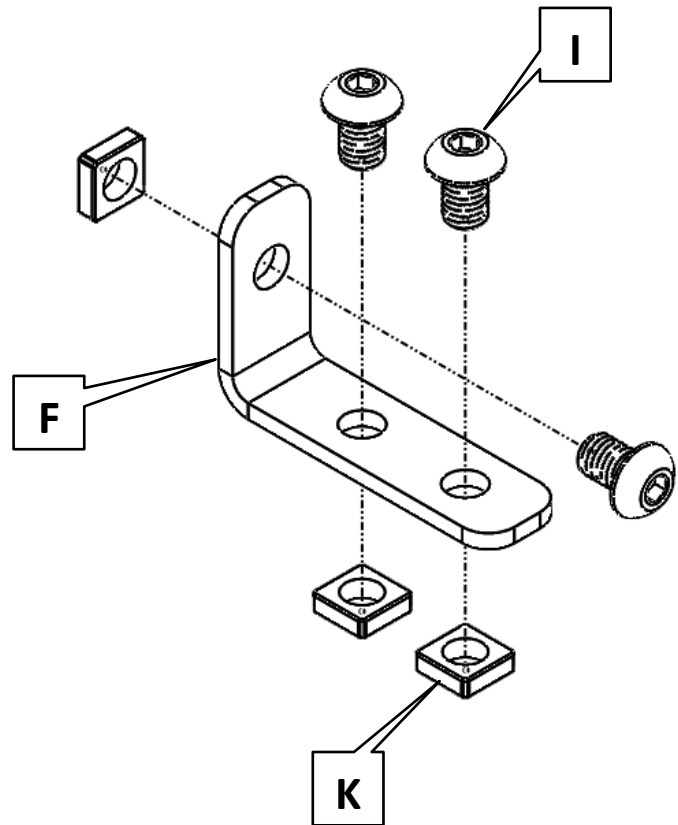
R**M8 Flange Nut**

PN 526

X4

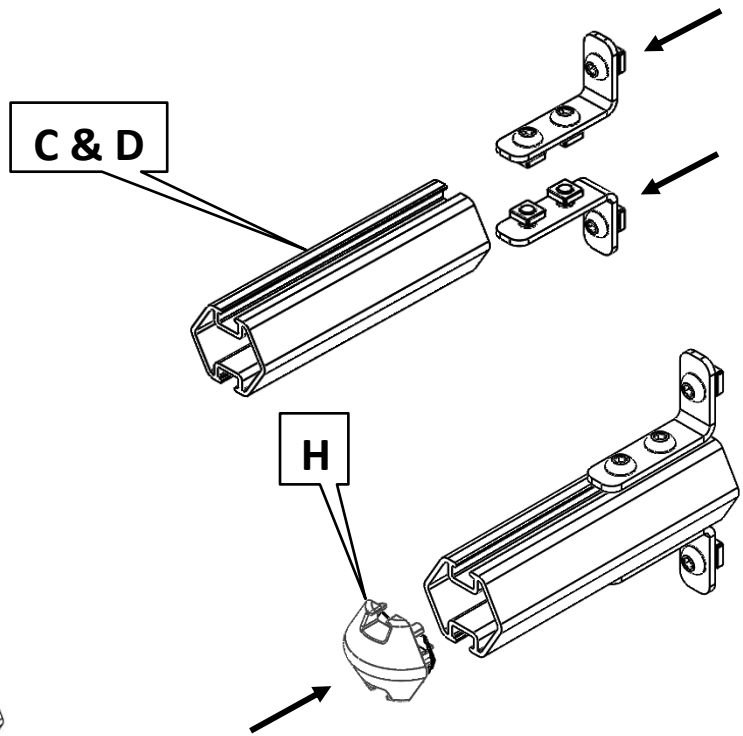
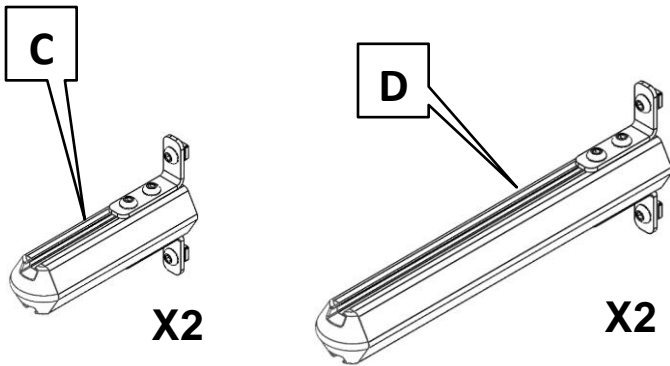
Tools Required
Allen Wrench
5mm

Tape Measure
Inches
**Utility Knife****Rubber Mallet****1****Bracket Assembly**

Install Hardware **(I)** Button Head Bolt, and **(K)** Square Nut onto the **(F)** L Brackets as shown. Turn Blots 2 times into the nuts.

**X16**

2 Bracket Mounting 6 Inch and 12 Inch Hex Tubes

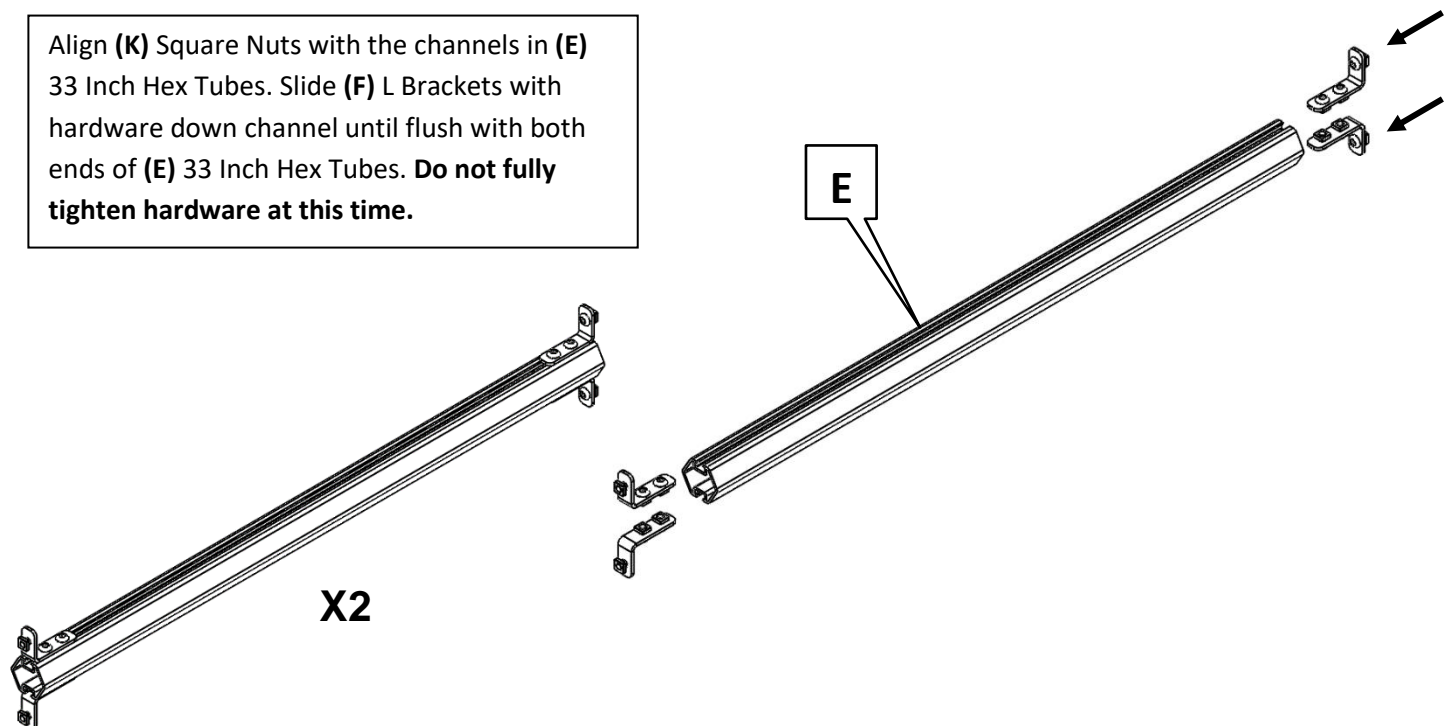
Align (K) Square Nuts with the channels in (C) 6 Inch Hex Tubes and (D) 12 Inch Hex Tubes. Slide (F) L Brackets with hardware down channel until flush with an end of (C) 6 Inch Hex Tube and (D) 12 Inch Hex Tubes. To finish off this step, Install (H) Small Hex Endcap by pressing it onto the end of the Tubes. **Do not fully tighten hardware at this time.**



Install endcaps (H) on the tubes (C&E) by first hand pushing them to set in place, then hitting them with a rubber mallet.

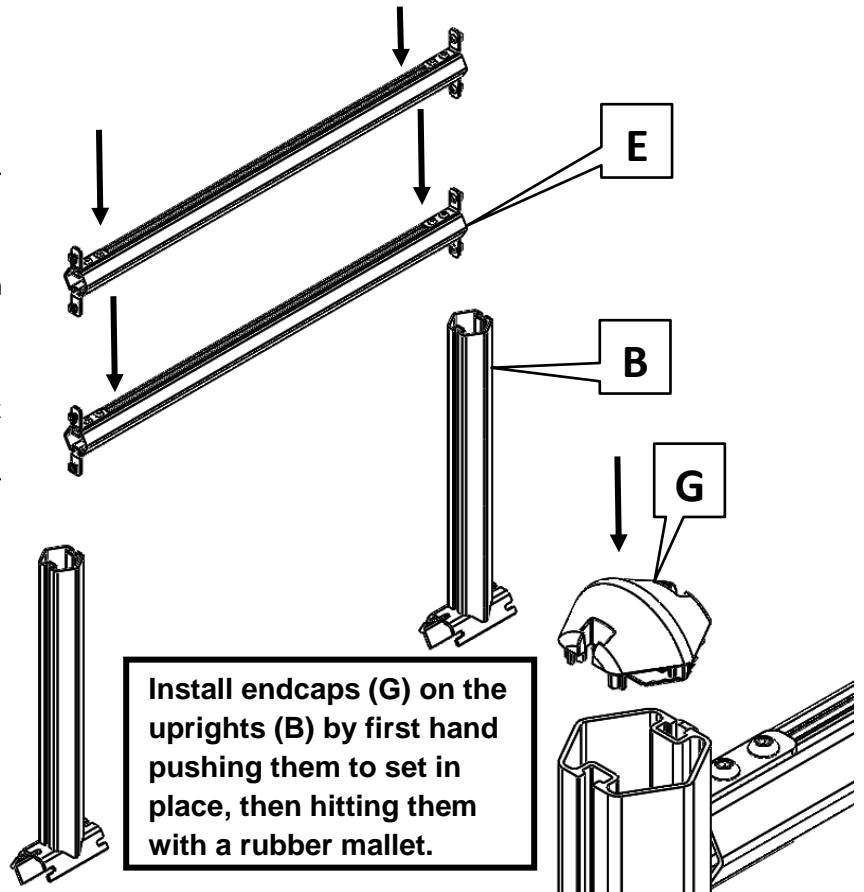
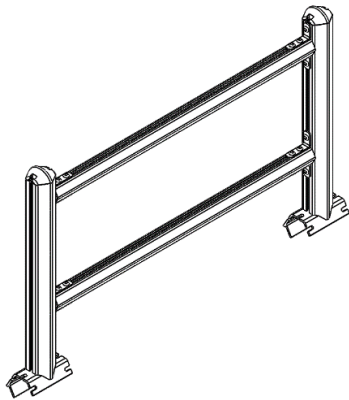
3 Bracket Mounting 33 Inch Hex Tubes

Align (K) Square Nuts with the channels in (E) 33 Inch Hex Tubes. Slide (F) L Brackets with hardware down channel until flush with both ends of (E) 33 Inch Hex Tubes. **Do not fully tighten hardware at this time.**



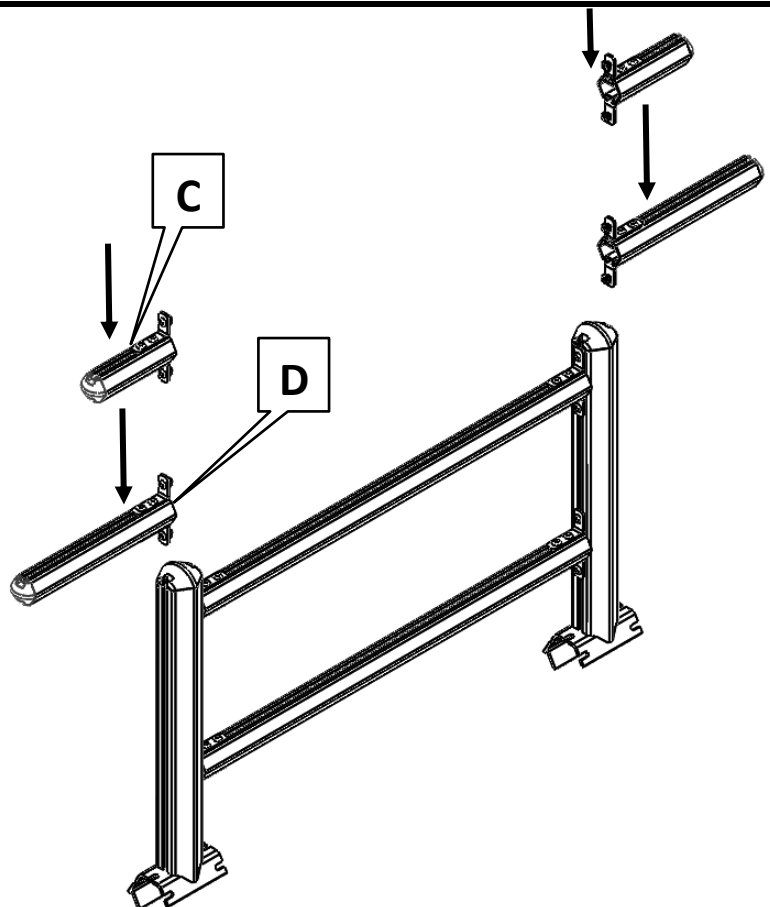
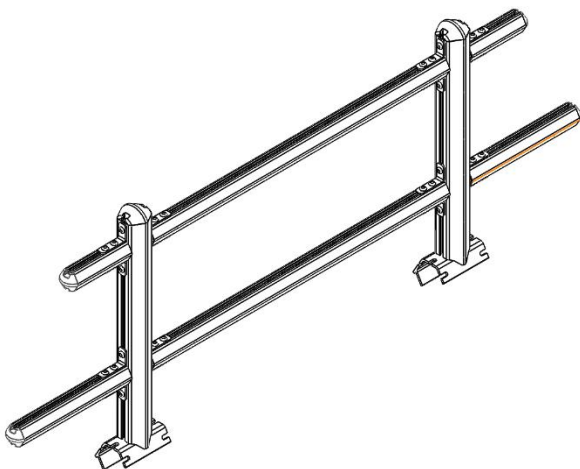
4 Mounting 33 Inch Hex Tubes to Uprights

Align (K) Square Nuts with the channels in (B) Uprights. Slide (F) L Brackets with hardware down channel until desired positions. To finish off this step, Install (G) Large Hex Endcap by pressing it into the end of the Uprights. Center, Level and fully tighten (E) 33 Inch Hex Tubes to (B) Uprights at this time.



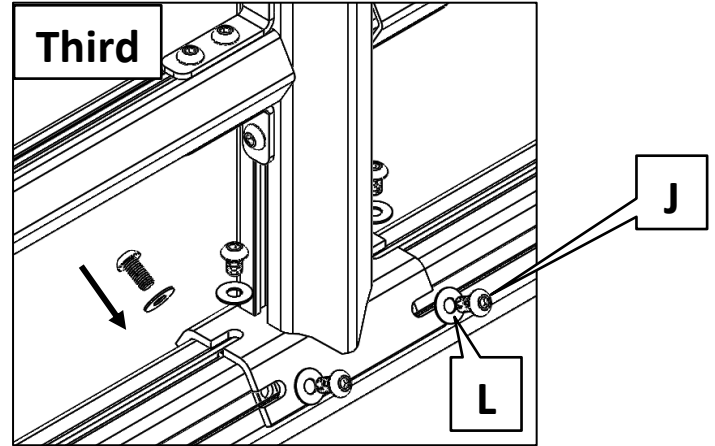
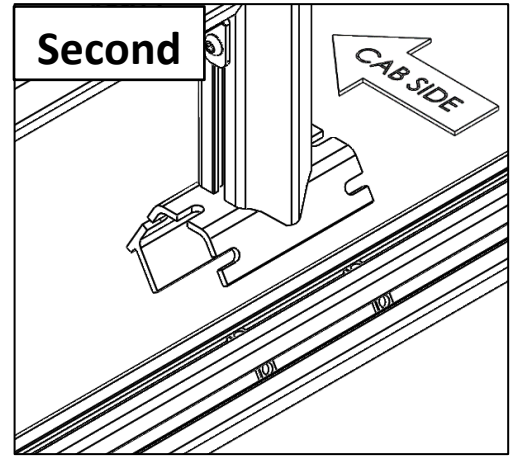
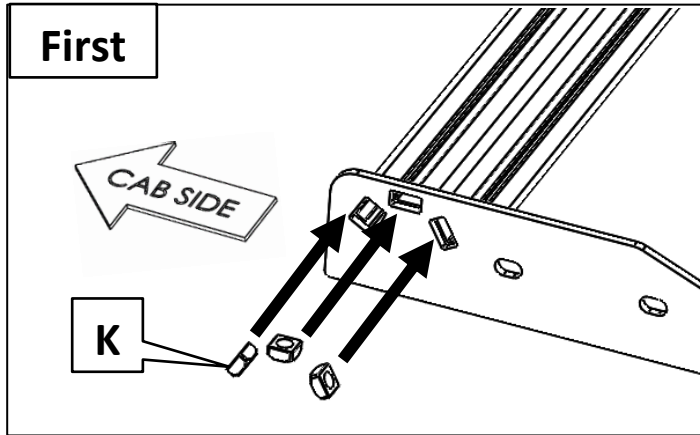
5 Mounting 12 Inch and 6 Inch Hex Tubes to Uprights

Align (K) Square Nuts with the channels in (D) 12 Inch Hex Tubes and (C) 6 Inch Hex Tubes. Slide (F) L Brackets with hardware down channel until level with (E) 33 Inch Hex Tubes. Level, fully tighten (D) 12 Inch Hex Tubes and (C) 6 Inch Hex Tubes to (B) Uprights at this time.



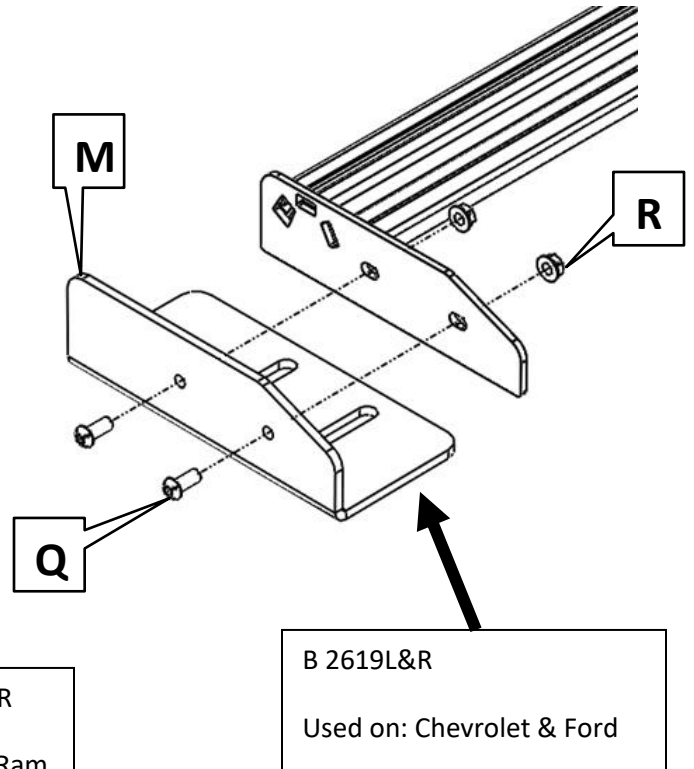
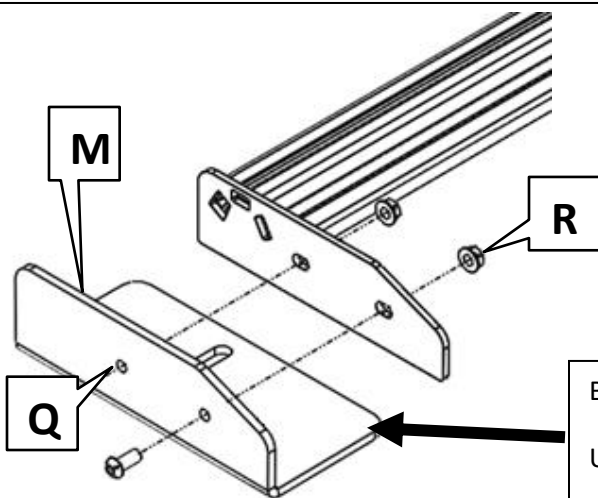
6 Mounting Uprights to Base

First install 4 (K) Square Nuts per channel into the three channels of (A) Base and slide (K) Square Nuts roughly where the slots of (B) Uprights will be. Then install (B) Uprights onto (A) Base. Start (J) Bolt and (L) Washer. **Do not fully tighten hardware at this time.**



7 Mounting Base Braces Assembly

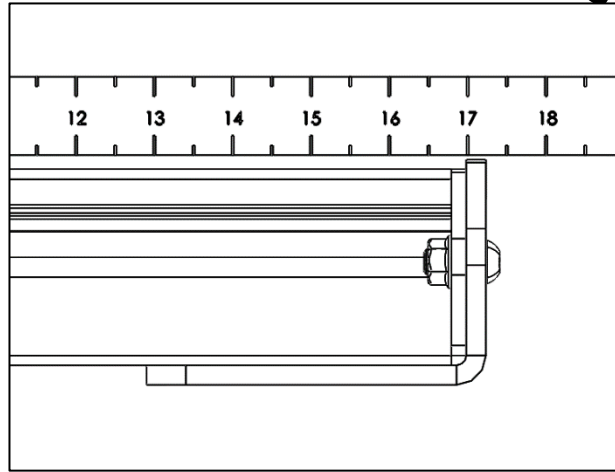
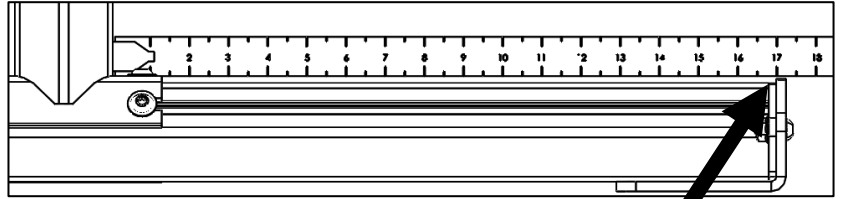
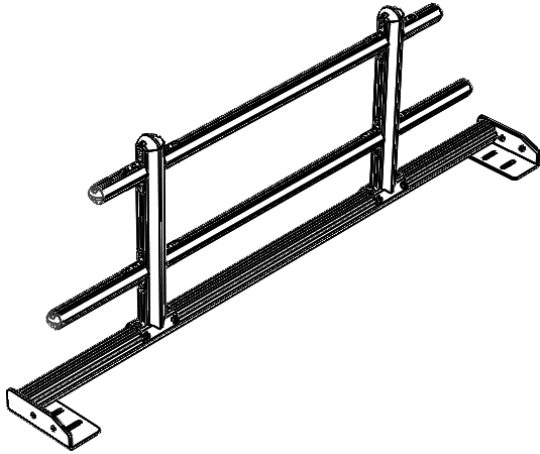
Install base brace (M) by placing braces on the Ends of the Base as shown. Then use Bolt (Q) and Nut (R) to attach. Repeat on other side **Fully Tighten Hardware at this time.**



8

Positioning Uprights to Base

Center (B) Uprights onto (A) Base by measuring approximately 17 Inches from the inside face of the base brace to the side of the upright. (As Shown) **Fully tighten all hardware at this time.**



8

Cab Rack Installation

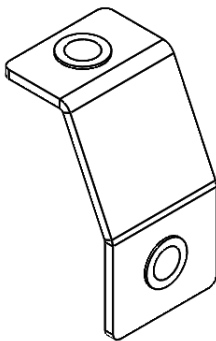
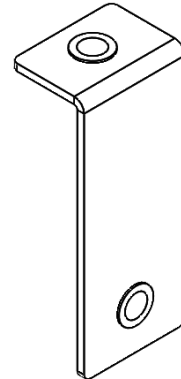
Brackets For Trucks (P)

Ford

B 2618PN

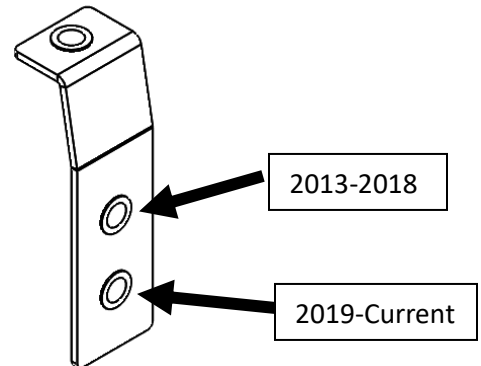
Chevrolet & GMC

B 2616PN



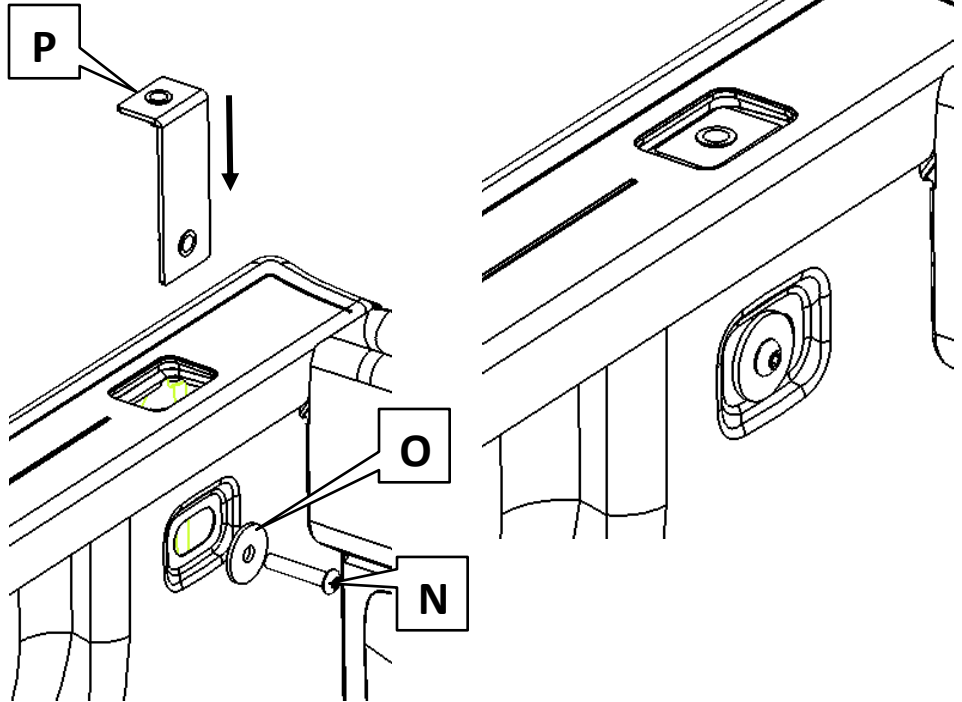
Ram

B 2617PN



9 Cab Rack Installation

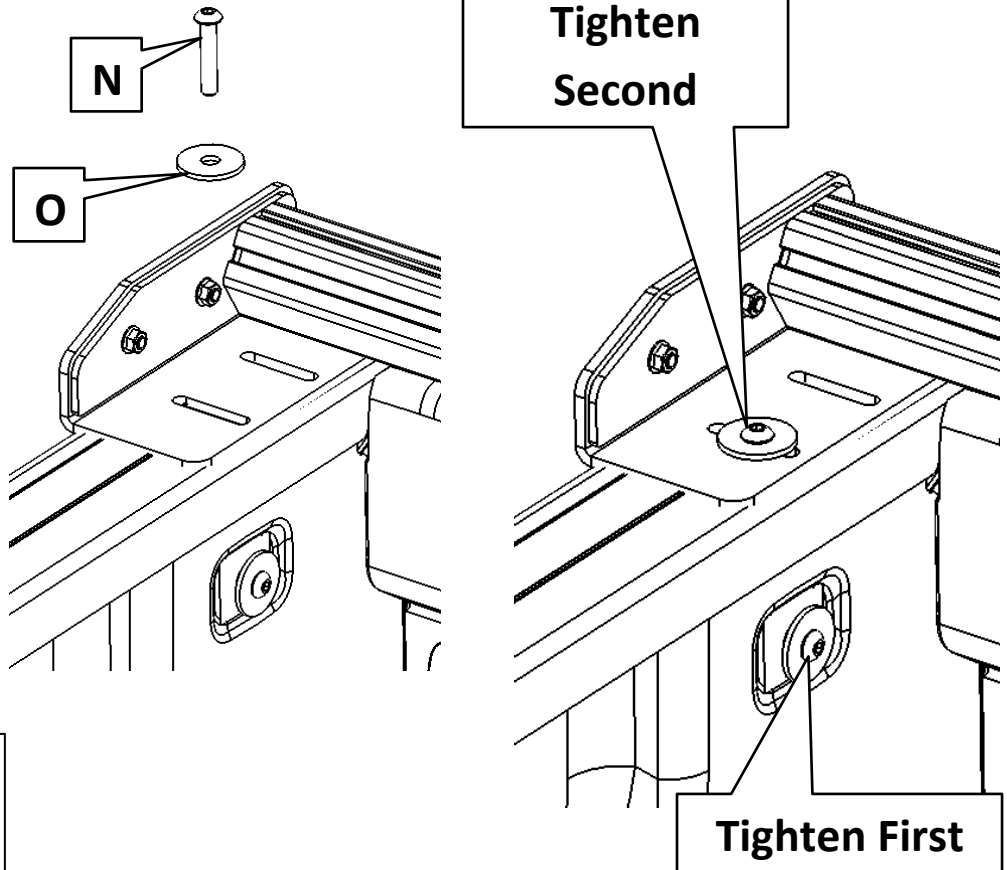
Install the correct bracket for your vehicle by lowering it into the front stake pocket and installing **(N)** bolt and **(O)** washer. Install so the top of the bracket is below the bedcap. **Do not fully tighten at this time.**



On some Vehicles the Plastic bed cap must be cut to access the stake pocket.

10 Cab Rack Installation

Install Hex Series Truck Rack onto bedcaps and line up the slots in the Base with the Stake Brackets. Install using **(N)** Bolt and **(O)** washer.



Center the Cab Rack and tighten the bottom bolt first then the top bolt.