



1-800-779-2102

Mon – Thurs: 8:00am - 5:00pm | Friday: 8:00am - 4:00pm CST

**INSPECT YOUR PRODUCT FOR DAMAGE & MISSING
PARTS BEFORE PROCEEDING TO INSTALLATION**

PROCEDURE FOR RETURNS OR MISSING HARDWARE

-PLEASE CONTACT THE ORIGINAL POINT OF PURCHASE FOR:
SHIPPING DAMAGE, RETURNS, OR WARRANTY CLAIMS

-CONTACT DEE ZEE DIRECTLY FOR MISSING PARTS OR HARDWARE

WWW.DEEZEE.COM

REGISTER YOUR PRODUCT ONLINE: www.deezee.com/registration

VIEW INSTRUCTIONS ONLINE: www.deezee.com/instructions

⚠ WARNING: Cancer and Reproductive Harm
www.P65Warnings.ca.gov

Operating, servicing, and maintaining a passenger vehicle can expose you to chemicals such as lead, phthalates, engine exhaust, and carbon monoxide that are known to the State of California cause cancer and birth defects or other reproductive harm. To minimize exposure, service your vehicle and its accessories in a well-vented area and wear gloves or wash your hands frequently.



DEE ZEE, INC. WARRANTY AGREEMENT

Dee Zee, Inc. guarantees the original purchaser a limited lifetime warranty against manufacturer defects in materials, workmanship, and design under normal use, excluding damage resulting from road hazards such as gravel or other debris, product misuse, improper installation, impairments from accidents, product modifications, improper repairs, spills, vandalism, product neglect, or acts of God.

This warranty applies only to the original purchaser of new product(s) and is limited to the replacement of genuine Dee Zee products. Modification of any kind to Dee Zee products voids all warranty coverage. Warranty does not include electrical components, installation, cost of removal, labor, transportation costs, loss of use, inconvenience, or consequential damages.

WARRANTY COVERAGE - MATERIALS & WORKMANSHIP

LIMITED LIFETIME WARRANTY:

- **STAINLESS STEEL:** Side Steps, Grill Guards, Bull Bars, Bed Caps, and Side Rails
- **ALUMINUM:** Side Steps, Running Boards, Storage Boxes, Transfer Tanks, Bed Protection, Side Rails, Invis-A-Racks, and Cab Racks
- **PLASTIC:** Storage Boxes
- **OTHER:** Front and Rear Bumpers

THREE-YEAR WARRANTY:

- **POWDER-COATED / E-COATED STEEL:** Side Steps, Running Boards, Storage Boxes, Transfer Tanks, Cab Racks, Sport Bar Ladder Racks, Cargo Carriers, Mounting Brackets (NX, Rough Step, and Bumper Guards only)
- **OTHER:** Tailgate Assist, Bed Mats, Floor Mats, Auxiliary Fuel Connection Kits, and All Products Not Otherwise Listed Individually

WARRANTY COVERAGE – FINISH PROTECTION

The finish of all Dee Zee products is covered for one-year (1) from the date of purchase. Dee Zee products have a high quality finish that must be cared for and maintained like any other exposed finish on the vehicle. Protect the finish with non-abrasive automotive wax (e.g. Pure Carnuba) on a regular basis. Applying soaps, polishes, or waxes that contain an abrasive compound may scratch the finish and leave the exposed material susceptible to corrosion.

WARRANTY COVERAGE – COMPONENT PARTS

Operational items such as shocks, latches, hinges, and wear items including, but not limited to, mud flaps, step pads, toolbox tray, end caps, hardware, seals, etc. have a one-year (1) warranty. Replacement component parts can be ordered via credit card (MasterCard or VISA) by calling 1-800-779-2102. All replacement parts are non-returnable and non-refundable.

GPI® FUEL PUMPS & ACCESSORIES

All Great Plains Industries (GPI) products, including transfer tank pumps and fuel meters are covered by GPI's warranty policies. Dee Zee's warranty terms do not apply to GPI products. To submit a warranty claim, please contact GPI at 1-800-835-0113 or visit www.gpi.net.

WARRANTY SUBMISSION PROCEDURE

All warranty claims will be initiated at the place of purchase. The original purchaser will be required to present the original sales receipt with purchase date shown and provide photographs of the defect.

In the event the originally purchased product style is no longer available, Dee Zee will warranty the defective part with a current equivalent. If a comparable product is no longer available, the product would be returned to the store of purchase for a refund or the applicable cost difference can be paid to choose an alternate style.

DISCLAIMER

All products are sold as appearance accessories and should not be relied upon as protection for the vehicle or its occupants in the event of an accident. Vehicles equipped with a supplemental restraints system (air bags) deployed by impact and collision avoidance systems should not be modified in any way. Always consult the vehicle manufacturer if you have any questions regarding supplemental restraint systems and sensors.

Buyer must accommodate front and rear sensors during product installation and assumes all risk should these be tampered, rerouted, severed, or disconnected. This includes disabling visual, audio, or vibration alerts into the cab. Buyer assumes all risk and responsibility for wiring any supplemental auxiliary lights.

Buyer assumes all risk, liability, and cost for the installation and use of Dee Zee products. Dee Zee, Inc. assumes no liability for injury, loss, incidental or consequential damages in the event of an accident.



Thank you for choosing Dee Zee to add function and accessorize your vehicle. Dee Zee has been a staple brand in the truck accessory market since 1977 and we hold a reputation of quality manufacturing based in America's Heartland. Our products are born through careful engineering and backed by industry leading warranty programs. We appreciate the opportunity to serve you and your vehicle!

Review the instruction pages in their entirety to prepare the required tools

Warning: Please check for wiring or other obstructions before drilling any holes in the vehicle. If it is necessary to drill any holes, Dee Zee recommends putting a sealant or rust inhibitory around all holes drilled into the body of the vehicle.

It is the sole responsibility of the vehicle owner to check for tire clearance. It is unlawful and dangerous to ride on any external vehicle step while the vehicle is in motion.

Cleaning: To be entitled to all warranty rights offered with the product, Dee Zee steps need to be cleaned regularly with a mild detergent. Do NOT use abrasive cleaners. For stainless steel products, the application of a high grade automotive wax is recommended.


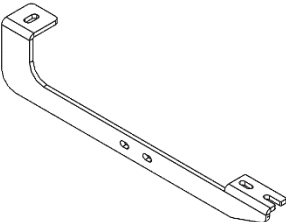
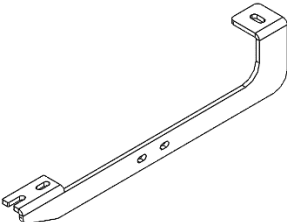
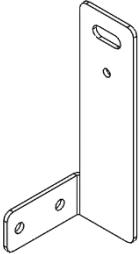
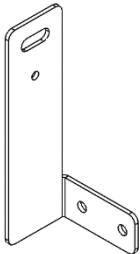
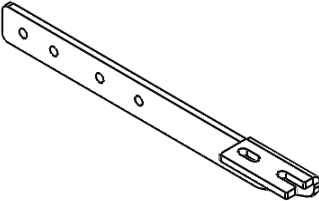
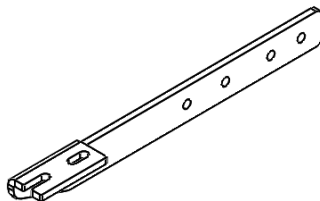
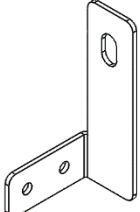
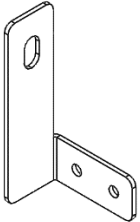
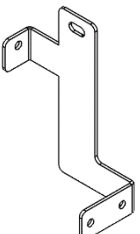
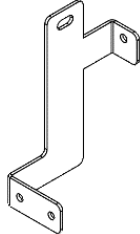
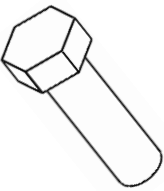
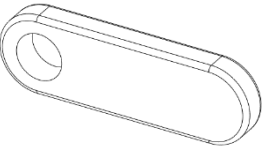
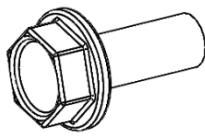



Dee Zee Cares - Please Recycle

For an electronic version of these instructions visit: www.deezee.com/instructions

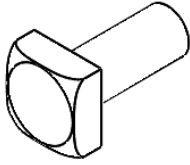
Register your product online: www.deezee.com/registration

DZ 16214 CHEVROLET TRAVERSE 2018

<p>A DZ 16201 / DZ 16202 / DZ 16203 *SOLD SEPARATELY FROM THIS KIT*</p>  <p>BD BRBOARDBB BD BRBOARDBVM BD BRBOARDSSB X2</p>	<p>B Driver Front Main Bracket</p>  <p>B 2489LP X1</p>	<p>C Passenger Front Main Bracket</p>  <p>B 2489RP X1</p>
<p>D Driver Front Support Bracket</p>  <p>B 2490LP X1</p>	<p>E Passenger Front Support Bracket</p>  <p>B 2490RP X1</p>	<p>F Driver Rear Main Bracket</p>  <p>B 2486LP X1</p>
<p>G Passenger Rear Main Bracket</p>  <p>B 2486RP X1</p>	<p>H Driver Rear Support Bracket</p>  <p>B 2487LP X1</p>	<p>I Passenger Rear Support Bracket</p>  <p>B 2487RP X1</p>
<p>J Driver Rear Bracket</p>  <p>B 2488LP X1</p>	<p>K Passenger Rear Bracket</p>  <p>B 2488RP X1</p>	<p>L 3/8-16 x 1 1/4 Hex Bolt</p>  <p>PN 114 X8</p>
<p>M Single Tap Spot Weld Nut</p>  <p>PN 742 X8</p>	<p>N M8-20mm Hex Bolt</p>  <p>PN 527 X14</p>	<p>O M8-1.25 Hex Nut</p>  <p>PN 526 X22</p>

P

M8-1.25 x 20mm Square Head Bolt

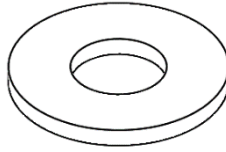


PN 524

X8

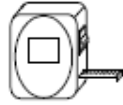
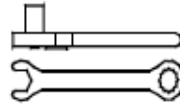
Q

3/8 Flat Washer



PN 113

X8

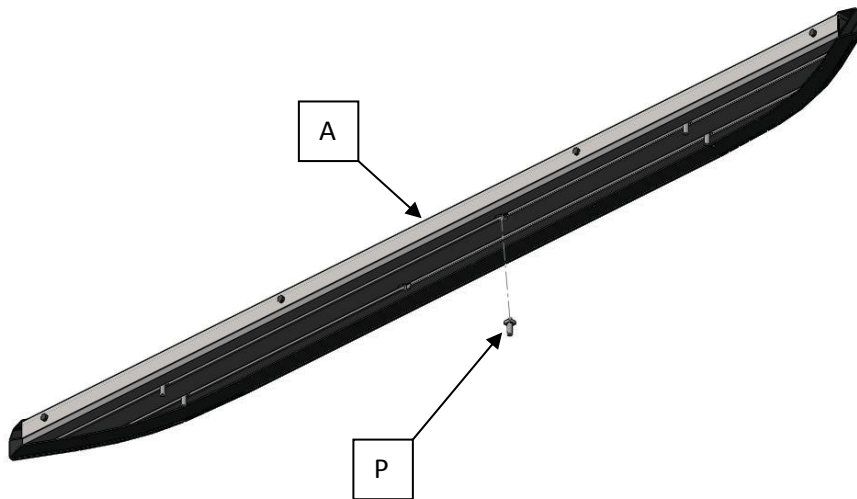
Required tools:**Tape Measure****Ratchet / Wrench**

Sizes: 13mm

14mm

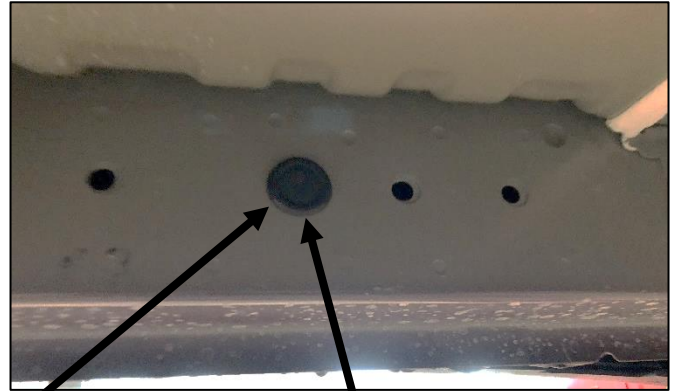
1

Place the 8mm square head bolts (P) into the two bolt channels of the running board (A) and slide toward either end of the board. For this application, there should be two bolts in each channel on opposite ends of the board.



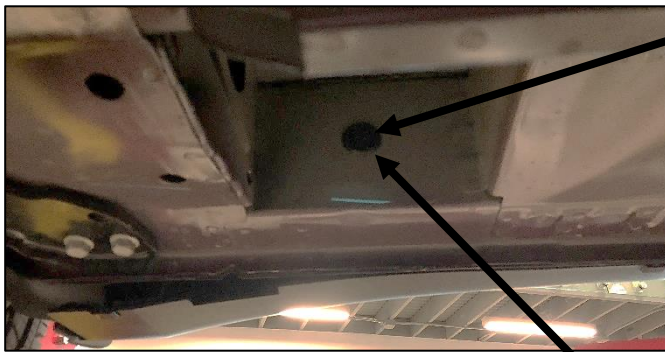
2 Locate the existing hole locations shown below. There will be two sets of hole locations (Front, Rear). Remove any plastic plugs in the locations

Front Driver



HOLES UTILIZED

Rear Driver



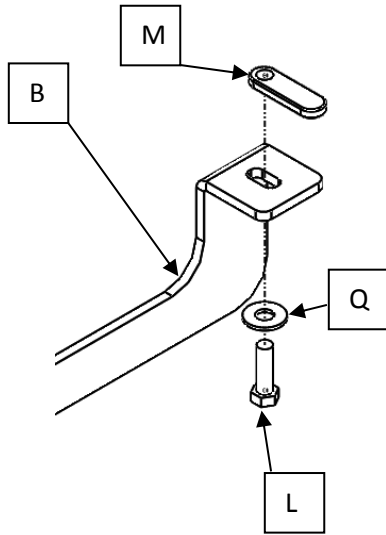
REMOVE PLASTIC PLUGS



HOLES UTILIZED

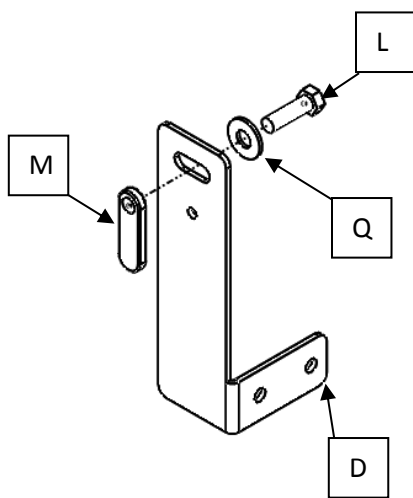
3

Install the driver front main bracket (B) in the front hole location as shown using bolt (L), washer (Q), and tab nut (M). To tighten brace pull down on the brace and tighten bolt. Do not fully tighten hardware at this time.



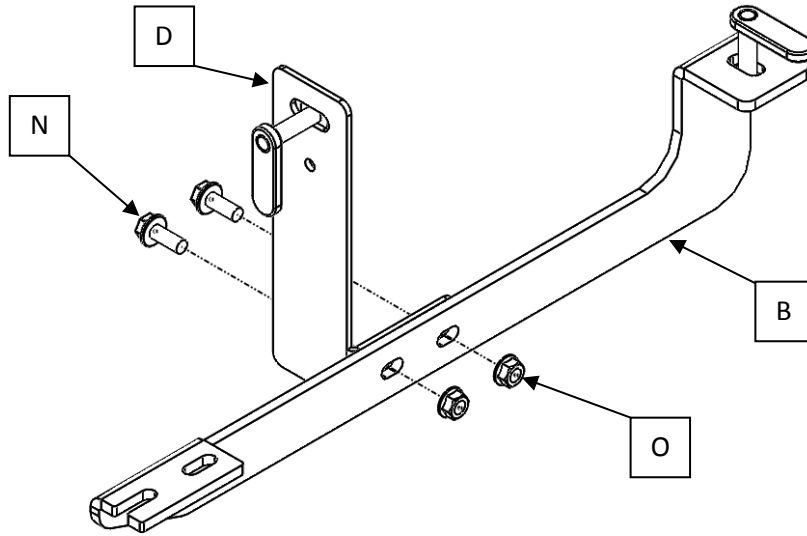
4

Next install the driver front support bracket (D) using bolt (L) washer (Q), and tab nut (M) into the front hole location. To tighten pull down on the brace and tighten bolt. Do not fully tighten hardware at this time.

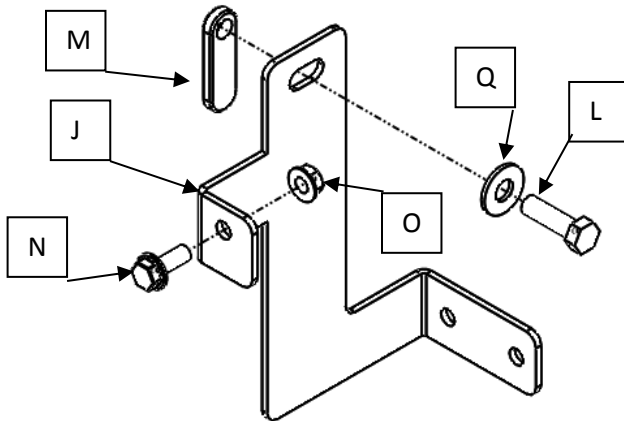


5

Connect The main front bracket (B) to the front support bracket (D) using bolts (N) and nuts (O). Fully tighten all hardware at this time.

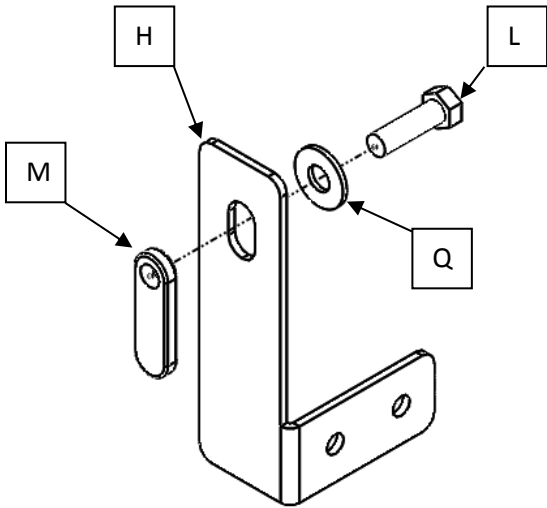
**6**

In the rear location install driver rear bracket (J) by first installing the bolt (L), washer (Q), and tab nut (M) into the driver rear bracket and then install into the hole towards the outside of the vehicle. Then install the bolt (N) through the backside of the vehicle and then through the bracket then put a nut (O) on the bolt. Fully tighten hardware by pulling down on the bracket and tightening bolts.

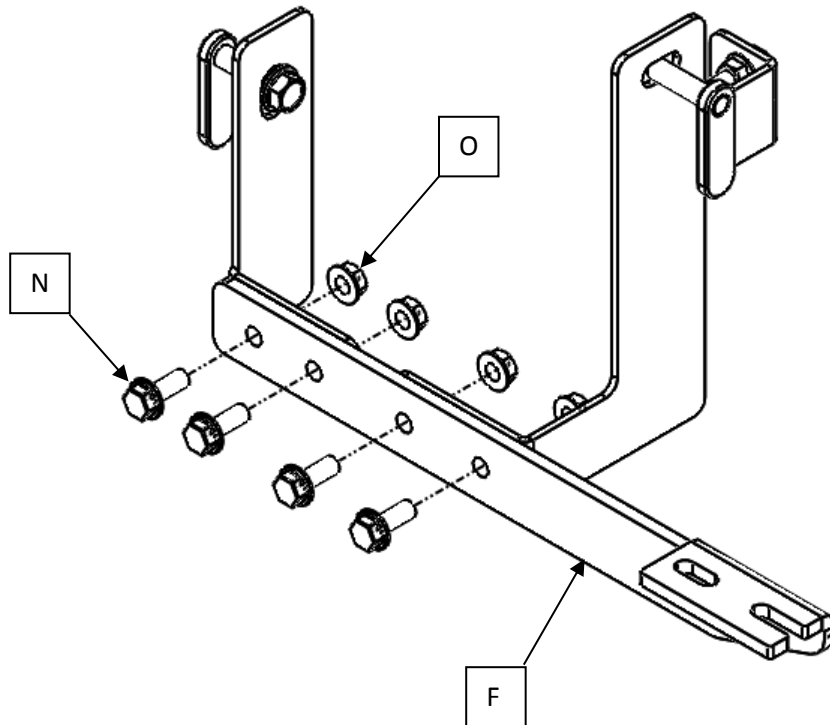


7

Install bolt (L) washer (Q), and tab nut (M) into driver rear support bracket (H). Then insert the tab nut into hole location. Pull down on bracket to tighten brace. Do not fully tighten at this time

**8**

Install the driver rear main bracket (F) by using bolts (N) and nuts (O). Fully tighten all hardware at this time.



9 Center the board and install nuts (O) on board (A). Fully tighten hardware



10 Repeat steps on passengers side using passenger side braces.

