



**1-800-779-2102**

Mon – Thurs: 8:00am - 5:00pm | Friday: 8:00am - 4:00pm CST

**INSPECT YOUR PRODUCT FOR DAMAGE & MISSING PARTS BEFORE PROCEEDING TO INSTALLATION**

**PROCEDURE FOR RETURNS OR MISSING HARDWARE**

-PLEASE CONTACT THE ORIGINAL POINT OF PURCHASE FOR:  
SHIPPING DAMAGE, RETURNS, OR WARRANTY CLAIMS

-CONTACT DEE ZEE DIRECTLY FOR MISSING PARTS OR HARDWARE

**WWW.DEEZEE.COM**

REGISTER YOUR PRODUCT ONLINE: [www.deezee.com/registration](http://www.deezee.com/registration)

VIEW INSTRUCTIONS ONLINE: [www.deezee.com/instructions](http://www.deezee.com/instructions)

---

**⚠️ WARNING:** Cancer and Reproductive Harm  
[www.P65Warnings.ca.gov](http://www.P65Warnings.ca.gov)

Operating, servicing, and maintaining a passenger vehicle can expose you to chemicals such as lead, phthalates, engine exhaust, and carbon monoxide that are known to the State of California cause cancer and birth defects or other reproductive harm. To minimize exposure, service your vehicle and its accessories in a well-vented area and wear gloves or wash your hands frequently.



## DEE ZEE, INC. WARRANTY AGREEMENT

Dee Zee, Inc. guarantees the original purchaser a limited lifetime warranty against manufacturer defects in materials, workmanship, and design under normal use, excluding damage resulting from road hazards such as gravel or other debris, product misuse, improper installation, impairments from accidents, product modifications, improper repairs, spills, vandalism, product neglect, or acts of God.

This warranty applies only to the original purchaser of new product(s) and is limited to the replacement of genuine Dee Zee products. Modification of any kind to Dee Zee products voids all warranty coverage. Warranty does not include electrical components, installation, cost of removal, labor, transportation costs, loss of use, inconvenience, or consequential damages.

## WARRANTY COVERAGE - MATERIALS & WORKMANSHIP

### LIMITED LIFETIME WARRANTY:

- STAINLESS STEEL: Side Steps, Grill Guards, Bull Bars, Bed Caps, and Side Rails
- ALUMINUM: Side Steps, Running Boards, Storage Boxes, Transfer Tanks, Bed Protection, Side Rails, Invis-A-Racks, and Cab Racks
- PLASTIC: Storage Boxes
- OTHER: Front and Rear Bumpers

### THREE-YEAR WARRANTY:

- POWDER-COATED / E-COATED STEEL: Side Steps, Running Boards, Storage Boxes, Transfer Tanks, Cab Racks, Sport Bar Ladder Racks, Cargo Carriers, Mounting Brackets (NX, Rough Step, and Bumper Guards only)
- OTHER: Tailgate Assist, Bed Mats, Floor Mats, Auxiliary Fuel Connection Kits, and All Products Not Otherwise Listed Individually

## WARRANTY COVERAGE – FINISH PROTECTION

The finish of all Dee Zee products is covered for one-year (1) from the date of purchase. Dee Zee products have a high quality finish that must be cared for and maintained like any other exposed finish on the vehicle. Protect the finish with non-abrasive automotive wax (e.g. Pure Carnauba) on a regular basis. Applying soaps, polishes, or waxes that contain an abrasive compound may scratch the finish and leave the exposed material susceptible to corrosion.

## WARRANTY COVERAGE – COMPONENT PARTS

Operational items such as shocks, latches, hinges, and wear items including, but not limited to, mud flaps, step pads, toolbox tray, end caps, hardware, seals, etc. have a one-year (1) warranty. Replacement component parts can be ordered via credit card (MasterCard or VISA) by calling 1-800-779-2102. All replacement parts are non-returnable and non-refundable.

## **GPI® FUEL PUMPS & ACCESSORIES**

All Great Plains Industries (GPI) products, including transfer tank pumps and fuel meters are covered by GPI's warranty policies. Dee Zee's warranty terms do not apply to GPI products. To submit a warranty claim, please contact GPI at 1-800-835-0113 or visit [www.gpi.net](http://www.gpi.net).

### **WARRANTY SUBMISSION PROCEDURE**

All warranty claims will be initiated at the place of purchase. The original purchaser will be required to present the original sales receipt with purchase date shown and provide photographs of the defect.

In the event the originally purchased product style is no longer available, Dee Zee will warranty the defective part with a current equivalent. If a comparable product is no longer available, the product would be returned to the store of purchase for a refund or the applicable cost difference can be paid to choose an alternate style.

### **DISCLAIMER**

All products are sold as appearance accessories and should not be relied upon as protection for the vehicle or its occupants in the event of an accident. Vehicles equipped with a supplemental restraints system (air bags) deployed by impact and collision avoidance systems should not be modified in any way. Always consult the vehicle manufacturer if you have any questions regarding supplemental restraint systems and sensors.

Buyer must accommodate front and rear sensors during product installation and assumes all risk should these be tampered, rerouted, severed, or disconnected. This includes disabling visual, audio, or vibration alerts into the cab. Buyer assumes all risk and responsibility for wiring any supplemental auxiliary lights.

Buyer assumes all risk, liability, and cost for the installation and use of Dee Zee products. Dee Zee, Inc. assumes no liability for injury, loss, incidental or consequential damages in the event of an accident.



Thank you for choosing Dee Zee to add function and accessorize your vehicle. Dee Zee has been a staple brand in the truck accessory market since 1977 and we hold a reputation of quality manufacturing based in America's Heartland. Our products are born through careful engineering and backed by industry leading warranty programs. We appreciate the opportunity to serve you and your vehicle!

**Review the instruction pages in their entirety to prepare the required tools**

**Warning:** Please check for wiring or other obstructions before drilling any holes in the vehicle. If it is necessary to drill any holes, Dee Zee recommends putting a sealant or rust inhibitory around all holes drilled into the body of the vehicle.

It is the sole responsibility of the vehicle owner to check for tire clearance. It is unlawful and dangerous to ride on any external vehicle step while the vehicle is in motion.

**Cleaning:** To be entitled to all warranty rights offered with the product, Dee Zee steps need to be cleaned regularly with a mild detergent. Do NOT use abrasive cleaners. For stainless steel products, the application of a high grade automotive wax is recommended.

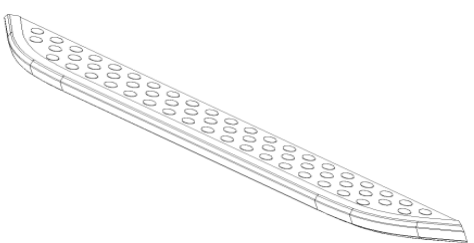
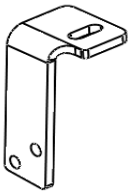
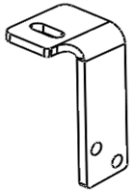
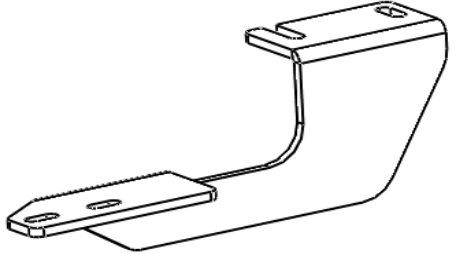
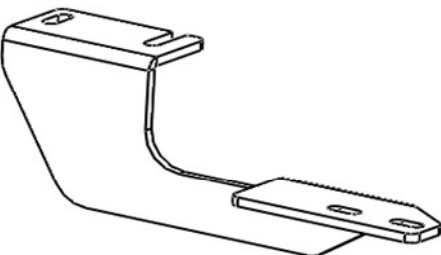
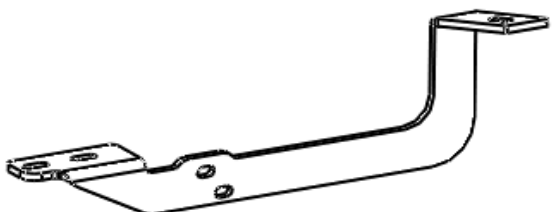
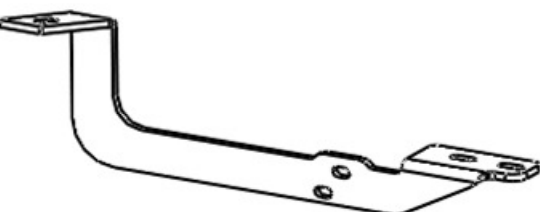
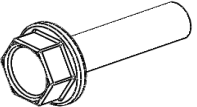
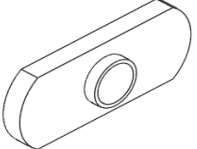
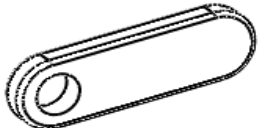
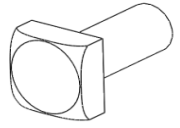
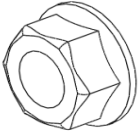
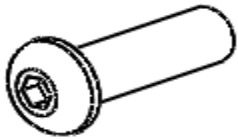
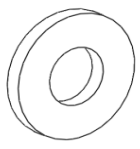


Dee Zee Cares - Please Recycle

For an electronic version of these instructions visit: [www.deezee.com/instructions](http://www.deezee.com/instructions)

Register your product online: [www.deezee.com/registration](http://www.deezee.com/registration)

# DZ 16223 FORD ESCAPE

|  |  |  |   |
|--|--|--|---|
| <p><b>A</b></p> <p style="text-align: center;">*SOLD SEPARATELY FROM THIS KIT*</p>  <p>DZ 16201<br/>DZ 16202<br/>DZ 16203</p> <p style="text-align: right;"><b>X2</b></p> | <p><b>B</b></p> <p style="text-align: center;">LEFT SUPPORT<br/>BRACKET</p>  <p>B 2189LP</p> <p style="text-align: right;"><b>X1</b></p>   | <p><b>C</b></p> <p style="text-align: center;">RIGHT SUPPORT<br/>BRACKET</p>  <p>B 2189RP</p> <p style="text-align: right;"><b>X1</b></p> |   |
| <p><b>D</b></p> <p style="text-align: center;">DRIVER SIDE FRONT BRACE</p>  <p>B 2190LP</p> <p style="text-align: right;"><b>X1</b></p>                                   | <p><b>E</b></p> <p style="text-align: center;">PASSENGER SIDE REAR BRACE</p>  <p>B 2190RP</p> <p style="text-align: right;"><b>X1</b></p>  |  |   |
| <p><b>F</b></p> <p style="text-align: center;">DRIVER SIDE REAR BRACE</p>  <p>B 2188LP</p> <p style="text-align: right;"><b>X1</b></p>                                   | <p><b>G</b></p> <p style="text-align: center;">PASSENGER SIDE REAR BRACE</p>  <p>B 2188RP</p> <p style="text-align: right;"><b>X1</b></p> |  |   |
| <p><b>H</b></p> <p style="text-align: center;">8mm X 25mm BOLT</p>  <p>PN 525</p> <p style="text-align: right;"><b>X8</b></p>   | <p><b>I</b></p> <p style="text-align: center;">8mm THREADED<br/>PLATE</p>  <p>PN 835</p> <p style="text-align: right;"><b>X4</b></p>      | <p><b>J</b></p> <p style="text-align: center;">OFFSET THREADED<br/>PLATE</p>  <p>PN 742</p> <p style="text-align: right;"><b>X4</b></p>  | <p><b>K</b></p> <p style="text-align: center;">8mm SQUARE<br/>HEAD BOLT</p>  <p>PN 524</p> <p style="text-align: right;"><b>X8</b></p> |
| <p><b>L</b></p> <p style="text-align: center;">8mm NUT</p>  <p>PN 526</p> <p style="text-align: right;"><b>X12</b></p>  | <p><b>M</b></p> <p style="text-align: center;">3/8" BUTTON<br/>HEAD BOLT</p>  <p>PN 174</p> <p style="text-align: right;"><b>X4</b></p>   | <p><b>N</b></p> <p style="text-align: center;">3/8" FLAT WASHER</p>  <p>PN 113B</p> <p style="text-align: right;"><b>X4</b></p>          |   |

**TOOLS REQUIRED**

7/32" ALLEN

TIN SNIPS

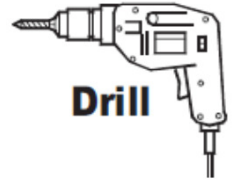
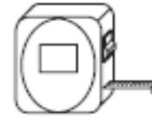
WRENCH/RATCHET

10mm, 13mm

TAPE

MEASURE

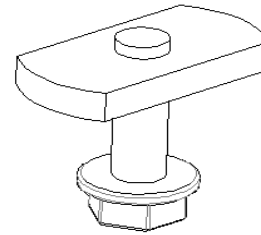
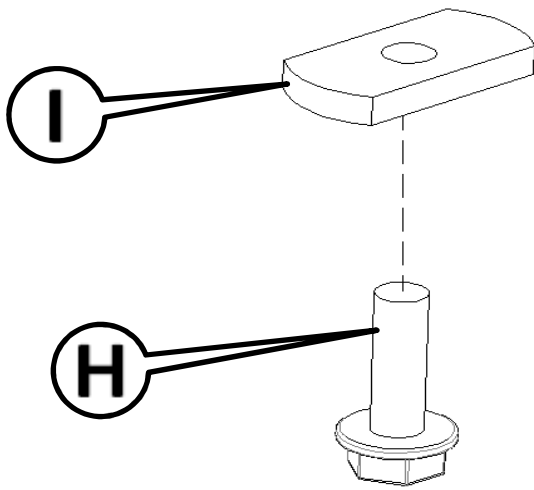
1/4" DRILL BIT



**Drill**

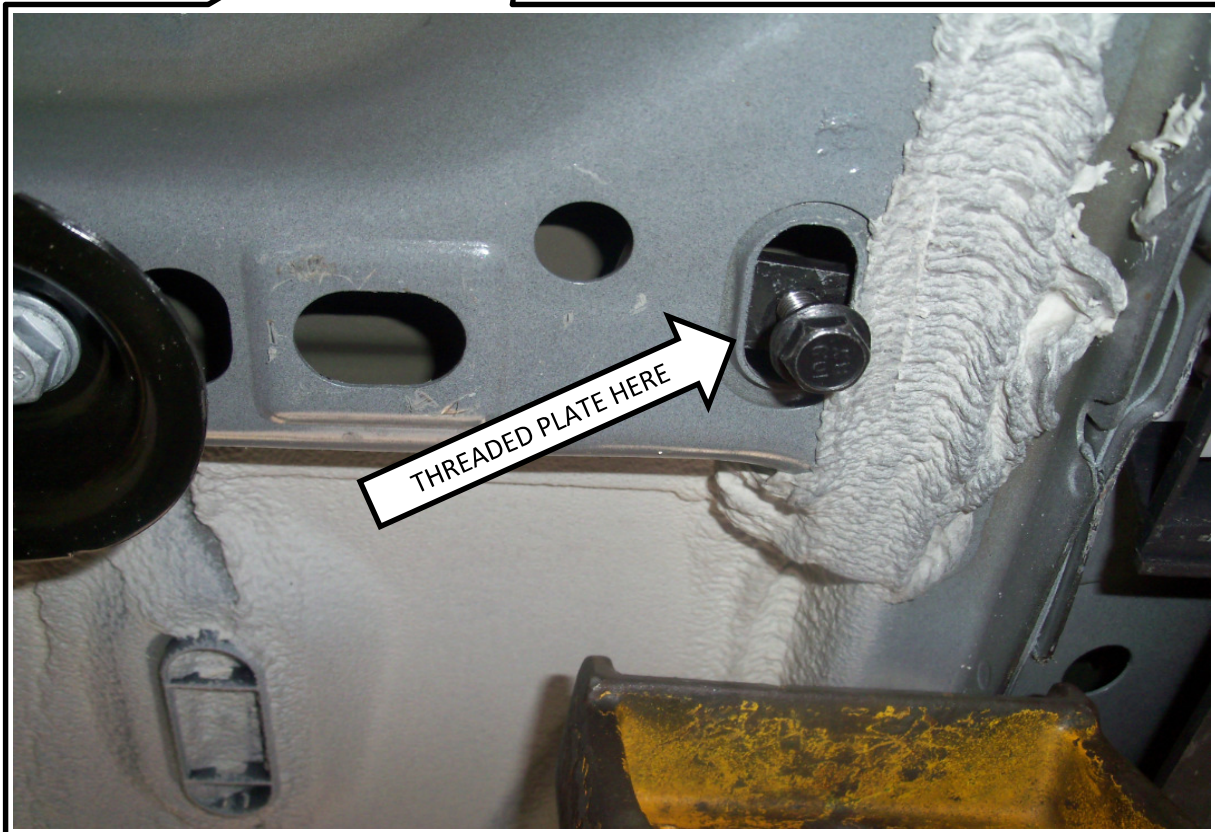
**1**

Using the 8mm bolt [H] and threaded plate [I], thread the bolt into the plate.



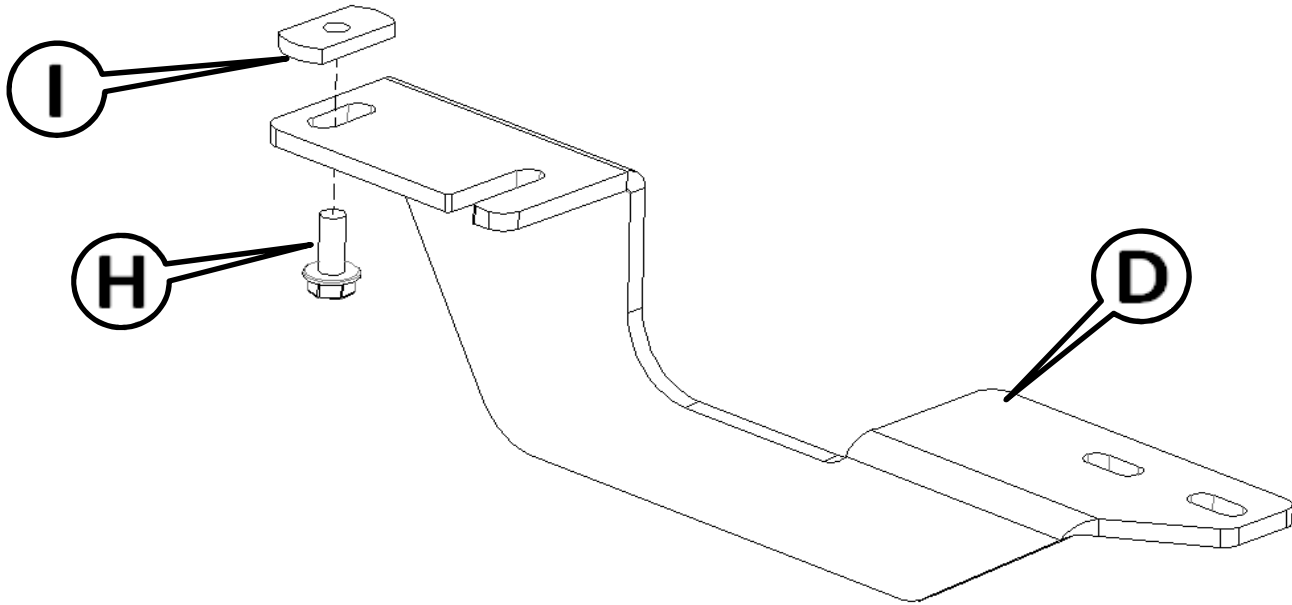
2

Insert the threaded plate into the outer slot at the front mounting location.

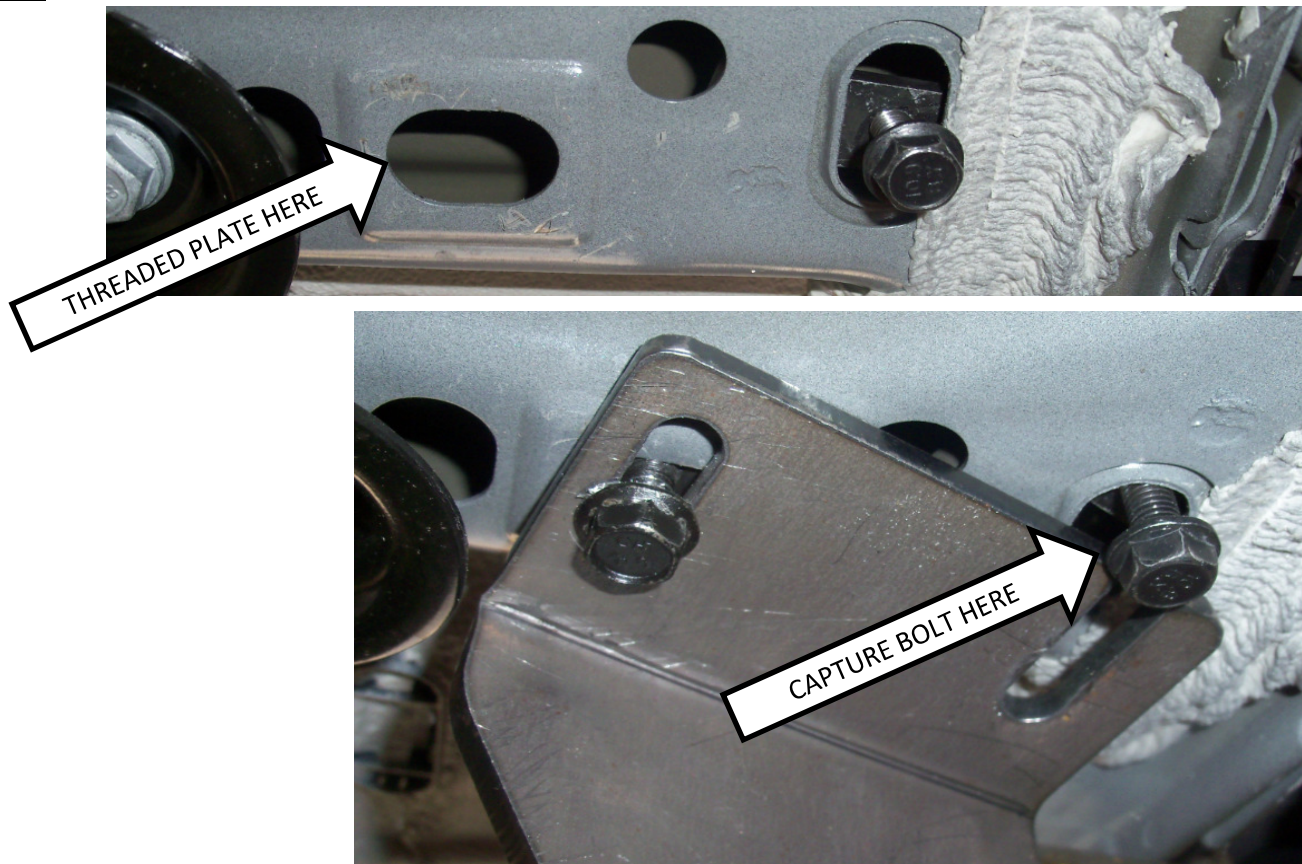




- 3** Using the 8mm bolt [H] and threaded plate [I], thread the bolt into the plate through the slot shown below in the front driver side brace [D].

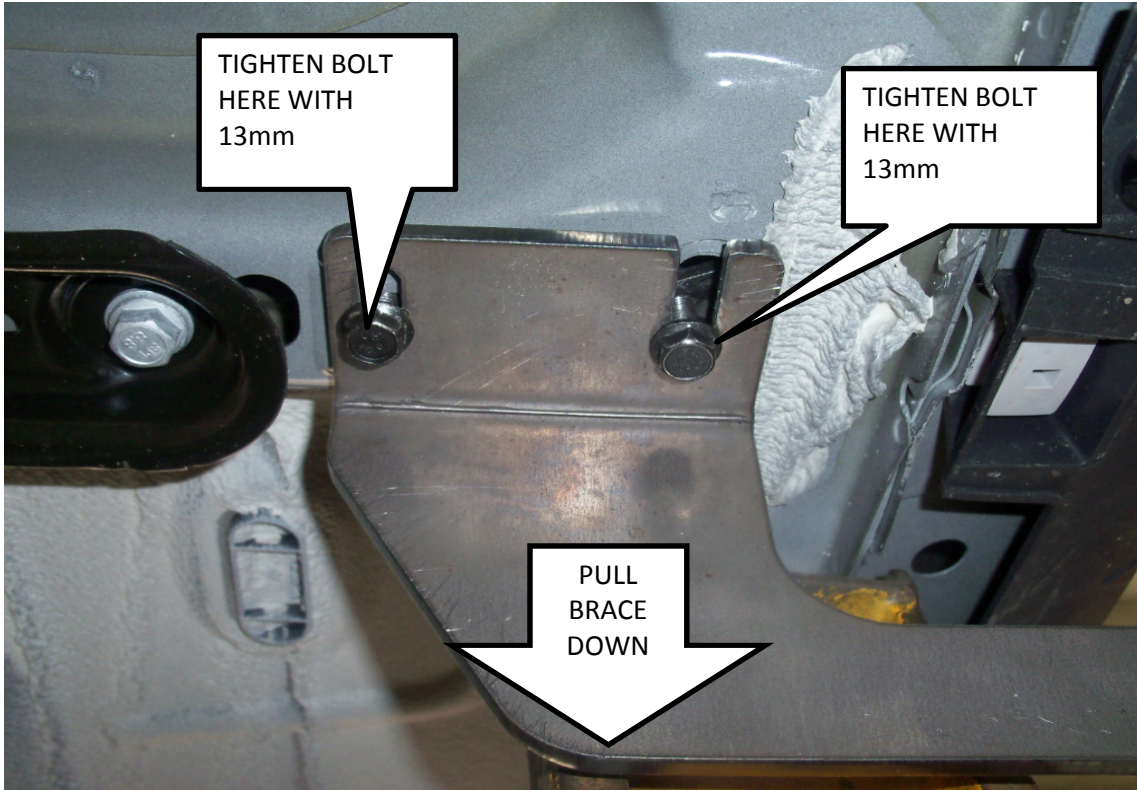


- 4** Once the bolt is threaded into the threaded plate, insert the threaded plate into the other slot in the front mounting location. Rotate the brace to capture the bolt from Step 2 in the open ended slot.

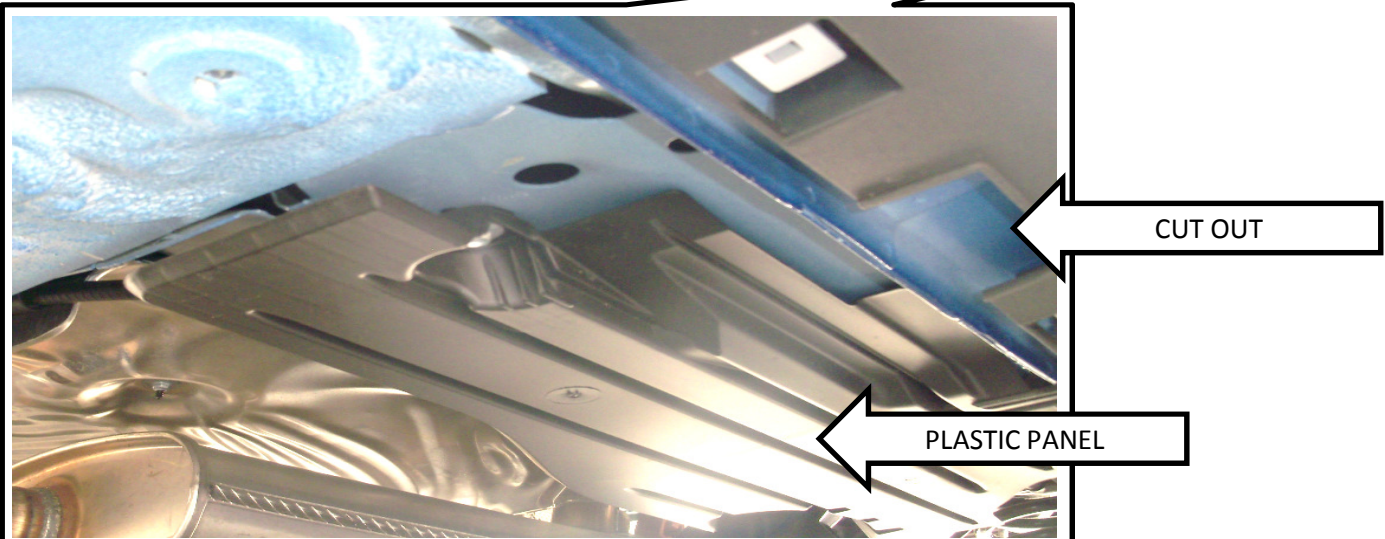




**5** Align the brace so that it is perpendicular to the vehicle. Pull down on the brace to put tension on the threaded plates and tighten with a 13mm socket.



**6** The rear mounting location is covered with a plastic panel. Just in front of this panel is a cut out in the cladding.

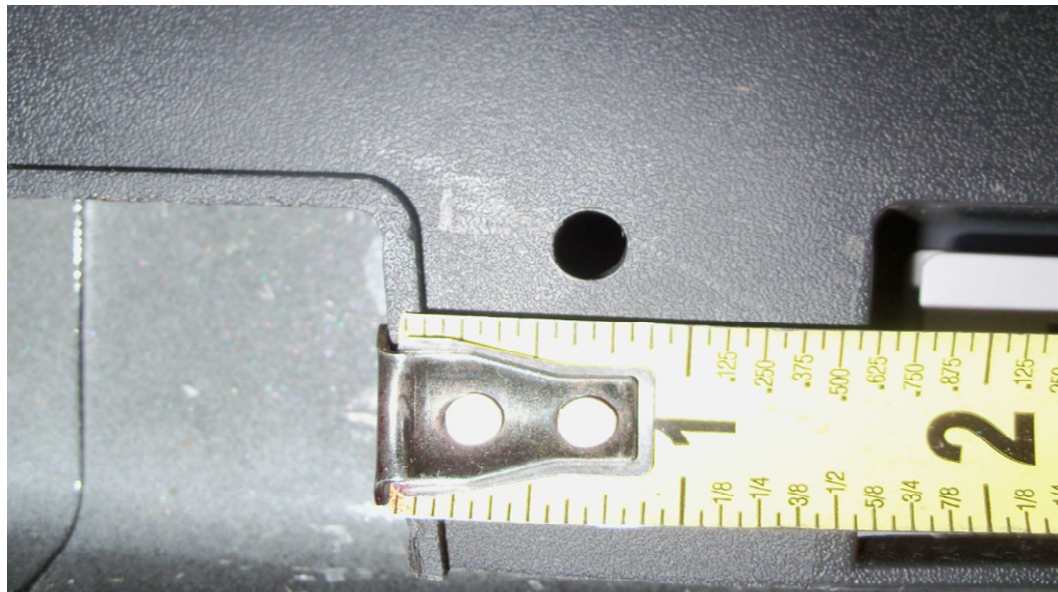




**7** To attach the rear mounting bracket, you will need to drill a 1/4" hole through the plastic cladding.

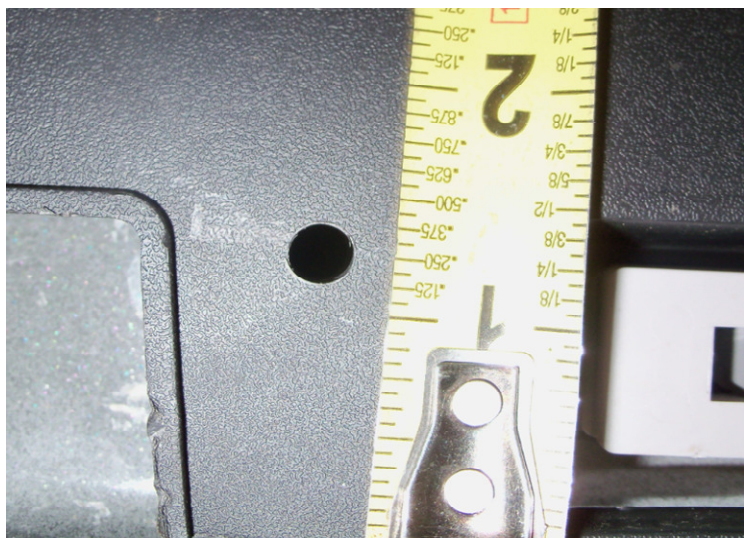


The 1/4" hole will be located 11/16" over from the cut-out.



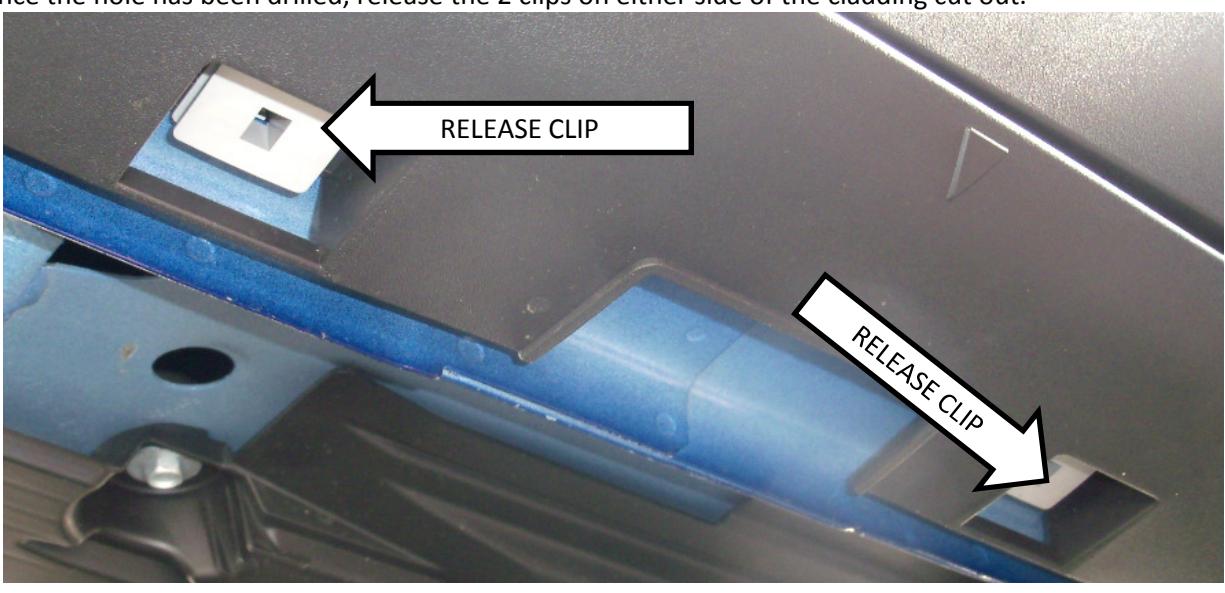
It will be 1- 1/4" up from the edge of the cladding.

**ONLY DRILL THROUGH THE PLASTIC CLADDING.**



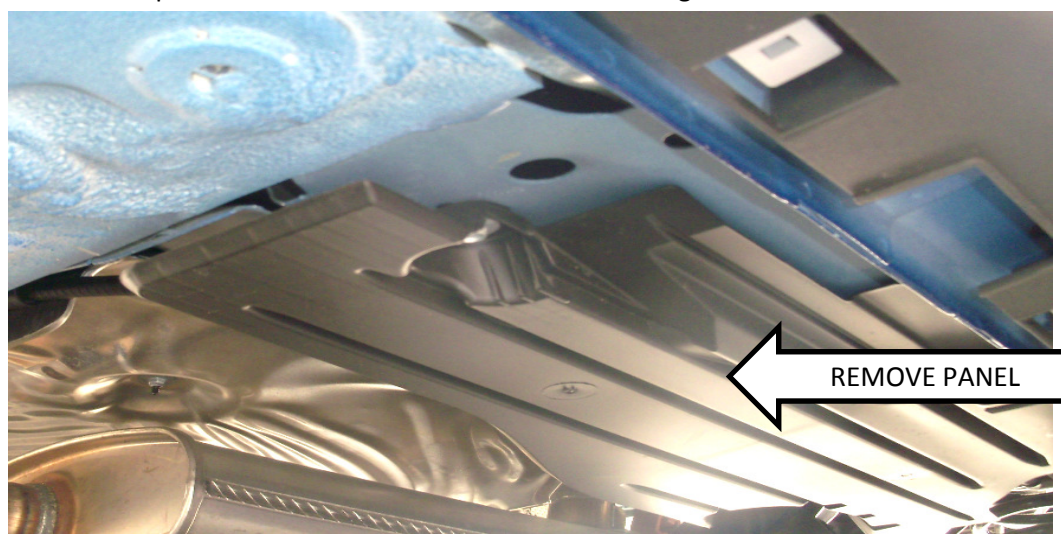


**8** Once the hole has been drilled, release the 2 clips on either side of the cladding cut out.

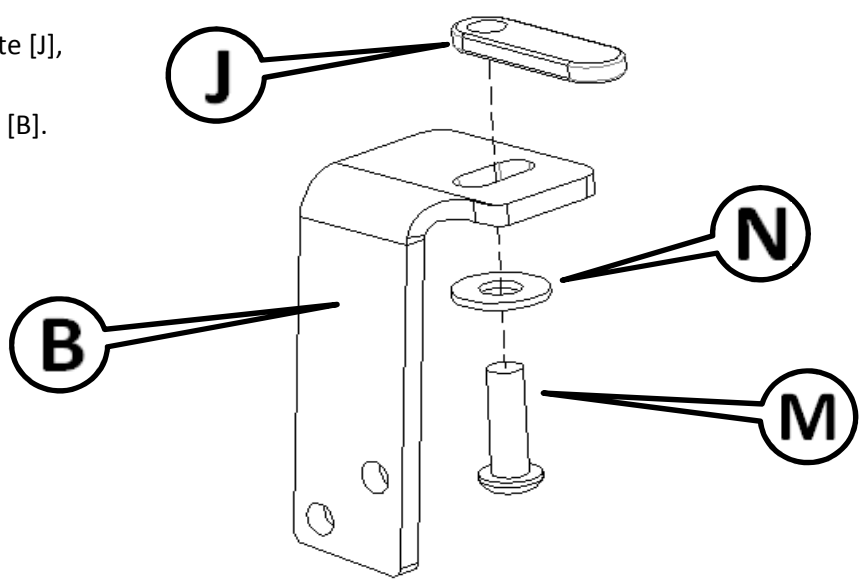


**9** Using a 10mm socket, remove the panel. One of the bolts is under the cladding.

NOTE:  
SAVE THE BOLTS.  
THEY WILL BE USED  
TO REINSTALL  
THE PANEL.



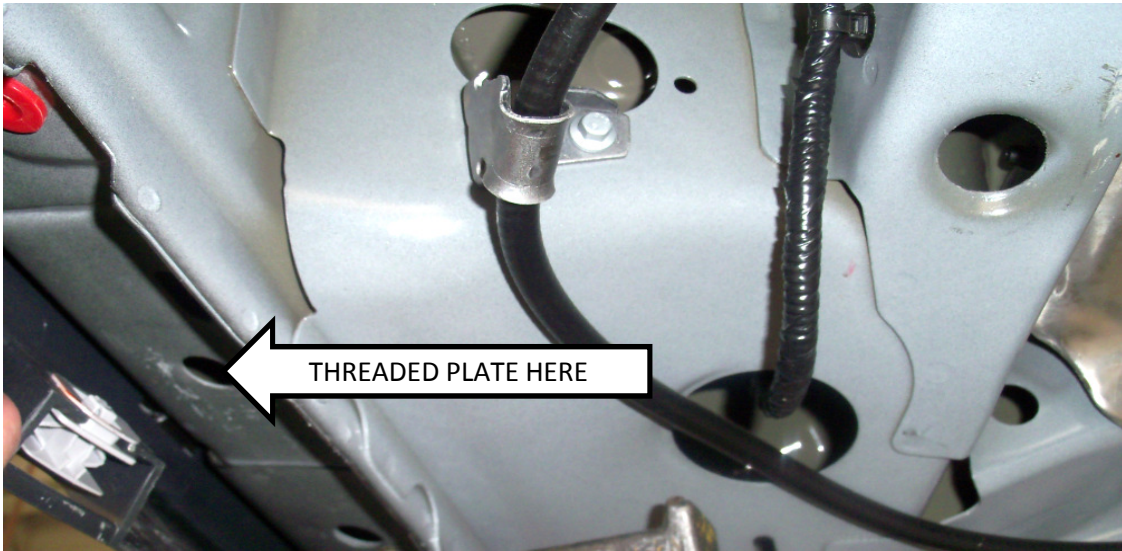
**10** Using the 3/8" button head bolt [M], 3/8" washer [N], and offset threaded plate [J], thread the bolt into the plate through the slot in the mounting bracket [B].





**11**

The threaded plate on mounting bracket [B] will be attaching to the hole shown below.



**12**

Pull down on the plastic cladding and insert the end of the threaded plate into the hole.



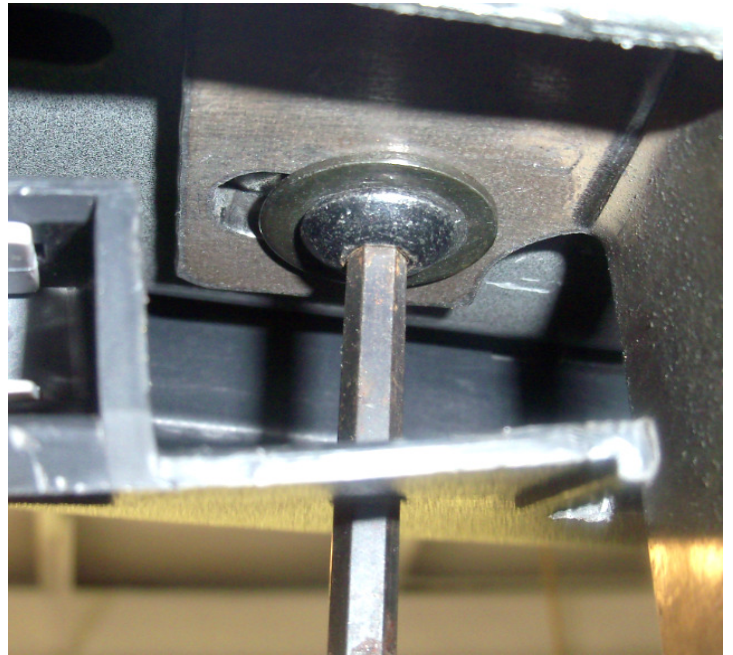
Maneuver the plate until it is completely in the opening.



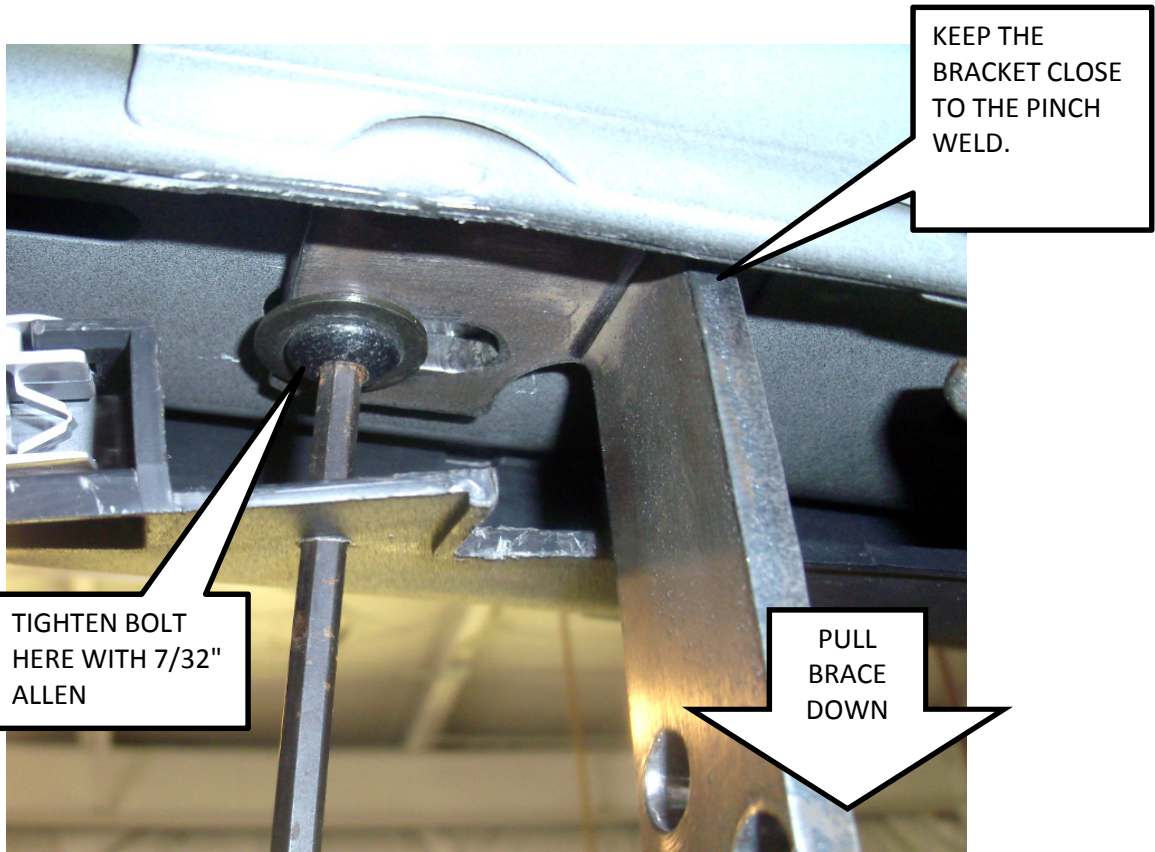


**13**

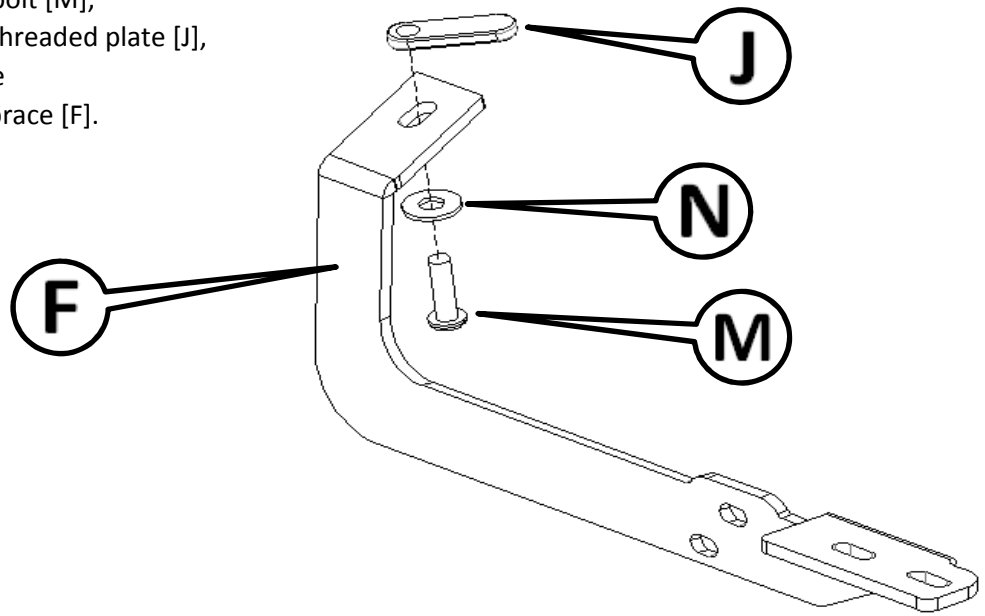
Insert the 7/32" Allen through the hole drilled in Step 7 and into the head of the button head bolt.



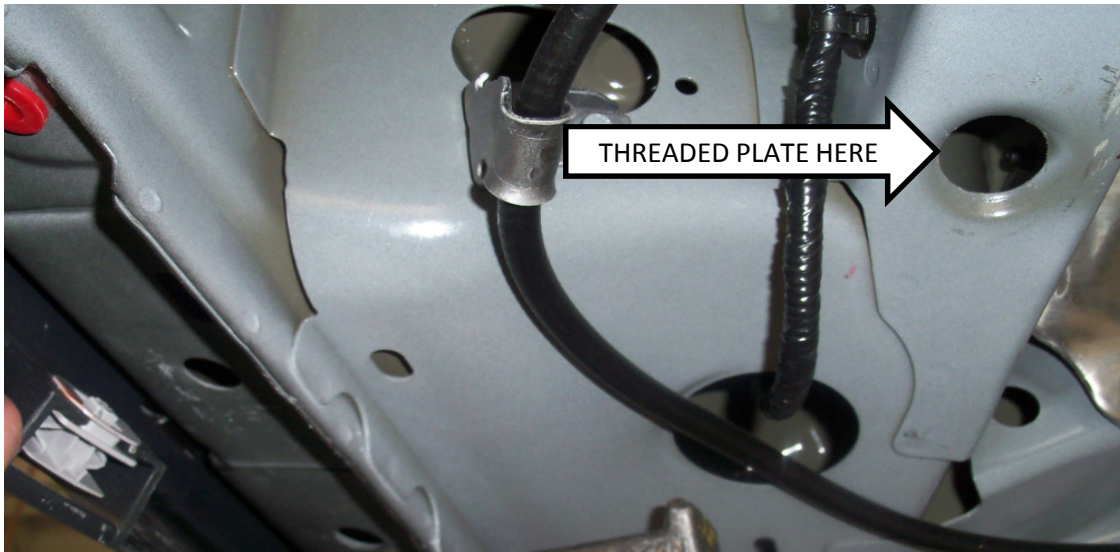
Pull down on the mounting bracket to put the threaded plate under tension and tighten the bolt.



- 14** Using the 3/8" button head bolt [M], 3/8" washer [N], and offset threaded plate [J], thread the bolt into the plate through the slot in the rear brace [F].

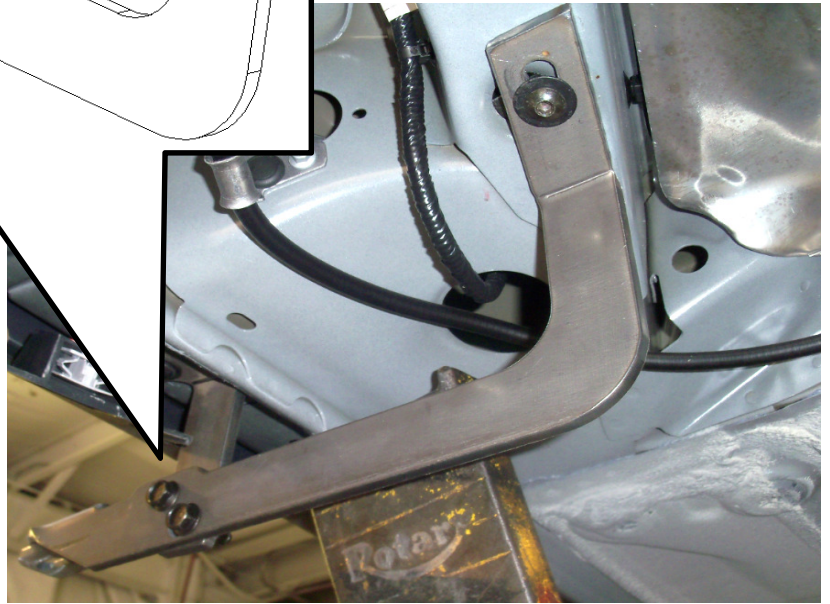
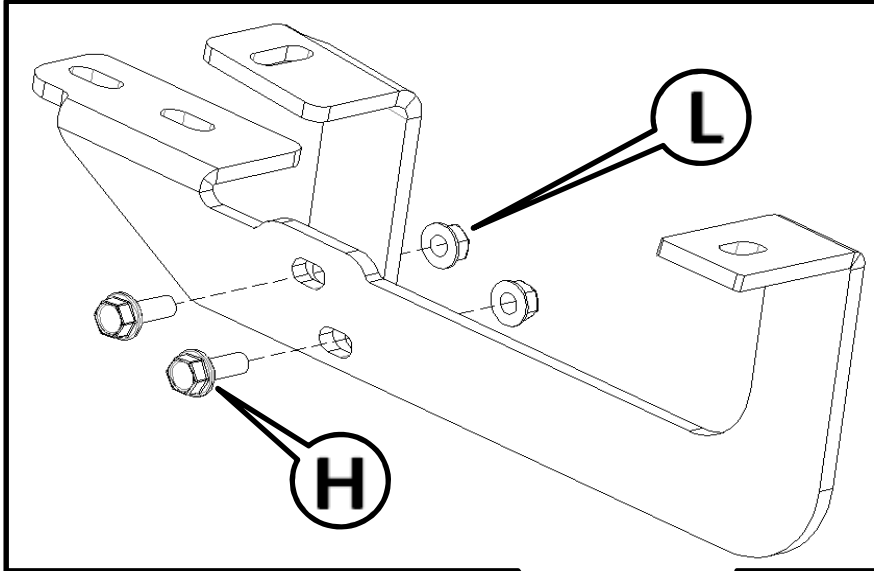


- 15** Once installed on the rear brace, insert the threaded plate into the hole shown below.

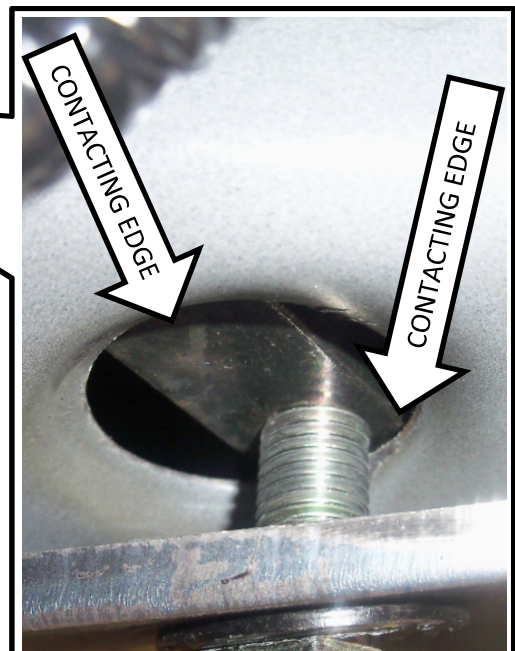
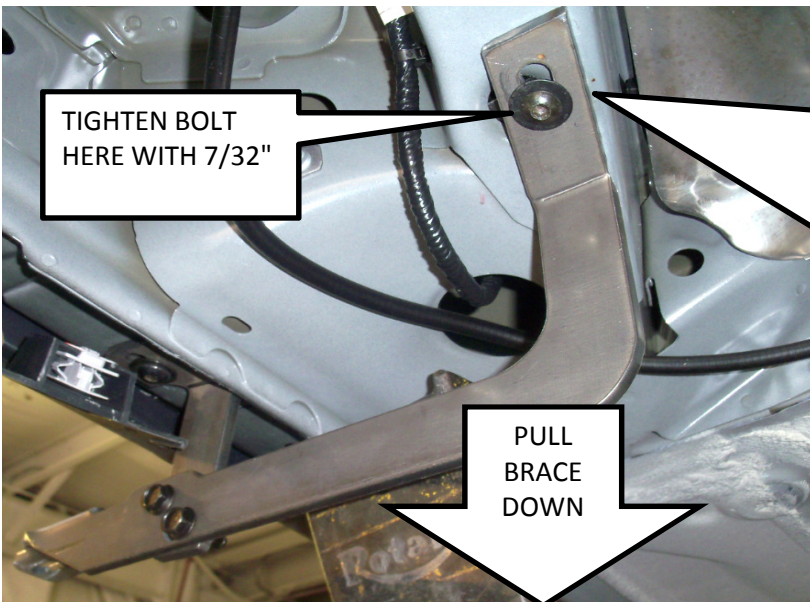




- 16** Using the 8mm bolt [H] and 8mm nut [L], attach the rear brace to the mounting bracket.  
Do NOT completely tighten at this time.

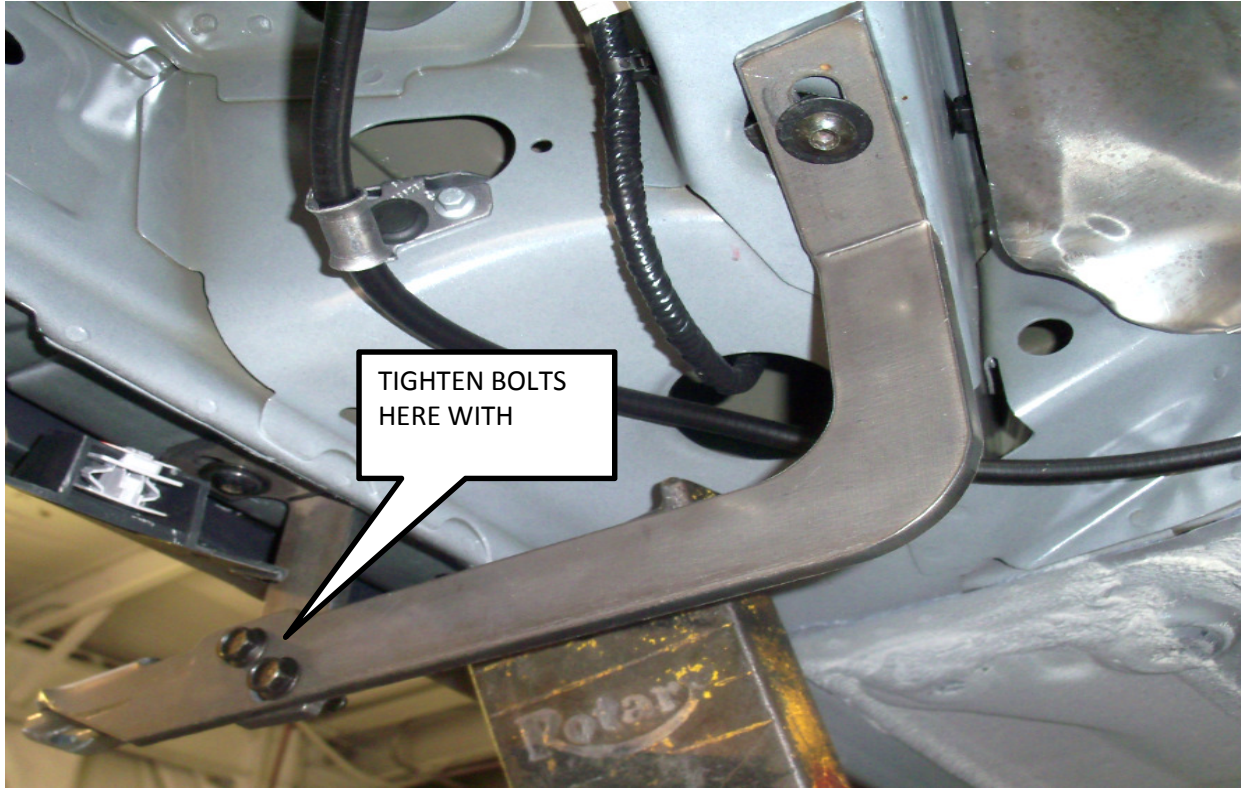


- 17** Move the brace and the threaded plate so that the threaded plate is contacting the hole on both sides.  
Pull down on the brace to put tension on the threaded plate and tighten with a 7/32" Allen.



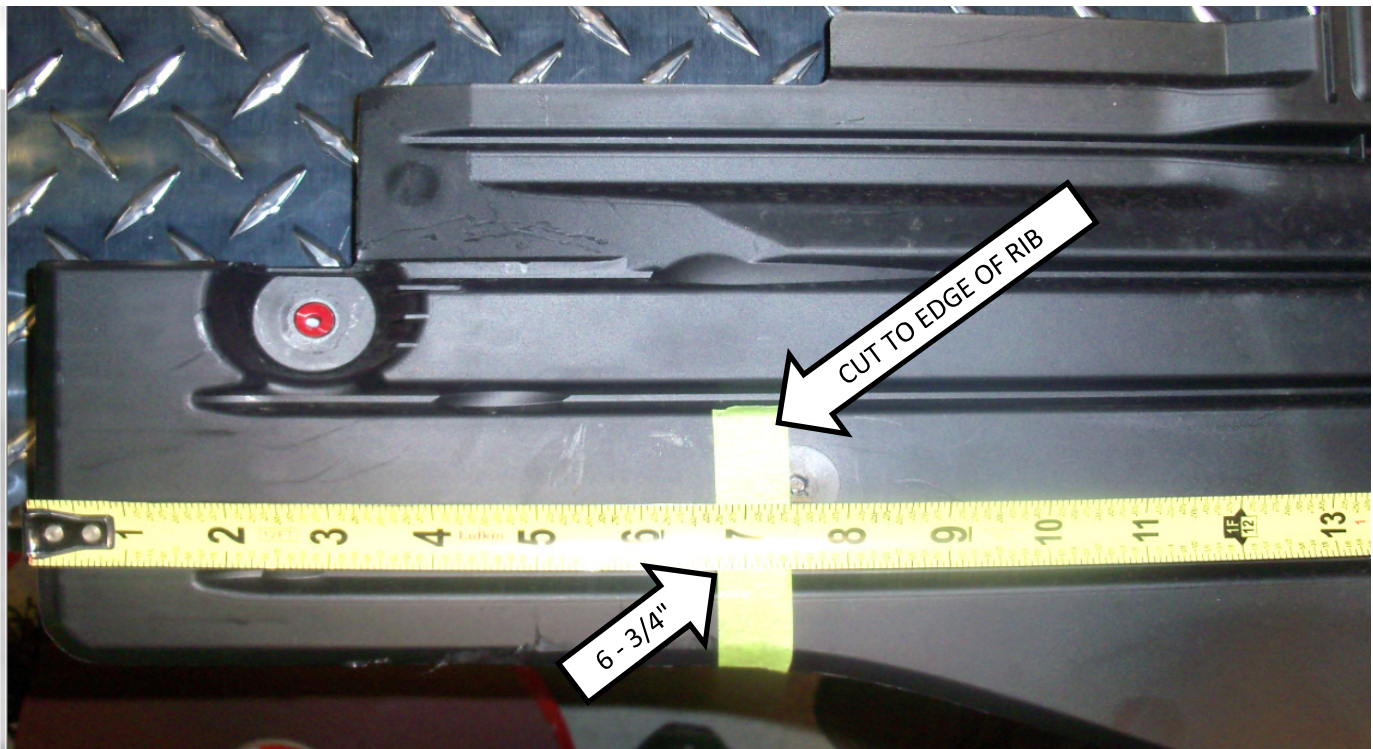


- 18** Once the rear inner bolt is tightened, tighten the bolts connecting the rear brace to the mounting bracket using a 13mm socket/wrench.



- 19** The plastic panel that was removed in Step 9 must be modified to make room for the brace before it can be reinstalled. Use tin snips or aviation snips to cut a notch.

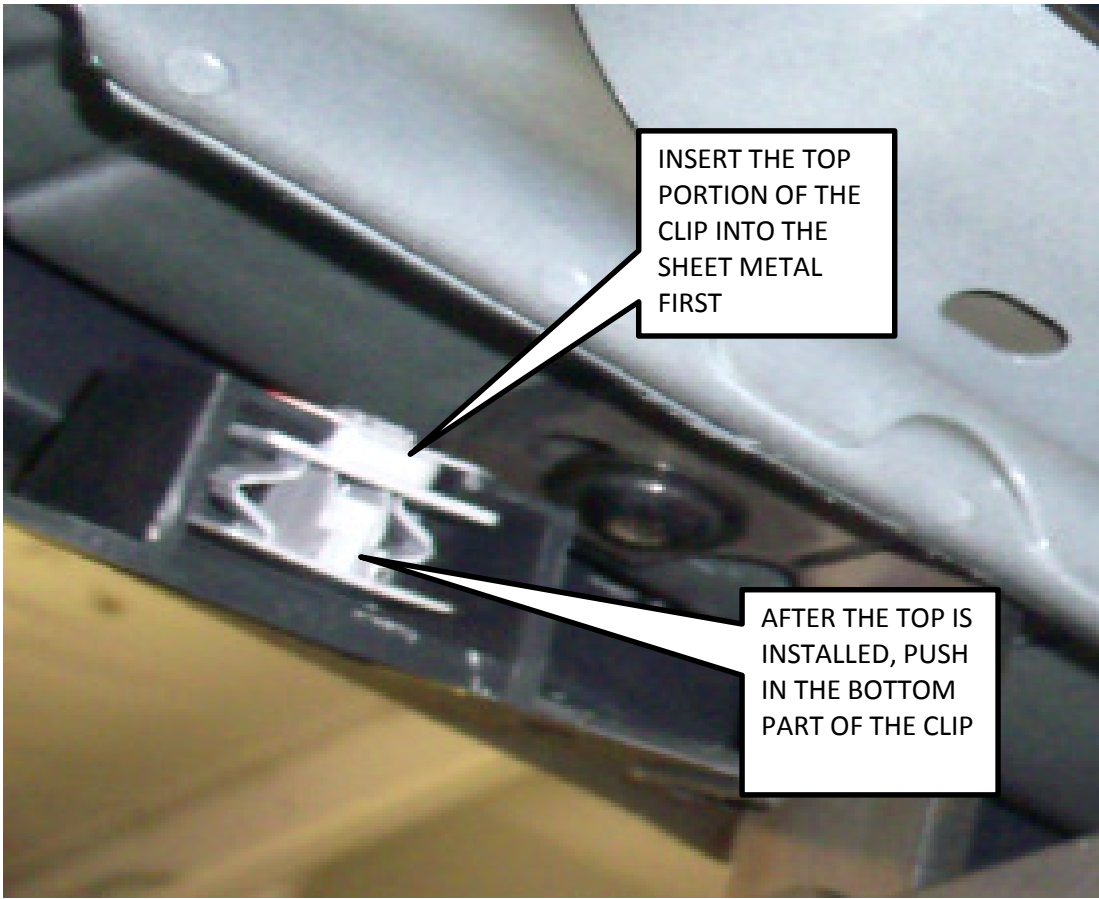
Measure from the edge as shown below. The start of the cut out will be at 6 -3/4". The notch needs to be 1/2" to 3/4" wide and extend to the second rib in the panel.



**20**

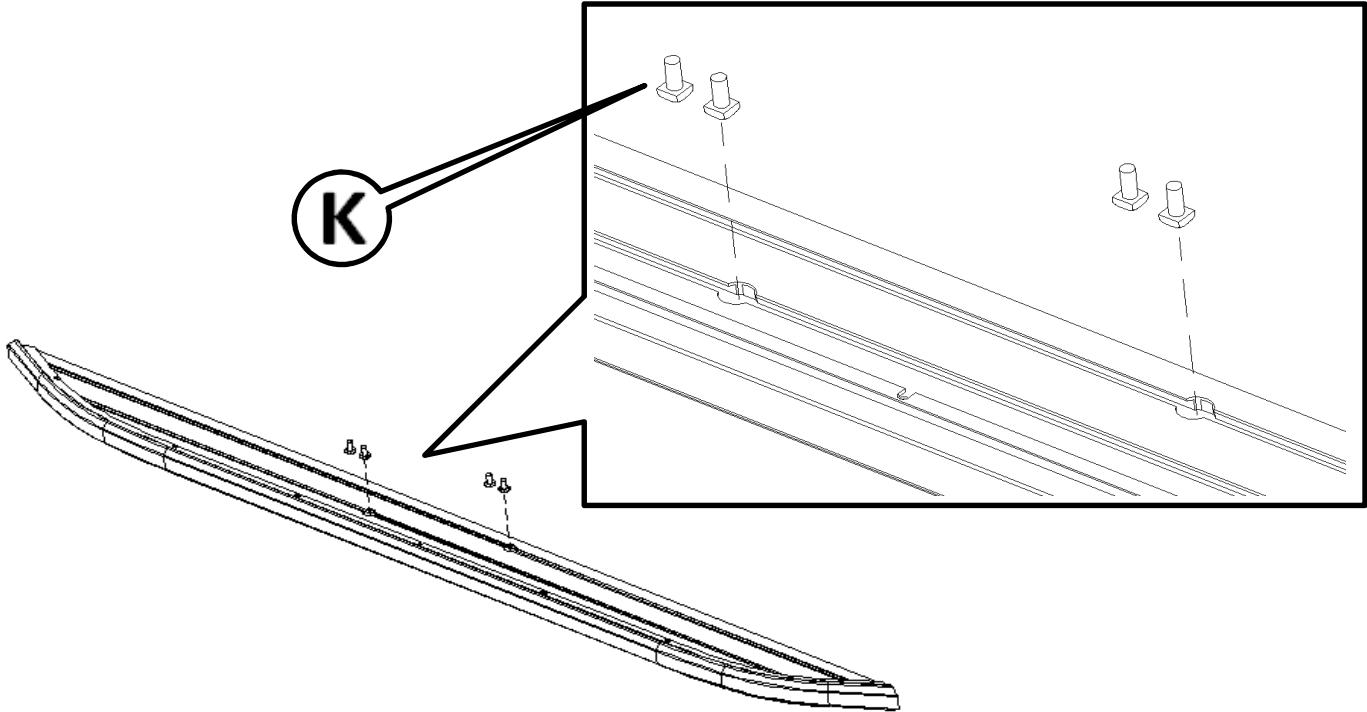
Once the panel has been trimmed, reinstall it using the 10mm sockets and the bolts that were removed earlier.

Reinstall the clips that attach the cladding to the vehicle.



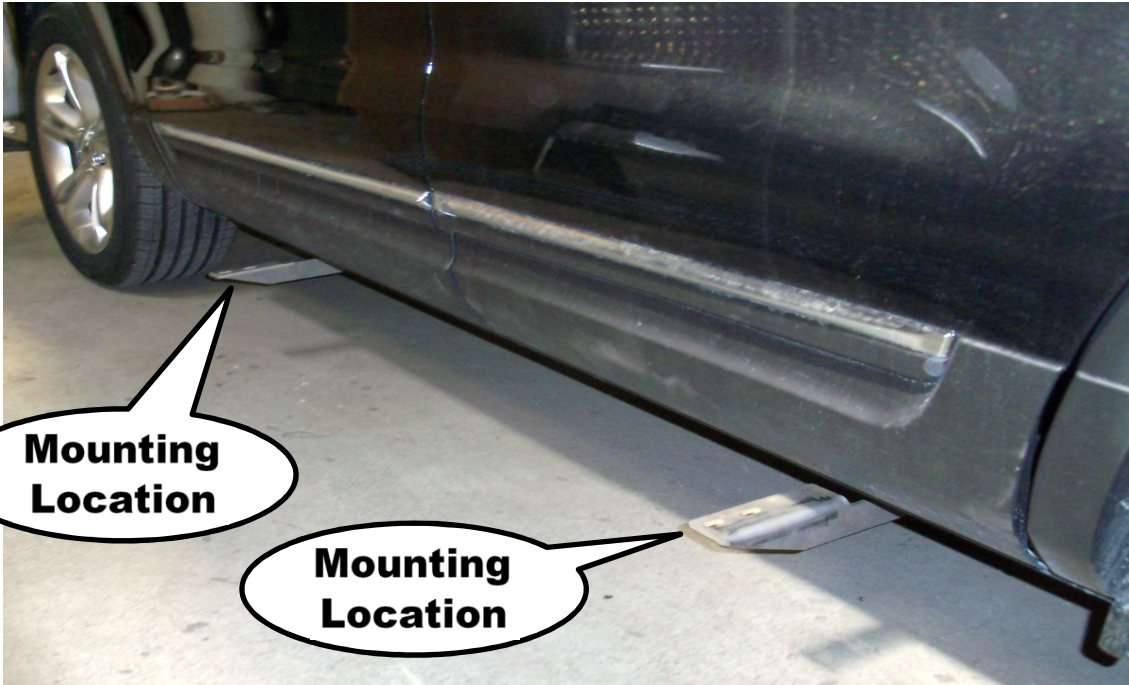
21

Slide two square head bolts [K] into the channels on the underside of the running board.



22

Line the bolts in the running board up with the slots in the braces.



Place the board on the braces with the bolts through the brace slots.



**15**

Slide the board to the desired location from front to rear. A tape measure may be used to insure the board is centered between the wheel wells. Slide the board in/out on the brace slots to place the board an even distance from the vehicle.



Attach the board to the braces using the flange nut [L]. Tighten all board bolts with a 13mm socket.



Check to make sure all bolts are tightened.  
Repeat process for passenger side.