



1-800-779-2102

Mon – Thurs: 8:00am - 5:00pm | Friday: 8:00am - 4:00pm CST

**INSPECT YOUR PRODUCT FOR DAMAGE & MISSING
PARTS BEFORE PROCEEDING TO INSTALLATION**

PROCEDURE FOR RETURNS OR MISSING HARDWARE

-PLEASE CONTACT THE ORIGINAL POINT OF PURCHASE FOR:
SHIPPING DAMAGE, RETURNS, OR WARRANTY CLAIMS

-CONTACT DEE ZEE DIRECTLY FOR MISSING PARTS OR HARDWARE

WWW.DEEZEE.COM

REGISTER YOUR PRODUCT ONLINE: www.deezee.com/registration

VIEW INSTRUCTIONS ONLINE: www.deezee.com/instructions

⚠️ WARNING: Cancer and Reproductive Harm
www.P65Warnings.ca.gov

Operating, servicing, and maintaining a passenger vehicle can expose you to chemicals such as lead, phthalates, engine exhaust, and carbon monoxide that are known to the State of California cause cancer and birth defects or other reproductive harm. To minimize exposure, service your vehicle and its accessories in a well-vented area and wear gloves or wash your hands frequently.



DEE ZEE, INC. WARRANTY AGREEMENT

Dee Zee, Inc. guarantees the original purchaser a limited lifetime warranty against manufacturer defects in materials, workmanship, and design under normal use, excluding damage resulting from road hazards such as gravel or other debris, product misuse, improper installation, impairments from accidents, product modifications, improper repairs, spills, vandalism, product neglect, or acts of God.

This warranty applies only to the original purchaser of new product(s) and is limited to the replacement of genuine Dee Zee products. Modification of any kind to Dee Zee products voids all warranty coverage. Warranty does not include electrical components, installation, cost of removal, labor, transportation costs, loss of use, inconvenience, or consequential damages.

WARRANTY COVERAGE - MATERIALS & WORKMANSHIP

LIMITED LIFETIME WARRANTY:

- STAINLESS STEEL: Side Steps, Grill Guards, Bull Bars, Bed Caps, and Side Rails
- ALUMINUM: Side Steps, Running Boards, Storage Boxes, Transfer Tanks, Bed Protection, Side Rails, Invis-A-Racks, and Cab Racks
- PLASTIC: Storage Boxes
- OTHER: Front and Rear Bumpers

THREE-YEAR WARRANTY:

- POWDER-COATED / E-COATED STEEL: Side Steps, Running Boards, Storage Boxes, Transfer Tanks, Cab Racks, Sport Bar Ladder Racks, Cargo Carriers, Mounting Brackets (NX, Rough Step, and Bumper Guards only)
- OTHER: Tailgate Assist, Bed Mats, Floor Mats, Auxiliary Fuel Connection Kits, and All Products Not Otherwise Listed Individually

WARRANTY COVERAGE – FINISH PROTECTION

The finish of all Dee Zee products is covered for one-year (1) from the date of purchase. Dee Zee products have a high quality finish that must be cared for and maintained like any other exposed finish on the vehicle. Protect the finish with non-abrasive automotive wax (e.g. Pure Carnuba) on a regular basis. Applying soaps, polishes, or waxes that contain an abrasive compound may scratch the finish and leave the exposed material susceptible to corrosion.

WARRANTY COVERAGE – COMPONENT PARTS

Operational items such as shocks, latches, hinges, and wear items including, but not limited to, mud flaps, step pads, toolbox tray, end caps, hardware, seals, etc. have a one-year (1) warranty. Replacement component parts can be ordered via credit card (MasterCard or VISA) by calling 1-800-779-2102. All replacement parts are non-returnable and non-refundable.

GPI® FUEL PUMPS & ACCESSORIES

All Great Plains Industries (GPI) products, including transfer tank pumps and fuel meters are covered by GPI's warranty policies. Dee Zee's warranty terms do not apply to GPI products. To submit a warranty claim, please contact GPI at 1-800-835-0113 or visit www.gpi.net.

WARRANTY SUBMISSION PROCEDURE

All warranty claims will be initiated at the place of purchase. The original purchaser will be required to present the original sales receipt with purchase date shown and provide photographs of the defect.

In the event the originally purchased product style is no longer available, Dee Zee will warranty the defective part with a current equivalent. If a comparable product is no longer available, the product would be returned to the store of purchase for a refund or the applicable cost difference can be paid to choose an alternate style.

DISCLAIMER

All products are sold as appearance accessories and should not be relied upon as protection for the vehicle or its occupants in the event of an accident. Vehicles equipped with a supplemental restraints system (air bags) deployed by impact and collision avoidance systems should not be modified in any way. Always consult the vehicle manufacturer if you have any questions regarding supplemental restraint systems and sensors.

Buyer must accommodate front and rear sensors during product installation and assumes all risk should these be tampered, rerouted, severed, or disconnected. This includes disabling visual, audio, or vibration alerts into the cab. Buyer assumes all risk and responsibility for wiring any supplemental auxiliary lights.

Buyer assumes all risk, liability, and cost for the installation and use of Dee Zee products. Dee Zee, Inc. assumes no liability for injury, loss, incidental or consequential damages in the event of an accident.



Thank you for choosing Dee Zee to add function and accessorize your vehicle. Dee Zee has been a staple brand in the truck accessory market since 1977 and we hold a reputation of quality manufacturing based in America's Heartland. Our products are born through careful engineering and backed by industry leading warranty programs. We appreciate the opportunity to serve you and your vehicle!

Review the instruction pages in their entirety to prepare the required tools

Warning: Please check for wiring or other obstructions before drilling any holes in the vehicle. If it is necessary to drill any holes, Dee Zee recommends putting a sealant or rust inhibitory around all holes drilled into the body of the vehicle.

It is the sole responsibility of the vehicle owner to check for tire clearance. It is unlawful and dangerous to ride on any external vehicle step while the vehicle is in motion.

Cleaning: To be entitled to all warranty rights offered with the product, Dee Zee steps need to be cleaned regularly with a mild detergent. Do NOT use abrasive cleaners. For stainless steel products, the application of a high grade automotive wax is recommended.

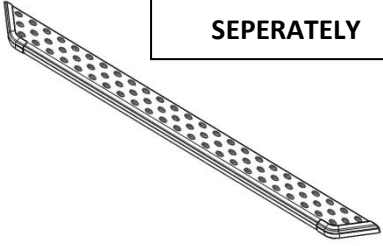
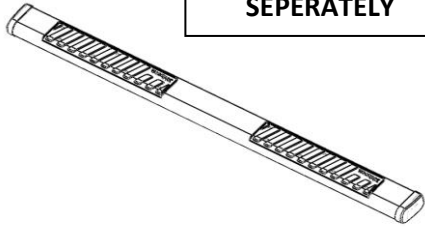
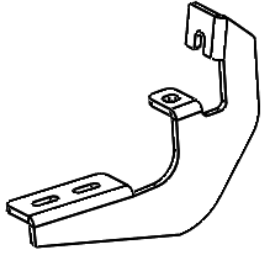
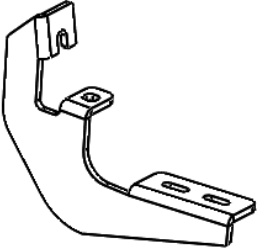
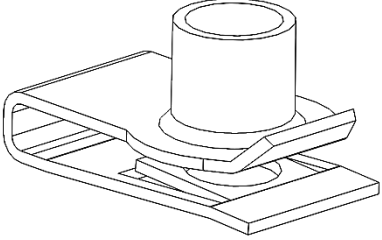
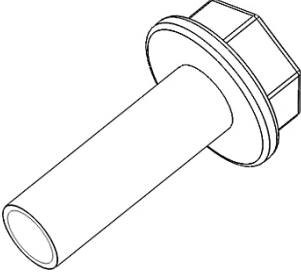
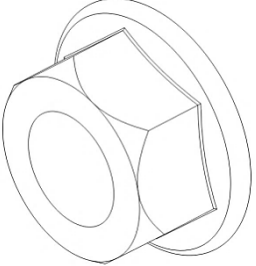




Dee Zee Cares - Please Recycle

For an electronic version of these instructions visit: www.deezee.com/instructions

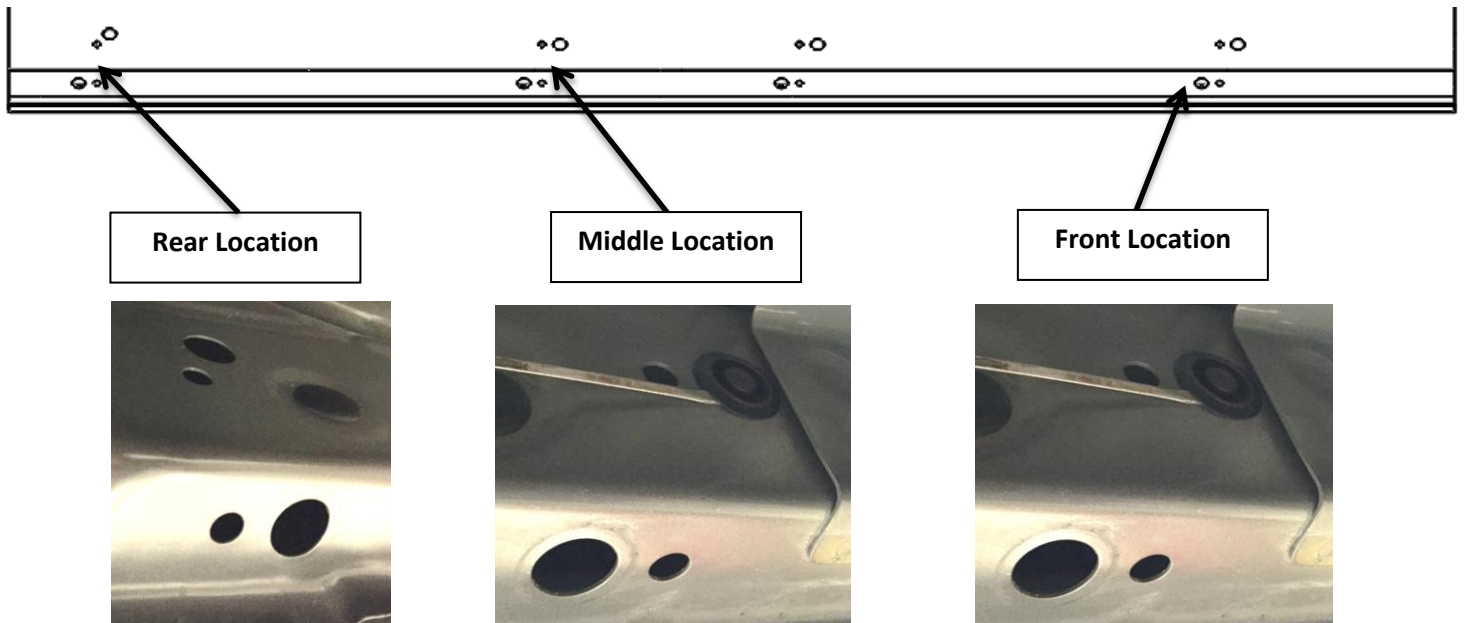
Register your product online: www.deezee.com/registration

NXt Running Board / 6" Step Tube Installation Instructions DZ 16319 (2015-Current) CHEVY Colorado / GMC Canyon

<div style="border: 1px solid black; padding: 5px; margin-bottom: 5px;"> A NXt Running Board <div style="border: 1px solid black; padding: 2px; text-align: center; margin: 5px 0;"> ***BOARDS SOLD SEPERATELY </div>  </div> <p style="margin-top: 10px;">Various X2</p>	<div style="border: 1px solid black; padding: 5px; margin-bottom: 5px;"> B 6" Oval Step Tube <div style="border: 1px solid black; padding: 2px; text-align: center; margin: 5px 0;"> ***TUBES SOLD SEPERATELY </div>  </div> <p style="margin-top: 10px;">Various X2</p>	<div style="border: 1px solid black; padding: 5px; margin-bottom: 5px;"> C Left Bracket  </div> <p style="margin-top: 10px;">B 2451LP X3</p>
<div style="border: 1px solid black; padding: 5px; margin-bottom: 5px;"> D Right Bracket  </div> <p style="margin-top: 10px;">B 2451RP X3</p>	<div style="border: 1px solid black; padding: 5px; margin-bottom: 5px;"> E 8mm U-nut  </div> <p style="margin-top: 10px;">PN 909 X12 X12 come with Step Tube</p>	<div style="border: 1px solid black; padding: 5px; margin-bottom: 5px;"> F 8mm Hex Flange Bolt  </div> <p style="margin-top: 10px;">PN 527 X12 X12 come with Step Tube</p>
<div style="border: 1px solid black; padding: 5px; margin-bottom: 5px;"> G 8mm Hex Flange Nut  </div> <p style="margin-top: 10px;">PN 526 X12</p>	<p style="text-align: center; margin-bottom: 10px;">Tools Required</p> <div style="display: flex; justify-content: space-around; align-items: center;"> <div style="text-align: center;">  <p>Ratchet / Wrench 13mm</p> </div> <div style="text-align: center;">  <p>Straight Blade Screwdriver</p> </div> </div>	

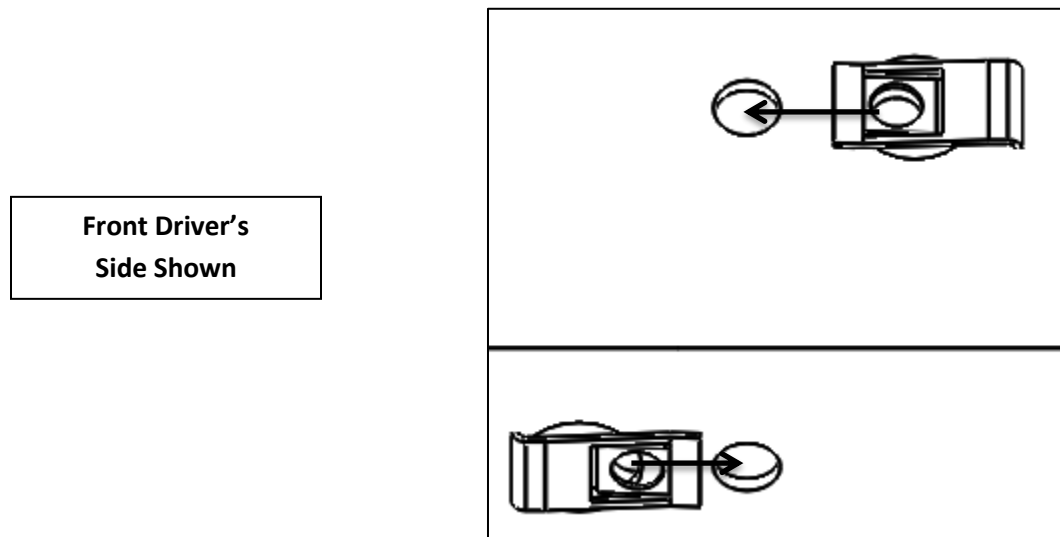
1

Using a straight blade screw driver, pry the plastic caps out of the holes at the front location and both of the rear locations, as shown below. Both the Crew Cab and Double Cab have the same hole configurations.



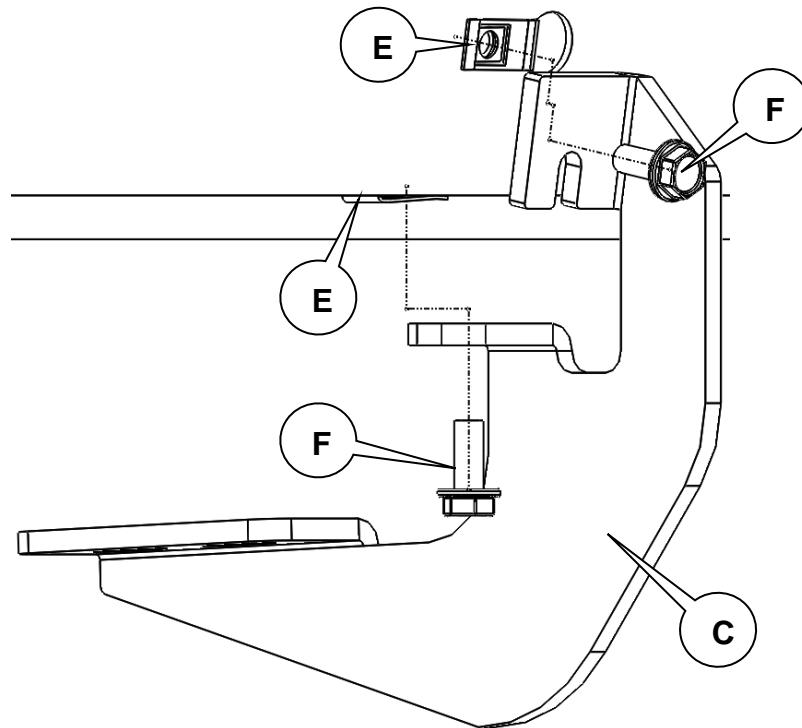
2

Install an 8mm U-nut (E) through each hole location that was covered by a plastic cap. To do this, insert the U-nut (E) into the hole and slide the U-nut (E) over so that the holes on the U-nut (E) and the vehicle are aligned, as illustrated below.

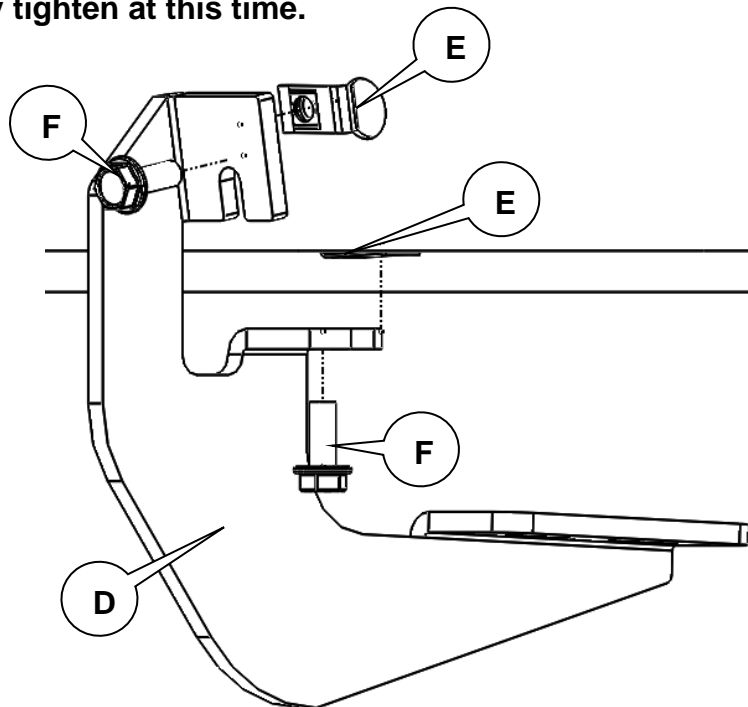


3

Attach a Right Bracket (C) to the Front Driver's Location, the Middle Passenger's Location, and the Rear Passenger's Location using two 8mm Hex Head Bolts (F) at each location. Do not completely tighten at this time.

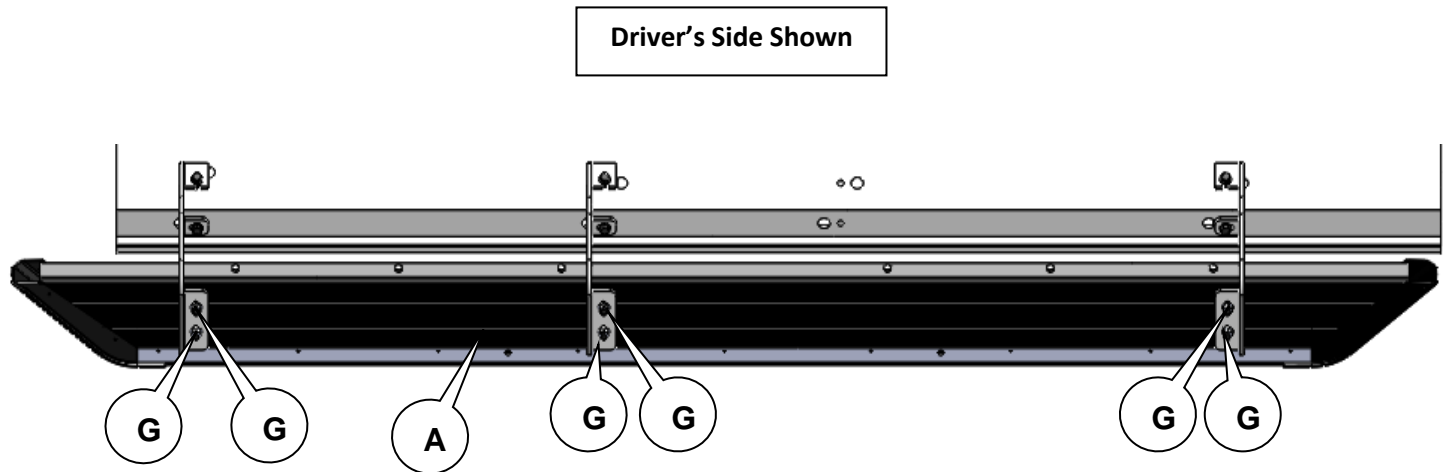
**4**

Attach a Left Bracket (D) to the Middle Driver's Location, the Rear Driver's Location, and the Front Passenger's Location using two 8mm Hex Head Bolts (F) at each location. Do not completely tighten at this time.



5a This step is for installing NXt Running Boards ONLY. Go to step 6a for Step Tubes. Go to step 7a for Molded Side Steps.

Attach the NXt Running Board (A) to the braces. Move the bolts that are attached in the channels of the board so that they are in the slots of the brackets. Attach the M8 Nuts (G) using a 13 mm ratchet or wrench to the bolts once they are through the slot. Do not completely tighten the nuts at this time. Repeat on other side.



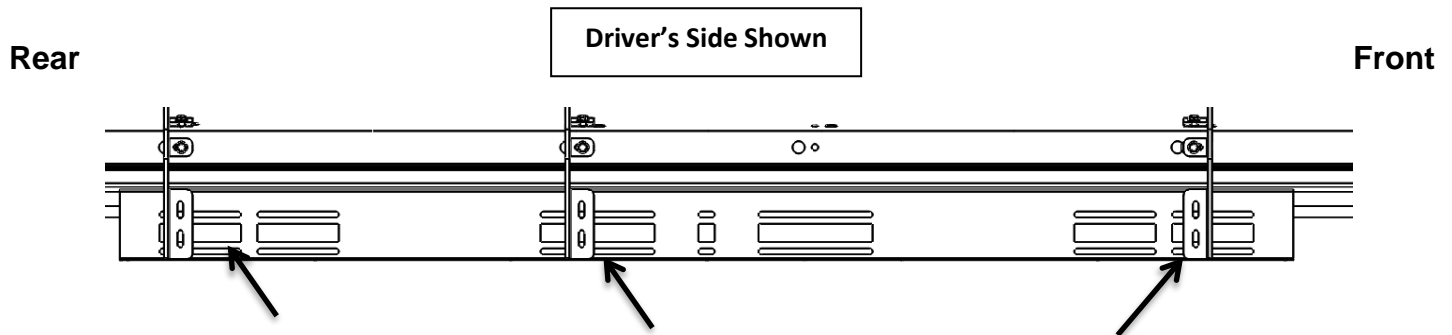
5b This step is for installing NXt Running Boards ONLY. Go to step 6a for Step Tubes. Go to step 7a for Molded Side Steps.

Adjust the board as necessary front to back. Once the board is in the desired location front to back, tighten the Nuts (G) that connect the board to braces. Repeat for other side.

Adjust the board as necessary up and down. Once the board is in the desired location up and down, tighten the Bolts (F) that connect the braces to the truck. Repeat for the other side.

6a This step is for installing 6" Oval Step Tubes ONLY. Go to step 5a for NXt Running Boards. Go to step 7a for Molded Side Steps.

Set the tube on the brackets and adjust as necessary front to back. Look under the tube to determine which sets of slots will be used to attach the tube to the braces.



Remove the tube and install the 8mm U-nuts that came with the Step Tubes (J) into the slots identified above. Use 2 U-nuts per brace location. Repeat on other side

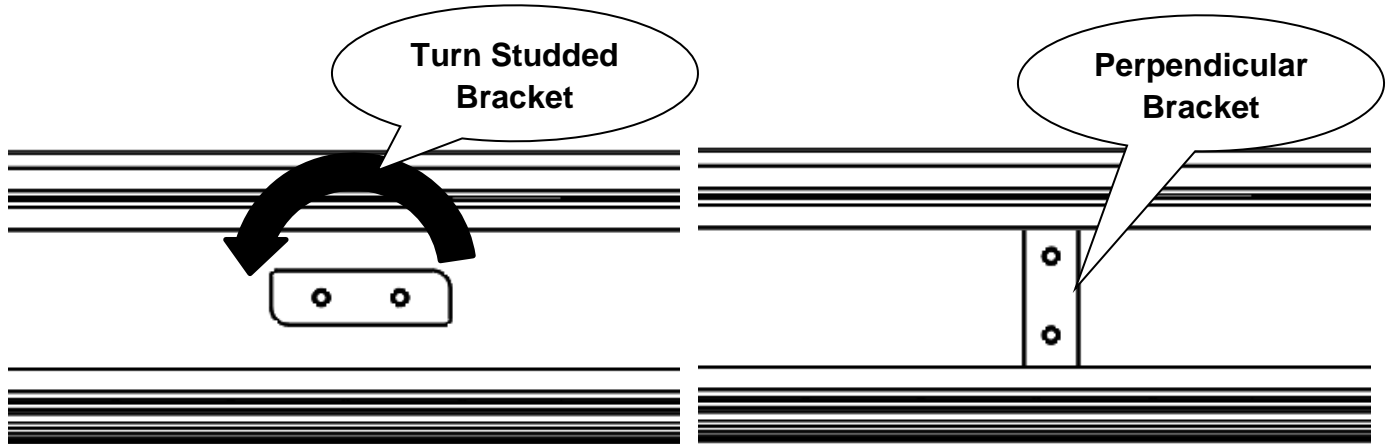
6b This step is for installing 6" Oval Step Tubes ONLY. Go to step 5a for NXt Running Boards. Go to step 7a for Molded Side Steps.

Attach the tube to the braces using the 8mm x 20 mm Bolt that came with the Step Tubes (F). Tighten bolts with a 13mm wrench or socket. Repeat for other side.

Adjust the tube as necessary up and down. Once the tube is in the desired location up and down, tighten the Bolts (F) that connect the braces to the truck. Repeat for the other side.

7a This Step is for installing the Molded Side Step ONLY. Go to step 5a for NXt Running Boards. Go to step 6a for Step Tubes.

Place the Studded Brackets inside of the Molded board and twist the bracket until the brackets are perpendicular to the board. Use the same number of studded brackets as there are vehicle brackets on one side of the vehicle. Repeat step on both boards.



7b This Step is for installing the Molded Side Step ONLY. Go to step 5a for NXt Running Boards. Go to step 6a for Step Tubes.

Install the board with studded brackets through the braces on the vehicle and install nuts on the studded brackets. Ensure Metal Framework of the board is touching the brace on both sides. Center the Board front to back and Fully Tighten Hardware and Repeat on the other side.

