



**1-800-779-2102**

Mon – Thurs: 8:00am - 5:00pm | Friday: 8:00am - 4:00pm CST

**INSPECT YOUR PRODUCT FOR DAMAGE & MISSING  
PARTS BEFORE PROCEEDING TO INSTALLATION**

**PROCEDURE FOR RETURNS OR MISSING HARDWARE**

-PLEASE CONTACT THE ORIGINAL POINT OF PURCHASE FOR:  
SHIPPING DAMAGE, RETURNS, OR WARRANTY CLAIMS

-CONTACT DEE ZEE DIRECTLY FOR MISSING PARTS OR HARDWARE

**WWW.DEEZEE.COM**

REGISTER YOUR PRODUCT ONLINE: [www.deezee.com/registration](http://www.deezee.com/registration)

VIEW INSTRUCTIONS ONLINE: [www.deezee.com/instructions](http://www.deezee.com/instructions)

---

**⚠️ WARNING:** Cancer and Reproductive Harm  
[www.P65Warnings.ca.gov](http://www.P65Warnings.ca.gov)

Operating, servicing, and maintaining a passenger vehicle can expose you to chemicals such as lead, phthalates, engine exhaust, and carbon monoxide that are known to the State of California cause cancer and birth defects or other reproductive harm. To minimize exposure, service your vehicle and its accessories in a well-vented area and wear gloves or wash your hands frequently.



## DEE ZEE, INC. WARRANTY AGREEMENT

Dee Zee, Inc. guarantees the original purchaser a limited lifetime warranty against manufacturer defects in materials, workmanship, and design under normal use, excluding damage resulting from road hazards such as gravel or other debris, product misuse, improper installation, impairments from accidents, product modifications, improper repairs, spills, vandalism, product neglect, or acts of God.

This warranty applies only to the original purchaser of new product(s) and is limited to the replacement of genuine Dee Zee products. Modification of any kind to Dee Zee products voids all warranty coverage. Warranty does not include electrical components, installation, cost of removal, labor, transportation costs, loss of use, inconvenience, or consequential damages.

### WARRANTY COVERAGE - MATERIALS & WORKMANSHIP

#### LIMITED LIFETIME WARRANTY:

- STAINLESS STEEL: Side Steps, Grill Guards, Bull Bars, Bed Caps, and Side Rails
- ALUMINUM: Side Steps, Running Boards, Storage Boxes, Transfer Tanks, Bed Protection, Side Rails, Invis-A-Racks, and Cab Racks
- PLASTIC: Storage Boxes
- OTHER: Front and Rear Bumpers

#### THREE-YEAR WARRANTY:

- POWDER-COATED / E-COATED STEEL: Side Steps, Running Boards, Storage Boxes, Transfer Tanks, Cab Racks, Sport Bar Ladder Racks, Cargo Carriers, Mounting Brackets (NX, Rough Step, and Bumper Guards only)
- OTHER: Tailgate Assist, Bed Mats, Floor Mats, Auxiliary Fuel Connection Kits, and All Products Not Otherwise Listed Individually

### WARRANTY COVERAGE – FINISH PROTECTION

The finish of all Dee Zee products is covered for one-year (1) from the date of purchase. Dee Zee products have a high quality finish that must be cared for and maintained like any other exposed finish on the vehicle. Protect the finish with non-abrasive automotive wax (e.g. Pure Carnauba) on a regular basis. Applying soaps, polishes, or waxes that contain an abrasive compound may scratch the finish and leave the exposed material susceptible to corrosion.

### WARRANTY COVERAGE – COMPONENT PARTS

Operational items such as shocks, latches, hinges, and wear items including, but not limited to, mud flaps, step pads, toolbox tray, end caps, hardware, seals, etc. have a one-year (1) warranty. Replacement component parts can be ordered via credit card (MasterCard or VISA) by calling 1-800-779-2102. All replacement parts are non-returnable and non-refundable.

## **GPI® FUEL PUMPS & ACCESSORIES**

All Great Plains Industries (GPI) products, including transfer tank pumps and fuel meters are covered by GPI's warranty policies. Dee Zee's warranty terms do not apply to GPI products. To submit a warranty claim, please contact GPI at 1-800-835-0113 or visit [www.gpi.net](http://www.gpi.net).

### **WARRANTY SUBMISSION PROCEDURE**

All warranty claims will be initiated at the place of purchase. The original purchaser will be required to present the original sales receipt with purchase date shown and provide photographs of the defect.

In the event the originally purchased product style is no longer available, Dee Zee will warranty the defective part with a current equivalent. If a comparable product is no longer available, the product would be returned to the store of purchase for a refund or the applicable cost difference can be paid to choose an alternate style.

### **DISCLAIMER**

All products are sold as appearance accessories and should not be relied upon as protection for the vehicle or its occupants in the event of an accident. Vehicles equipped with a supplemental restraints system (air bags) deployed by impact and collision avoidance systems should not be modified in any way. Always consult the vehicle manufacturer if you have any questions regarding supplemental restraint systems and sensors.

Buyer must accommodate front and rear sensors during product installation and assumes all risk should these be tampered, rerouted, severed, or disconnected. This includes disabling visual, audio, or vibration alerts into the cab. Buyer assumes all risk and responsibility for wiring any supplemental auxiliary lights.

Buyer assumes all risk, liability, and cost for the installation and use of Dee Zee products. Dee Zee, Inc. assumes no liability for injury, loss, incidental or consequential damages in the event of an accident.



Thank you for choosing Dee Zee to add function and accessorize your vehicle. Dee Zee has been a staple brand in the truck accessory market since 1977 and we hold a reputation of quality manufacturing based in America's Heartland. Our products are born through careful engineering and backed by industry leading warranty programs. We appreciate the opportunity to serve you and your vehicle!

**Review the instruction pages in their entirety to prepare the required tools**

**Warning:** Please check for wiring or other obstructions before drilling any holes in the vehicle. If it is necessary to drill any holes, Dee Zee recommends putting a sealant or rust inhibitory around all holes drilled into the body of the vehicle.

It is the sole responsibility of the vehicle owner to check for tire clearance. It is unlawful and dangerous to ride on any external vehicle step while the vehicle is in motion.

**Cleaning:** To be entitled to all warranty rights offered with the product, Dee Zee steps need to be cleaned regularly with a mild detergent. Do NOT use abrasive cleaners. For stainless steel products, the application of a high grade automotive wax is recommended.



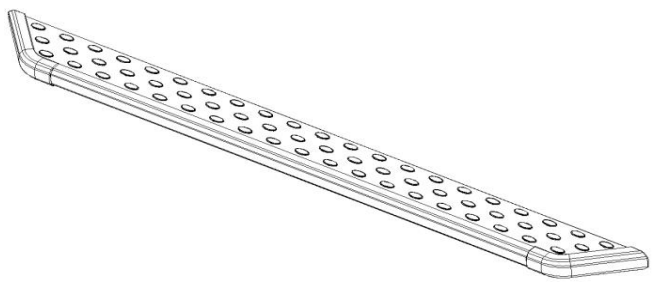
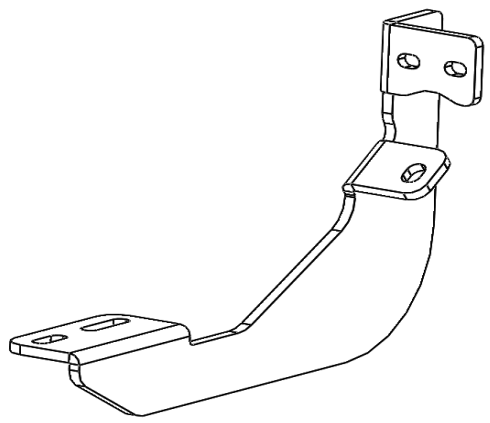
Dee Zee Cares - Please Recycle

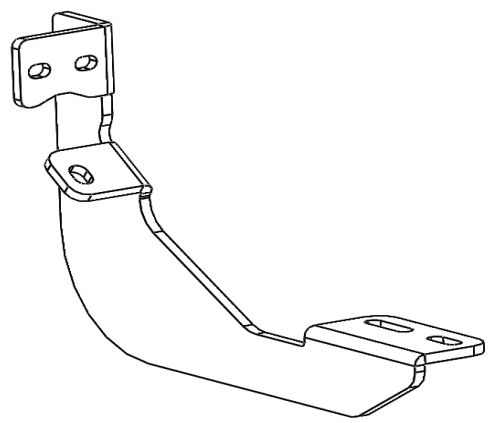
For an electronic version of these instructions visit: [www.deezee.com/instructions](http://www.deezee.com/instructions)

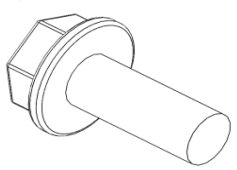
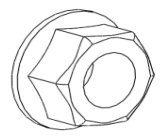
Register your product online: [www.deezee.com/registration](http://www.deezee.com/registration)

# NXT RUNNING BOARD INSTALLATION INSTRUCTION

## DZ 16355 NISSAN TITAN 2016-CURRENT

<div style="display: flex; justify-content: space-between;"> <span style="font-size: 24px; font-weight: bold;">A</span> <span>SIDE STEP TUBE</span> </div> <div style="text-align: center; margin-top: 20px;">  </div> <div style="margin-top: 20px;"> <p>*** BOARD SOLD SEPARATELY</p> </div>	<div style="display: flex; justify-content: space-between;"> <span style="font-size: 24px; font-weight: bold;">B</span> <span>BRACKET RIGHT HAND</span> </div> <div style="text-align: center; margin-top: 20px;">  </div> <div style="display: flex; justify-content: space-between; margin-top: 20px;"> <span>X2</span> <span>B 2401RP</span> <span>X3</span> </div>
---	--

<div style="display: flex; justify-content: space-between;"> <span style="font-size: 24px; font-weight: bold;">C</span> <span>BRACKET LEFT HAND</span> </div> <div style="text-align: center; margin-top: 20px;">  </div> <div style="display: flex; justify-content: space-between; margin-top: 20px;"> <span>B 2401LP</span> <span>X3</span> </div>	
---	--

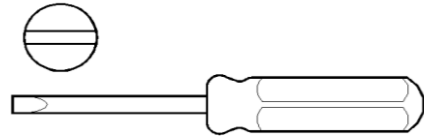
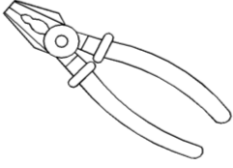
<div style="display: flex; justify-content: space-between;"> <span style="font-size: 24px; font-weight: bold;">D</span> <span>8mm X 25mm FLANGE HEAD BOLT</span> </div> <div style="text-align: center; margin-top: 20px;">  </div> <div style="display: flex; justify-content: space-between; margin-top: 20px;"> <span>PN 525</span> <span>X12</span> </div>	<div style="display: flex; justify-content: space-between;"> <span style="font-size: 24px; font-weight: bold;">E</span> <span>8mm FLANGE HEAD NUT</span> </div> <div style="text-align: center; margin-top: 20px;">  </div> <div style="display: flex; justify-content: space-between; margin-top: 20px;"> <span>PN 526</span> <span>X12</span> </div>		
---	---	--	--

--	--	--	--

## TOOLS REQUIRED

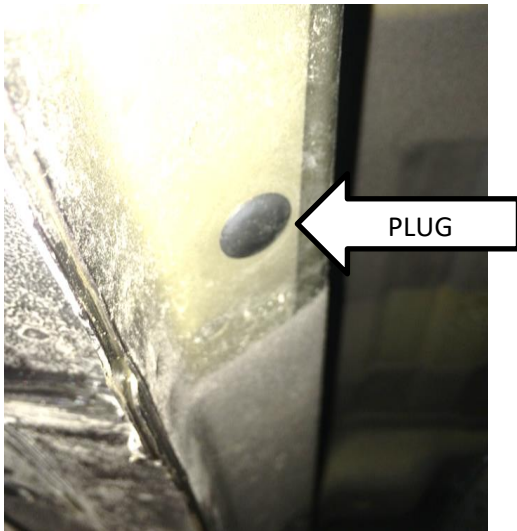
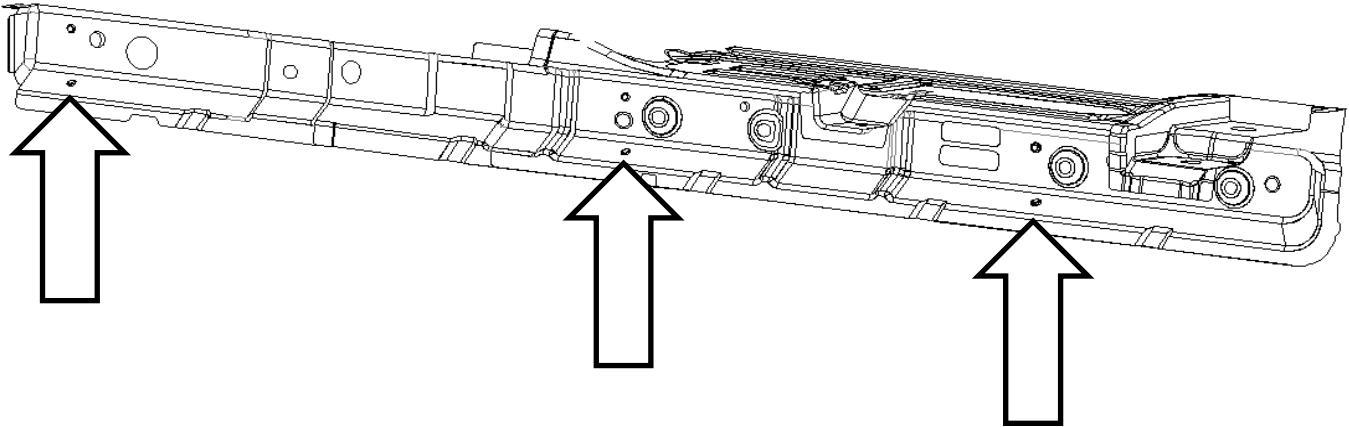
WRENCH/RATCHET

13mm



**1**

On the inner rocker panel, remove the 3 plugs from the lower mounting holes. The driver's side is shown. The front of the vehicle is to the right in the picture.

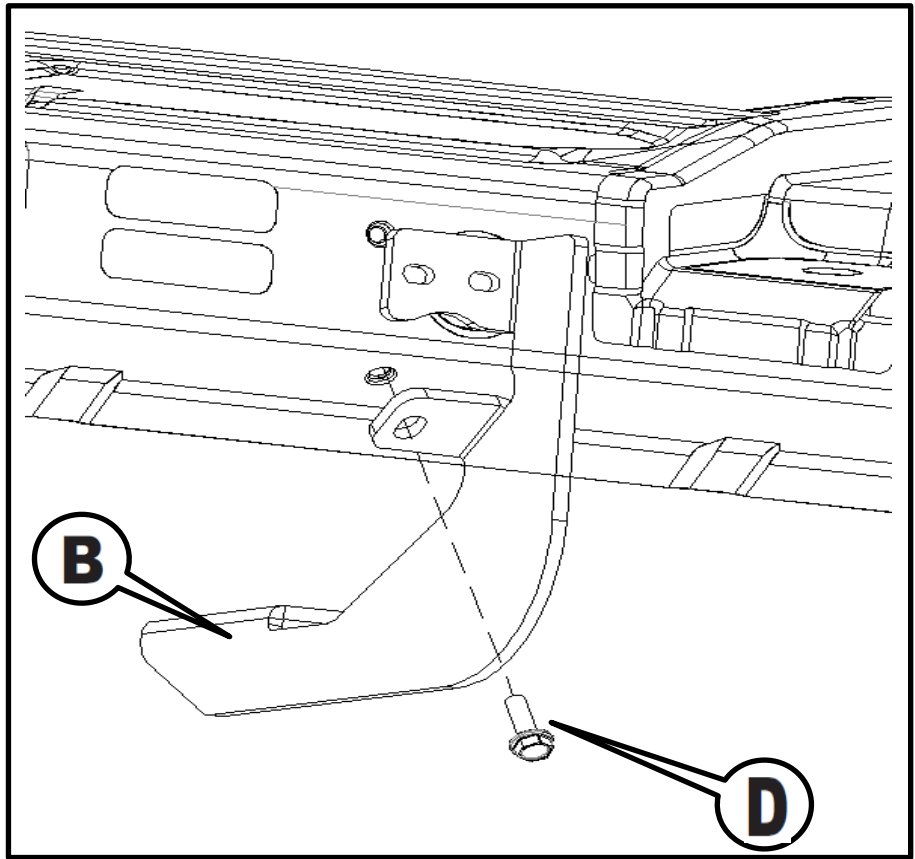


Use a standard screwdriver to lift the edge of the plug and a pair of pliers to pull the plug out.

Discard the plugs.

The regular cab does not have a middle mounting location. Extra brackets and hardware may be discarded.

**2** Attached the mounting brackets [B] to the lower mounting locations where the plug was removed using the 8mm x 25mm bolt [D].

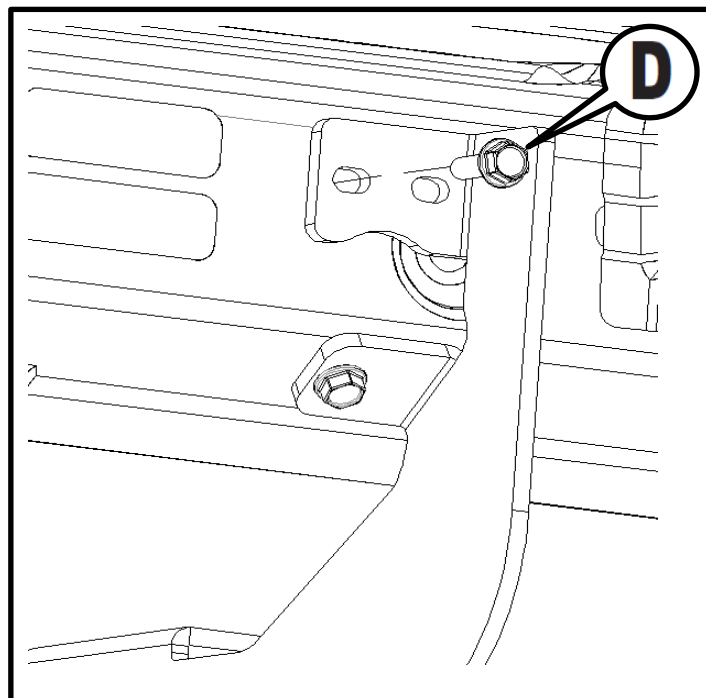


Bracket [C] will be used for the mounting locations on the passenger side.

Do not completely tighten at this time.

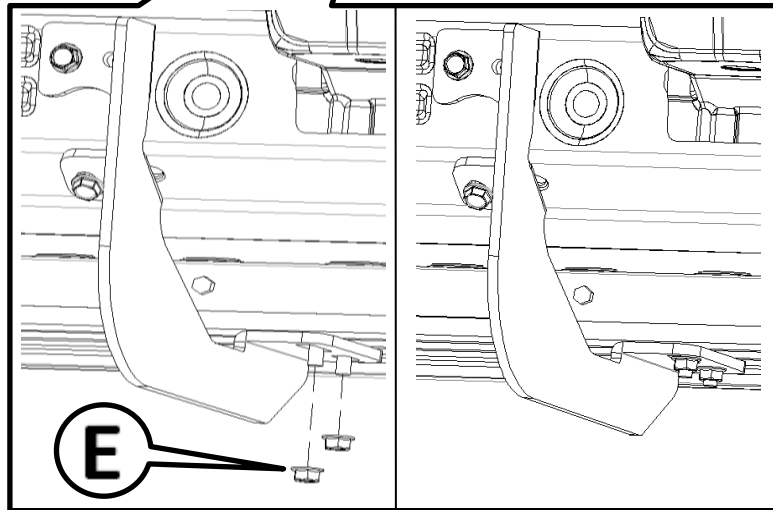
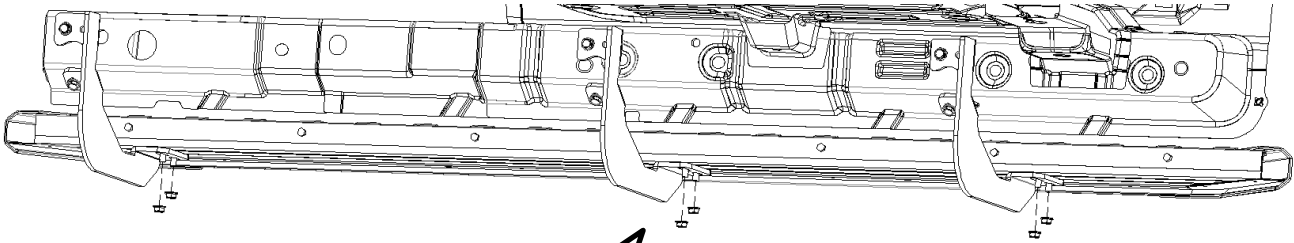
Attached the mounting brackets [B] to the upper mounting locations where the plug was removed using the 8mm x 25mm bolt [D].

Depending on the brace location on the vehicle and the cab style of the truck, the upper mounting bolt will be used in one of the two slots. Check for the location of the weld nut in the vehicle and use the appropriate slot.

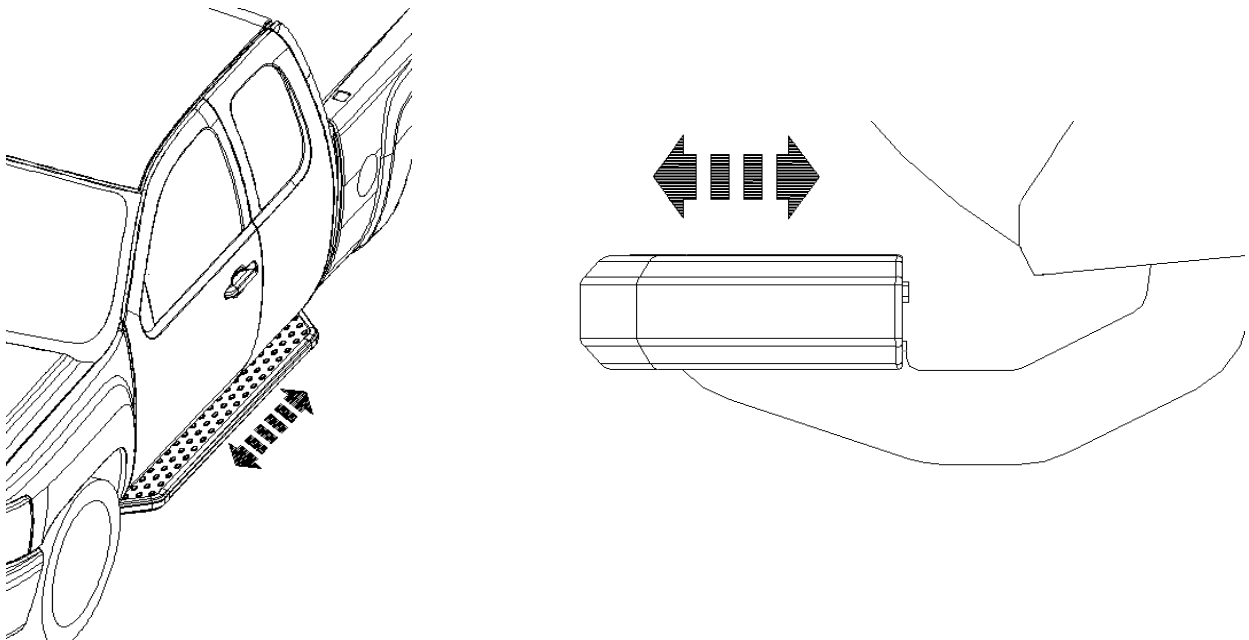


Do not completely tighten at this time.

- 3** Align the bolts in the channels on the underside of the running board with the slots in the mounting braces and loosely attach the board to the brace at each location with the 8mm nuts [E]. Do not completely tighten at this time.



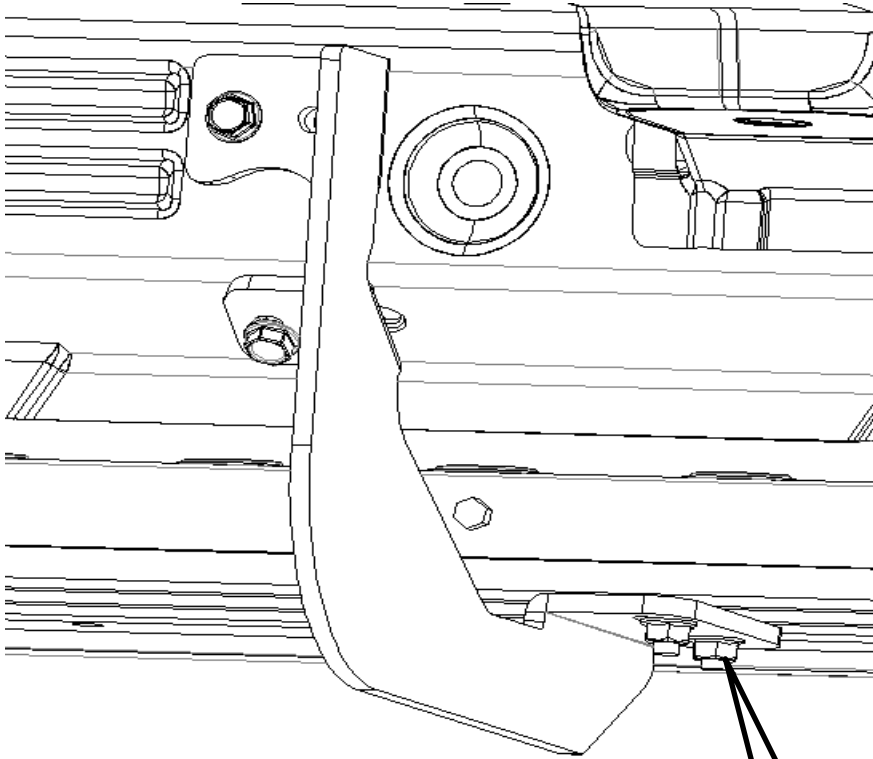
- 4** Using a 13mm socket/wrench, tighten the bolts that attach the brace to the vehicle. Once all of the braces have been tightened, adjust the board front/back and in/out to align it with the vehicle.





**5**

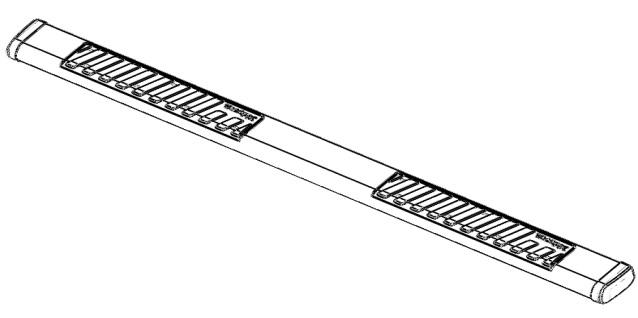
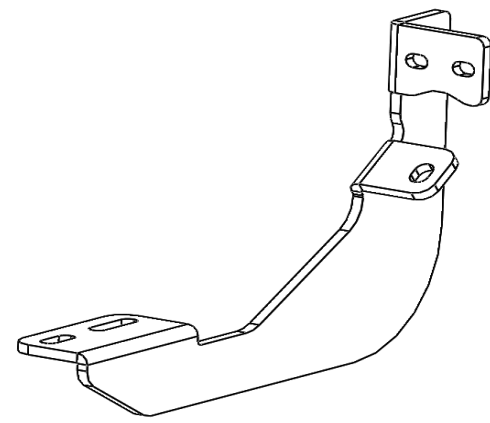
Once the board location has been set, tighten the nuts holding the board to the braces using a 13mm socket/wrench.

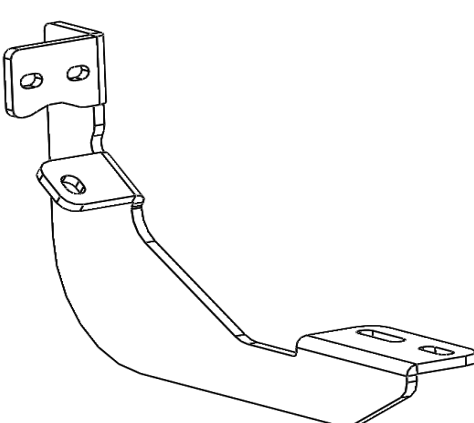


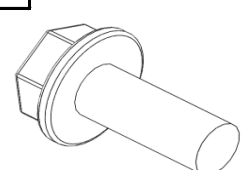
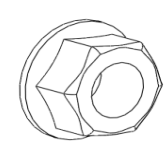
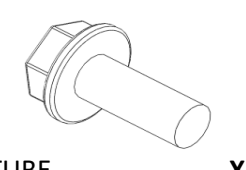
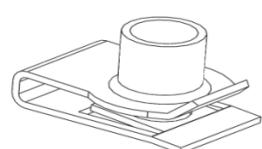
**TIGHTEN**

Make sure all bolts are tightened. Repeat steps for other side.

# 6" OVAL SIDE STEP INSTALLTION DZ 16355 NISSAN TITAN 12016-CURRENT

<div style="display: flex; justify-content: space-between;"> <span style="font-size: 24px; font-weight: bold;">A</span> <span>SIDE STEP TUBE</span> </div>  <p style="margin-top: 20px;">*** TUBE SOLD SEPARATELY</p>	<div style="display: flex; justify-content: space-between;"> <span style="font-size: 24px; font-weight: bold;">B</span> <span>BRACKET LEFT HAND</span> </div>  <p style="text-align: right; margin-top: 20px;"><b>X2</b> B 2401LP <b>X3</b></p>
--	---

<div style="display: flex; justify-content: space-between;"> <span style="font-size: 24px; font-weight: bold;">C</span> <span>BRACKET RIGHT HAND</span> </div>  <p style="margin-top: 20px;"><b>B 2401RP</b> <b>X3</b></p>	
--	--

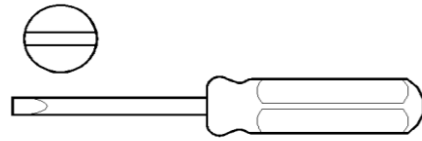
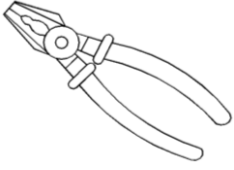
<div style="display: flex; justify-content: space-between;"> <span style="font-size: 24px; font-weight: bold;">D</span> <span>8mm X 25mm FLANGE HEAD BOLT</span> </div>  <p style="margin-top: 10px;"><b>PN 525</b> <b>X12</b></p>	<div style="display: flex; justify-content: space-between;"> <span style="font-size: 24px; font-weight: bold;">E</span> <span>8mm FLANGE HEAD NUT</span> </div>  <p style="margin-top: 10px;"><b>PN 526</b> <b>X12</b></p>	<div style="display: flex; justify-content: space-between;"> <span style="font-size: 24px; font-weight: bold;">F</span> <span>8mm X 20mm FLANGE HEAD BOLT</span> </div>  <p style="margin-top: 10px;"><b>FROM TUBE BOLT PACK</b> <b>X8</b></p>	<div style="display: flex; justify-content: space-between;"> <span style="font-size: 24px; font-weight: bold;">G</span> <span>8mm U-NUT</span> </div>  <p style="margin-top: 10px;"><b>FROM TUBE BOLT PACK</b> <b>X8</b></p>
---	---	--	---

--	--	--	--

## TOOLS REQUIRED

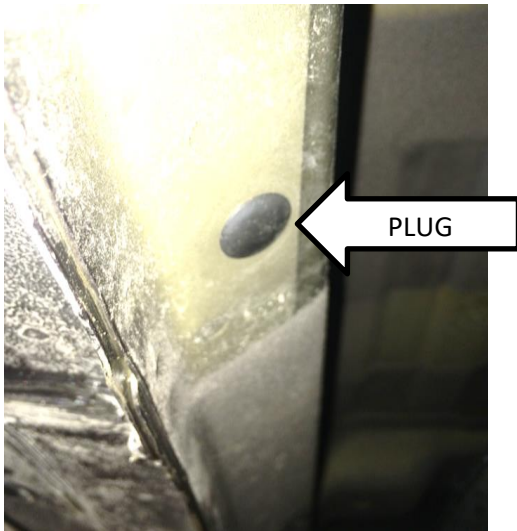
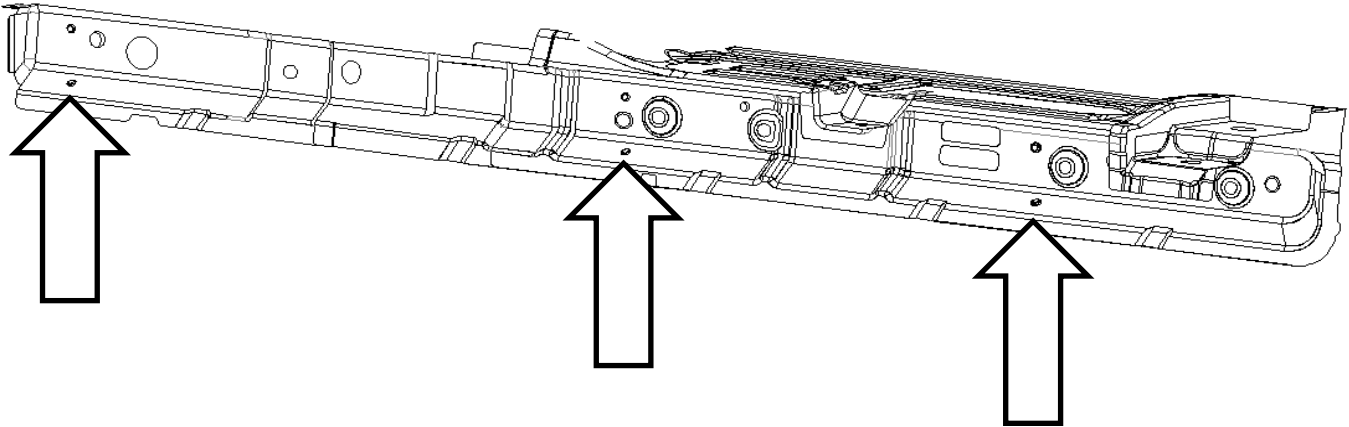
WRENCH/RATCHET

13mm



**1**

On the inner rocker panel, remove the 3 plugs from the lower mounting holes. The driver's side is shown. The front of the vehicle is to the right in the picture.

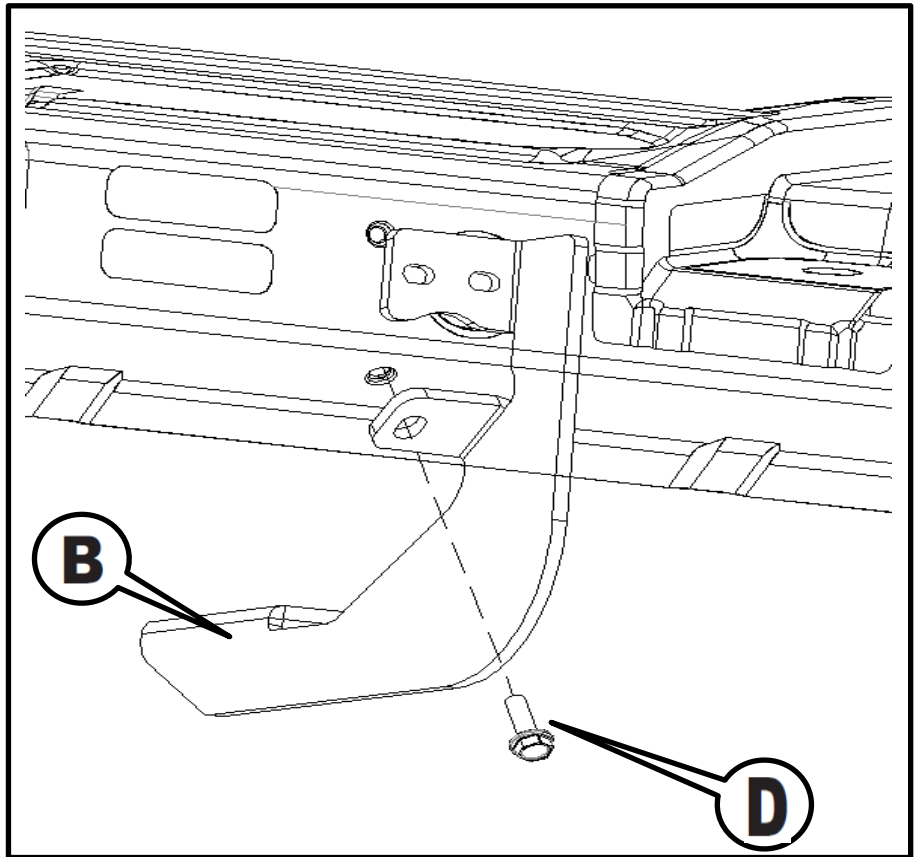


Use a standard screwdriver to lift the edge of the plug and a pair of pliers to pull the plug out.

Discard the plugs.

The regular cab does not have a middle mounting location. Extra brackets and hardware may be discarded.

**2** Attached the mounting brackets [B] to the lower mounting locations where the plug was removed using the 8mm x 25mm bolt [D].

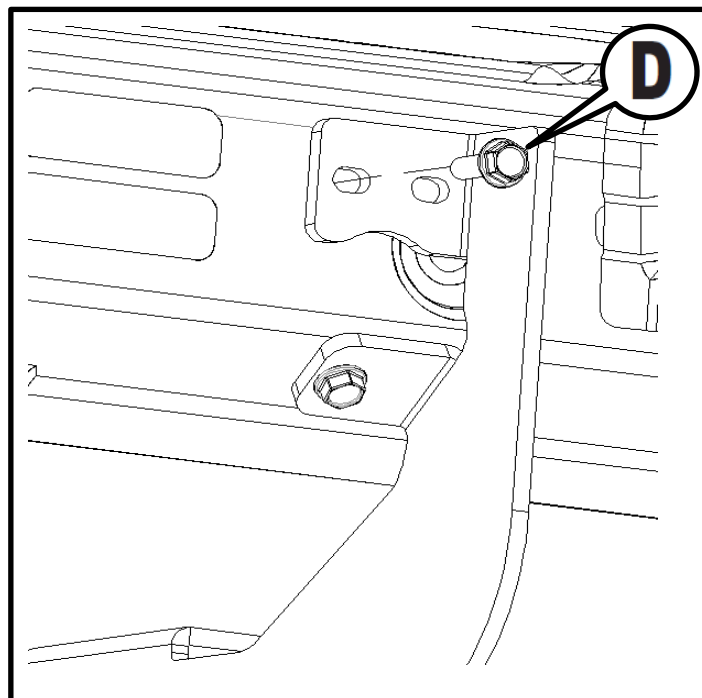


Bracket [C] will be used for the mounting locations on the passenger side.

Do not completely tighten at this time.

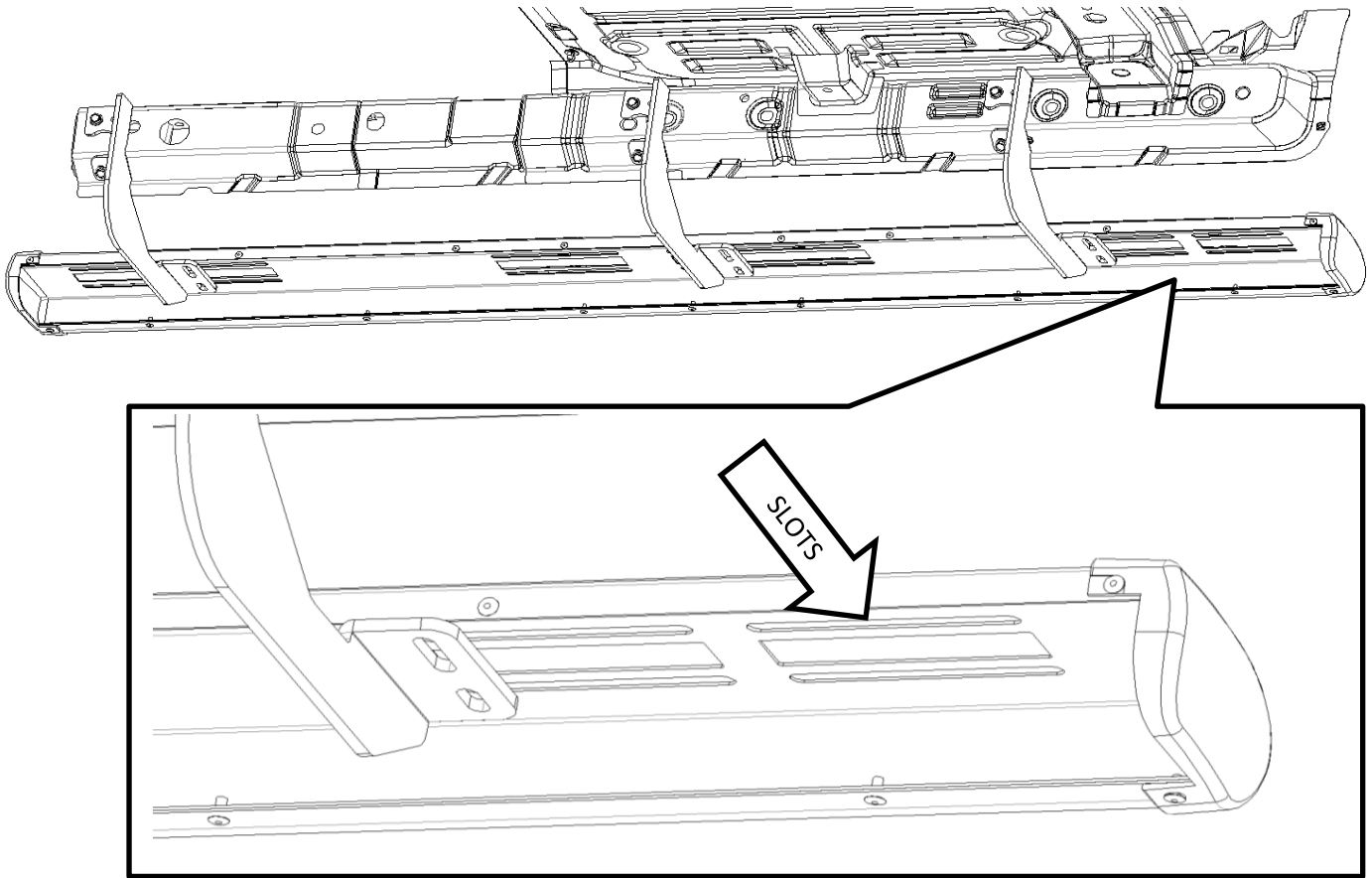
Attached the mounting brackets [B] to the upper mounting locations where the plug was removed using the 8mm x 25mm bolt [D].

Depending on the brace location on the vehicle and the cab style of the truck, the upper mounting bolt will be used in one of the two slots. Check for the location of the weld nut in the vehicle and use the appropriate slot.

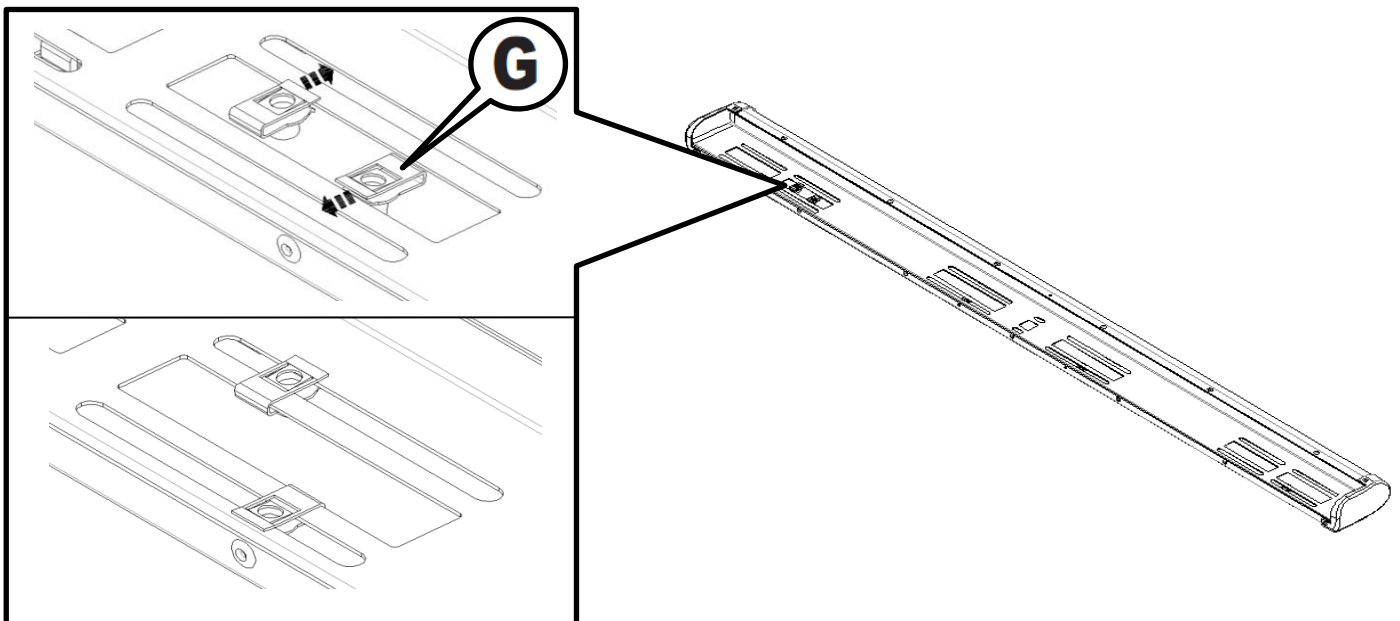


Tighten brace bolts with a 13mm socket / wrench.

- 3** Once the brackets are in place, set the tube on the braces and adjust as necessary front to back. Look under the tube to determine which sets of slots will be used to attach the tube to the braces. Depending on your cab style, the image may appear different than yours, but the install is the same.

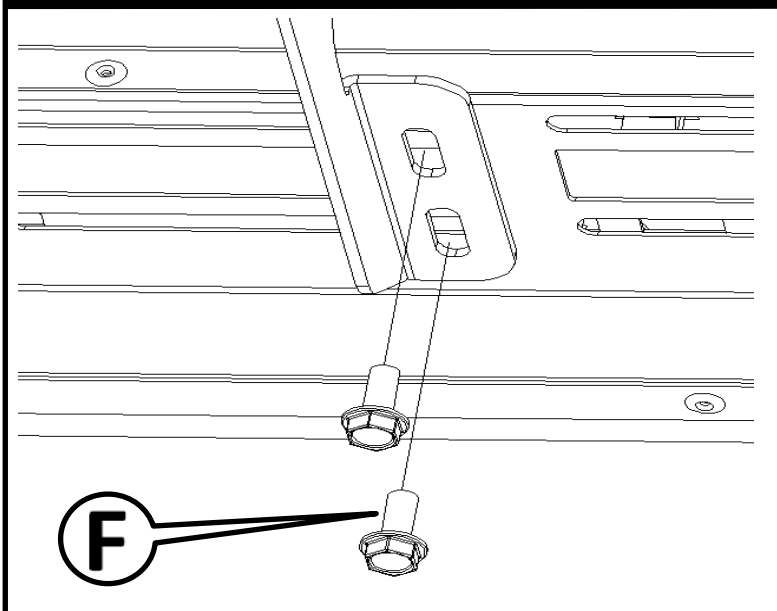
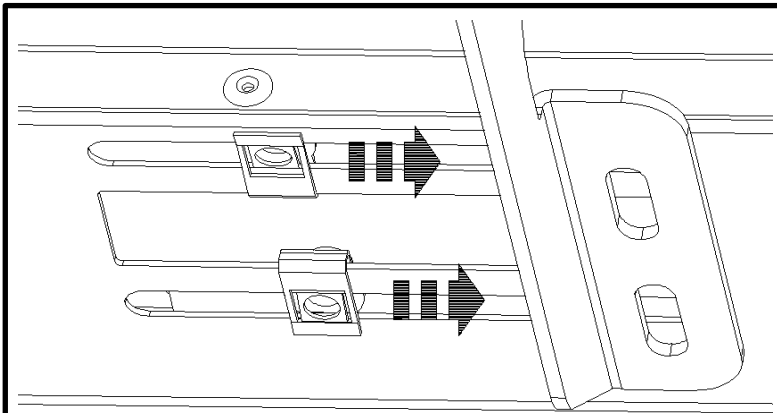
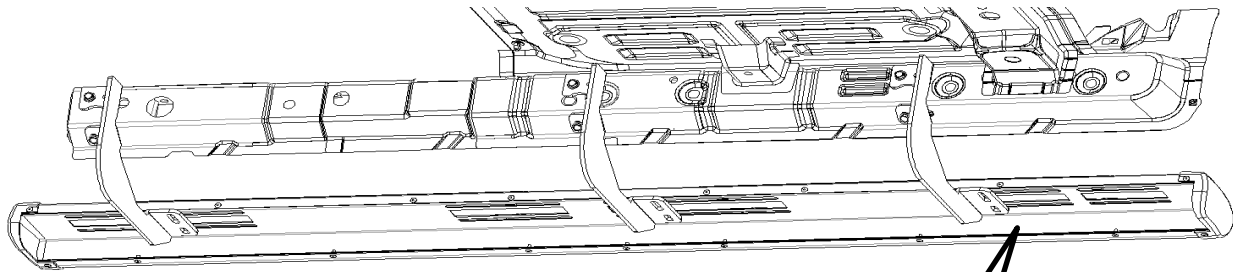


- 4** Remove the tube and install the 8mm U-nuts [G] that were supplied with the tubes into the slots identified in the previous step. Use 2 U-nuts per brace location.



**5** Set the tube back on the brackets and slide the U-nuts in the tube slots so that they align with the mounting slots in the braces. Repeat at all mounting locations.

Attach the tube to the braces using the 8mm x 20mm bolts [F] that were supplied with the tube step. Tighten bolts with a 13mm wrench or socket. Repeat at all mounting locations.

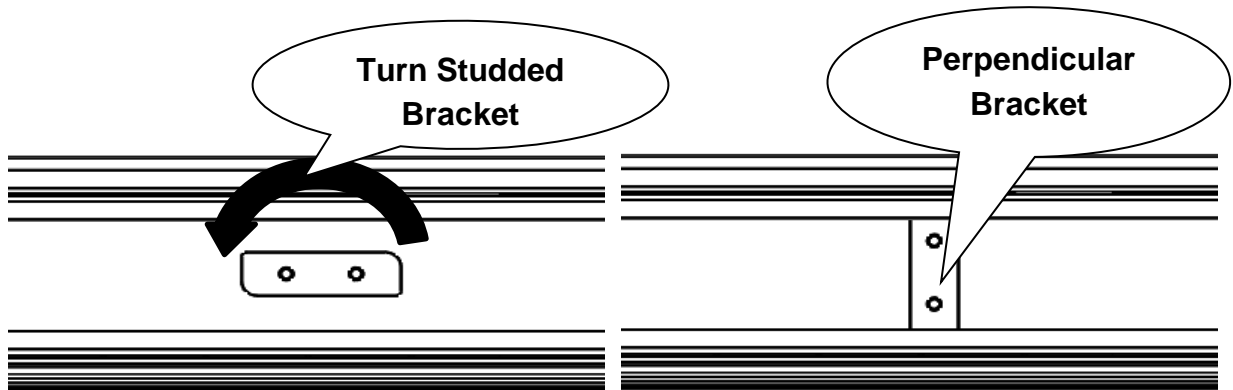


Item E will not be used for the tube installation. The parts can be discarded. Make sure all bolts are tightened. Repeat steps for other side.

6

**This Step is for installing the Molded Side Steps ONLY**

Place the Studded Brackets inside of the Molded board and twist the bracket until the brackets are perpendicular to the board. Use the same number of studded brackets as there are vehicle brackets on one side of the vehicle. **Repeat Step on both boards.**



Install the board with studded brackets through the braces on the vehicle and install nuts on the studded brackets. Ensure Metal Framework of the board is touching the brace on both sides. **Center the board front to back and Fully Tighten Hardware and repeat on the other side.**

