



1-800-779-2102

Mon – Thurs: 8:00am - 5:00pm | Friday: 8:00am - 4:00pm CST

INSPECT YOUR PRODUCT FOR DAMAGE & MISSING PARTS BEFORE PROCEEDING TO INSTALLATION

PROCEDURE FOR RETURNS OR MISSING HARDWARE

-PLEASE CONTACT THE ORIGINAL POINT OF PURCHASE FOR:
SHIPPING DAMAGE, RETURNS, OR WARRANTY CLAIMS

-CONTACT DEE ZEE DIRECTLY FOR MISSING PARTS OR HARDWARE

WWW.DEEZEE.COM

REGISTER YOUR PRODUCT ONLINE: www.deezee.com/registration

VIEW INSTRUCTIONS ONLINE: www.deezee.com/instructions

⚠️ WARNING: Cancer and Reproductive Harm
www.P65Warnings.ca.gov

Operating, servicing, and maintaining a passenger vehicle can expose you to chemicals such as lead, phthalates, engine exhaust, and carbon monoxide that are known to the State of California cause cancer and birth defects or other reproductive harm. To minimize exposure, service your vehicle and its accessories in a well-vented area and wear gloves or wash your hands frequently.



DEE ZEE, INC. WARRANTY AGREEMENT

Dee Zee, Inc. guarantees the original purchaser a limited lifetime warranty against manufacturer defects in materials, workmanship, and design under normal use, excluding damage resulting from road hazards such as gravel or other debris, product misuse, improper installation, impairments from accidents, product modifications, improper repairs, spills, vandalism, product neglect, or acts of God.

This warranty applies only to the original purchaser of new product(s) and is limited to the replacement of genuine Dee Zee products. Modification of any kind to Dee Zee products voids all warranty coverage. Warranty does not include electrical components, installation, cost of removal, labor, transportation costs, loss of use, inconvenience, or consequential damages.

WARRANTY COVERAGE - MATERIALS & WORKMANSHIP

LIMITED LIFETIME WARRANTY:

- STAINLESS STEEL: Side Steps, Grill Guards, Bull Bars, Bed Caps, and Side Rails
- ALUMINUM: Side Steps, Running Boards, Storage Boxes, Transfer Tanks, Bed Protection, Side Rails, Invis-A-Racks, and Cab Racks
- PLASTIC: Storage Boxes
- OTHER: Front and Rear Bumpers

THREE-YEAR WARRANTY:

- POWDER-COATED / E-COATED STEEL: Side Steps, Running Boards, Storage Boxes, Transfer Tanks, Cab Racks, Sport Bar Ladder Racks, Cargo Carriers, Mounting Brackets (NX, Rough Step, and Bumper Guards only)
- OTHER: Tailgate Assist, Bed Mats, Floor Mats, Auxiliary Fuel Connection Kits, and All Products Not Otherwise Listed Individually

WARRANTY COVERAGE – FINISH PROTECTION

The finish of all Dee Zee products is covered for one-year (1) from the date of purchase. Dee Zee products have a high quality finish that must be cared for and maintained like any other exposed finish on the vehicle. Protect the finish with non-abrasive automotive wax (e.g. Pure Carnauba) on a regular basis. Applying soaps, polishes, or waxes that contain an abrasive compound may scratch the finish and leave the exposed material susceptible to corrosion.

WARRANTY COVERAGE – COMPONENT PARTS

Operational items such as shocks, latches, hinges, and wear items including, but not limited to, mud flaps, step pads, toolbox tray, end caps, hardware, seals, etc. have a one-year (1) warranty. Replacement component parts can be ordered via credit card (MasterCard or VISA) by calling 1-800-779-2102. All replacement parts are non-returnable and non-refundable.

GPI® FUEL PUMPS & ACCESSORIES

All Great Plains Industries (GPI) products, including transfer tank pumps and fuel meters are covered by GPI's warranty policies. Dee Zee's warranty terms do not apply to GPI products. To submit a warranty claim, please contact GPI at 1-800-835-0113 or visit www.gpi.net.

WARRANTY SUBMISSION PROCEDURE

All warranty claims will be initiated at the place of purchase. The original purchaser will be required to present the original sales receipt with purchase date shown and provide photographs of the defect.

In the event the originally purchased product style is no longer available, Dee Zee will warranty the defective part with a current equivalent. If a comparable product is no longer available, the product would be returned to the store of purchase for a refund or the applicable cost difference can be paid to choose an alternate style.

DISCLAIMER

All products are sold as appearance accessories and should not be relied upon as protection for the vehicle or its occupants in the event of an accident. Vehicles equipped with a supplemental restraints system (air bags) deployed by impact and collision avoidance systems should not be modified in any way. Always consult the vehicle manufacturer if you have any questions regarding supplemental restraint systems and sensors.

Buyer must accommodate front and rear sensors during product installation and assumes all risk should these be tampered, rerouted, severed, or disconnected. This includes disabling visual, audio, or vibration alerts into the cab. Buyer assumes all risk and responsibility for wiring any supplemental auxiliary lights.

Buyer assumes all risk, liability, and cost for the installation and use of Dee Zee products. Dee Zee, Inc. assumes no liability for injury, loss, incidental or consequential damages in the event of an accident.



Thank you for choosing Dee Zee to add function and accessorize your vehicle. Dee Zee has been a staple brand in the truck accessory market since 1977 and we hold a reputation of quality manufacturing based in America's Heartland. Our products are born through careful engineering and backed by industry leading warranty programs. We appreciate the opportunity to serve you and your vehicle!

Review the instruction pages in their entirety to prepare the required tools

Warning: Please check for wiring or other obstructions before drilling any holes in the vehicle. If it is necessary to drill any holes, Dee Zee recommends putting a sealant or rust inhibitory around all holes drilled into the body of the vehicle.

It is the sole responsibility of the vehicle owner to check for tire clearance. It is unlawful and dangerous to ride on any external vehicle step while the vehicle is in motion.

Cleaning: To be entitled to all warranty rights offered with the product, Dee Zee steps need to be cleaned regularly with a mild detergent. Do NOT use abrasive cleaners. For stainless steel products, the application of a high grade automotive wax is recommended.



Dee Zee Cares - Please Recycle

For an electronic version of these instructions visit: www.deezee.com/instructions

Register your product online: www.deezee.com/registration

Congratulations on your purchase of a quality Dee Zee product. Dee Zee is recognized as having the highest quality running boards and accessories on the market today. We have earned this reputation by offering our customers a product they can be proud to place on their vehicles. Dee Zee meets all the criteria of manufacturing a custom-fit product which guarantees it to be the easiest product to install.

Instructions: Please take the time to read all of the installation instructions carefully before beginning this installation.

TWO YEAR WARRANTY FOR CHROME STEEL AND BLACK STEEL PRODUCTS

Dee Zee Manufacturing, Inc. guarantees the original purchaser of Dee Zee products a two year warranty against manufacturing defects in materials, workmanship, and finish under normal use. **Warranty does not include shipping damage, product misuse, improper installation, road hazards, impairments from accidents, product modifications or product neglect, and or scratches during the life of the product. This warranty does not include rust incurred / and or corrosion to the installation brackets over the life of the product.** This two year warranty applies only to new products and is limited to the repair or replacement of Dee Zee products. Warranty does not include costs of removal, installation, labor, inconvenience or consequential damages. Original purchaser must return defective merchandise, along with the purchase receipt, to the original place of purchase.

FINISH PROTECTION AND CLEANING INSTRUCTIONS

Dee Zee products have a high quality finish that must be cared for like any other exposed finish on the vehicle. Protect the finish with a non-abrasive automotive wax, (e.g. Pure Carnauba) on a regular basis. The use of any soap, polish, or wax that contains an abrasive is detrimental to the finish, as the compounds scratch the finish and open it to corrosion. The use of a black automotive type touch up paint is recommended to cover up any rock chips that would be incurred during everyday use to help in the prevention of corrosion.

LIFETIME WARRANTY FOR CHROME STAINLESS STEEL PRODUCTS

Dee Zee Manufacturing, Inc. guarantees the original purchaser of Dee Zee products a lifetime warranty against manufacturing defects, materials, workmanship, and finish under normal use. **Warranty does not include shipping damage, product misuse, improper installation, road hazards, impairments from accidents, product modifications or product neglect, and or scratches during the life of the product. This lifetime warranty does not include rust incurred / and or corrosion to the installation brackets over the life of the product.** This lifetime warranty applies only to new products and is limited to the repair or replacement of Dee Zee products. Warranty does not include costs of removal, installation, labor, inconvenience or consequential damages. Original purchaser must return defective merchandise, along with the purchase receipt, to the original place of purchase.

FINISH PROTECTION AND CLEANING INSTRUCTIONS

Dee Zee products have a high quality finish that must be cared for like any other exposed finish on the vehicle. Protect the finish with a non-abrasive automotive wax, (e.g. Pure Carnauba) on a regular basis. The use of any soap, polish, or wax that contains an abrasive is detrimental to the finish, as the compounds scratch the finish and cause corrosion.

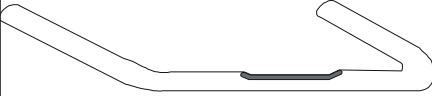

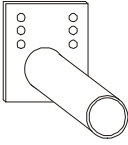
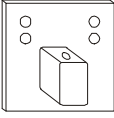

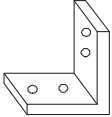
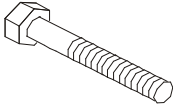
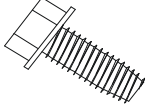



*If you should incur any problems with the installation of this product, please call us at
1-800-779-8222.*

*So that we may better serve you when you call, please have the Part Number, Bar Code
Number or Upc Code from the labels on the outside of the box.*

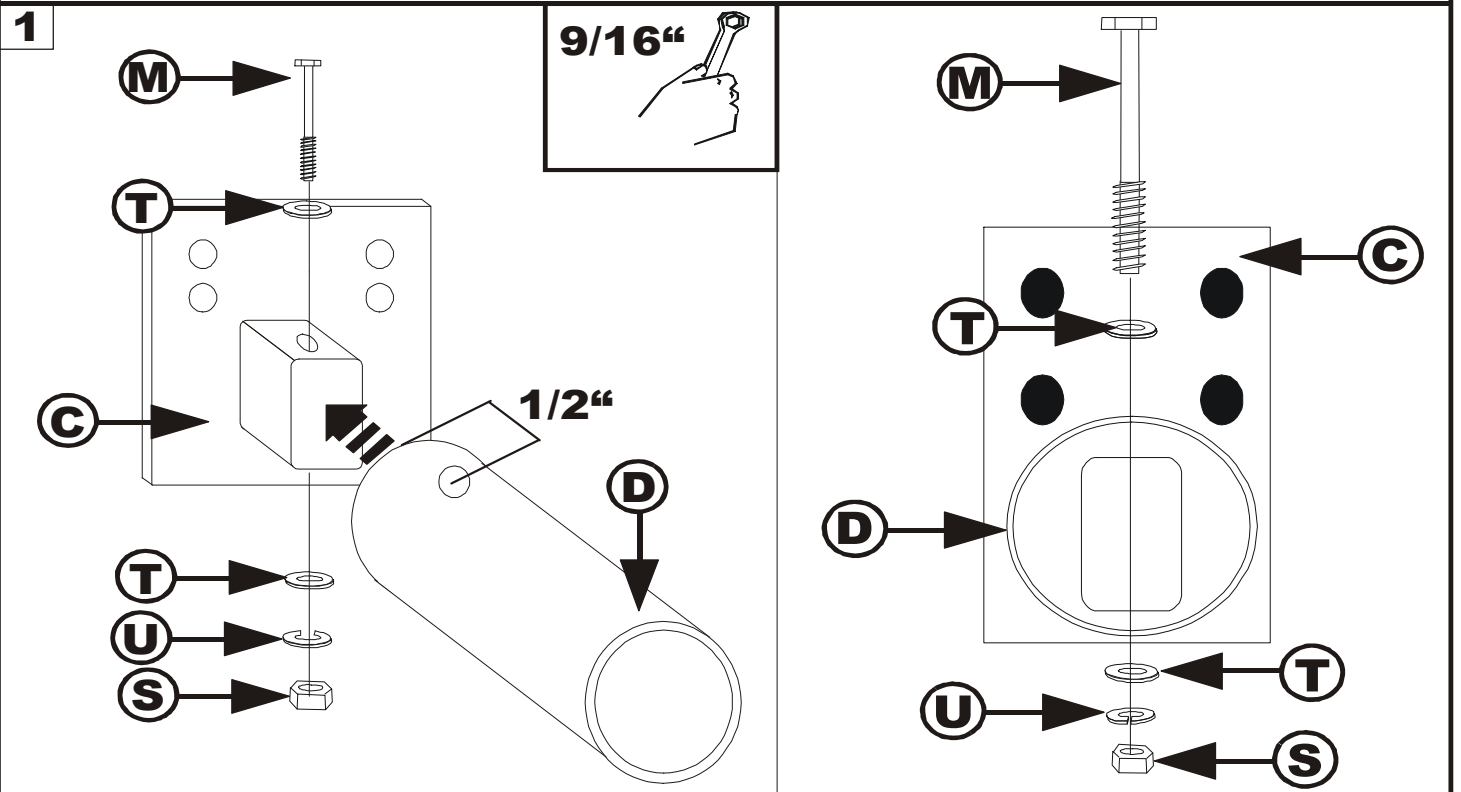
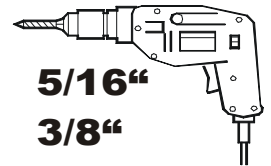
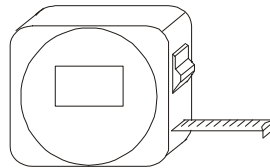
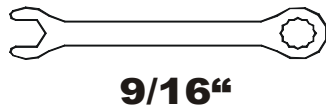
Dee Zee Universal Nerfstep Installation Instructions

DZ 3700291 / DZ 3700293 / DZ 3700301 / DZ 3700303

Regular Cab Pickups / Extended Cab Pickups

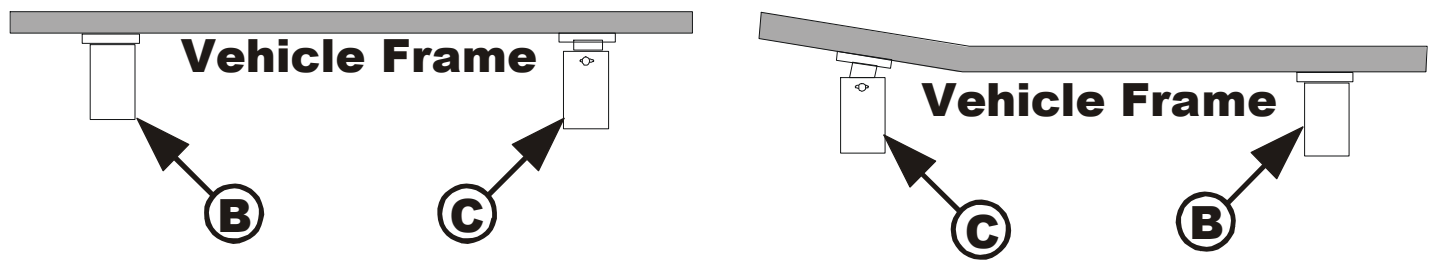
A Regular Cab Nerfstep  <p style="text-align: center;">X2</p>	A Extended Cab Nerfstep  <p style="text-align: center;">X2</p>	B Straight Mounting Bracket  <p style="text-align: center;">X2</p>	C Swivel Mounting Bracket  <p style="text-align: center;">X2</p>	
D Swivel Extension Bracket  <p style="text-align: center;">X2</p>	E Support Bracket  <p style="text-align: center;">X4</p>	M 3/8 x 3.5" Hex Head Bolt  <p style="text-align: center;">X6</p>	N 3/8" x 1" Self Tapping Screw  <p style="text-align: center;">X36</p>	S 3/8" Hex Nut  <p style="text-align: center;">X6</p>
T 3/8" Flat Washer  <p style="text-align: center;">X12</p>	U 3/8" Lock Washer  <p style="text-align: center;">X2</p>			

Tools Required:

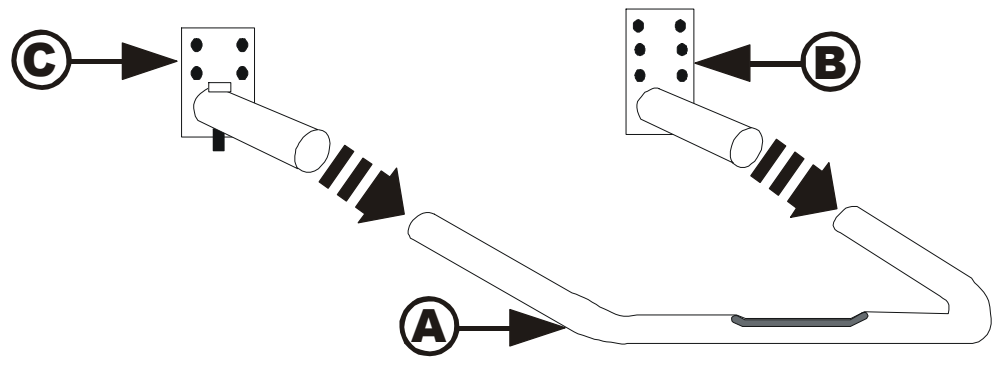


2

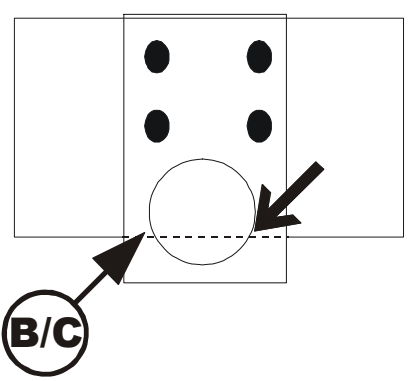
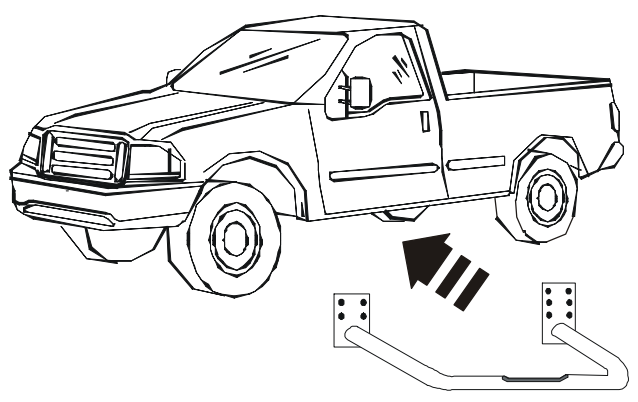
Some examples of how the brackets may fit to the frame.



3

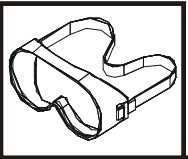
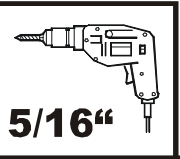
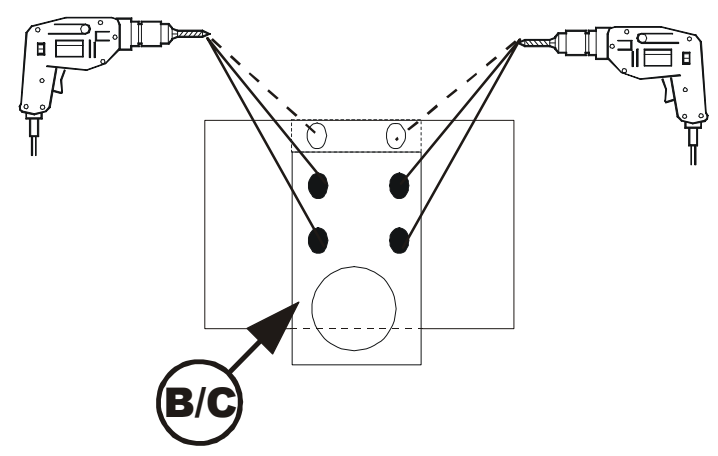
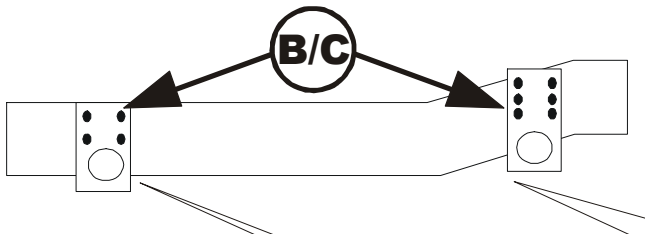


4

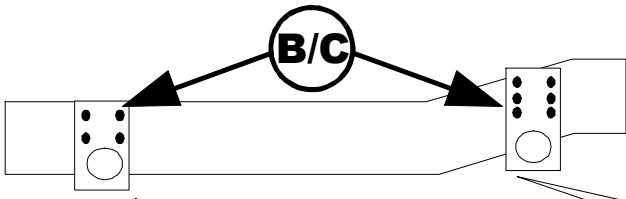


Approximately 60% of tube section of brackets must make contact with the frame. The bracket may be turned sideways to accomplish this but new holes will have to be drilled for the tube.

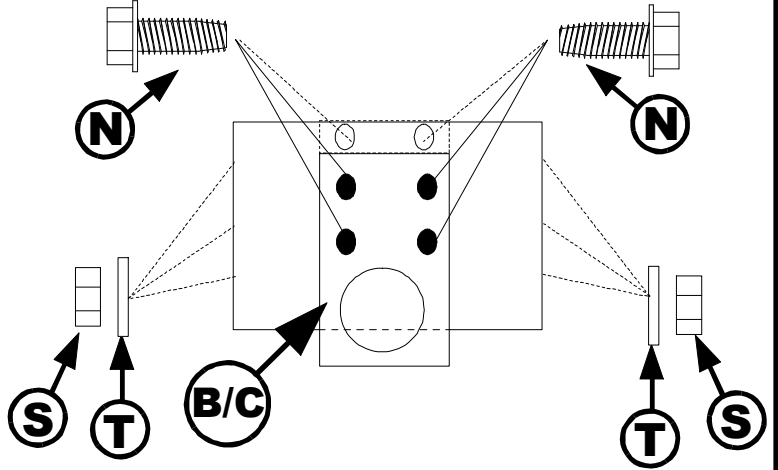
5



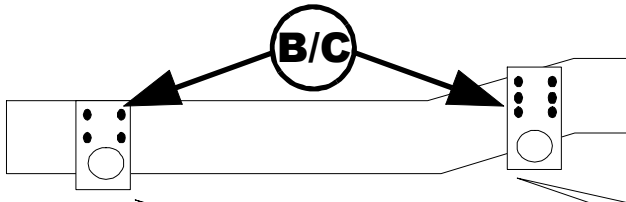
6



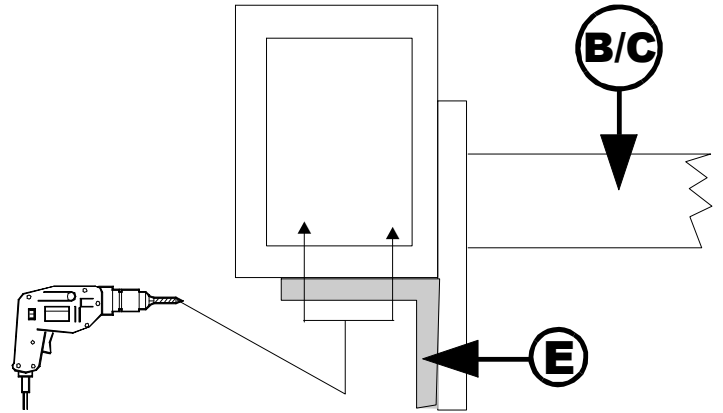
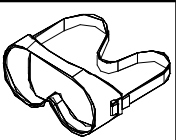
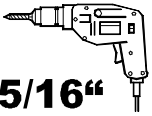
9/16"



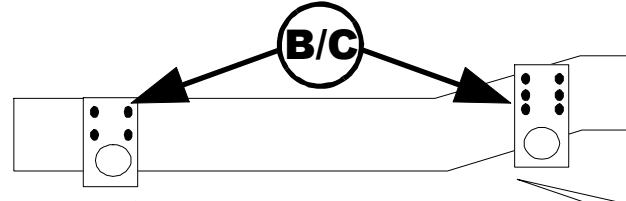
7



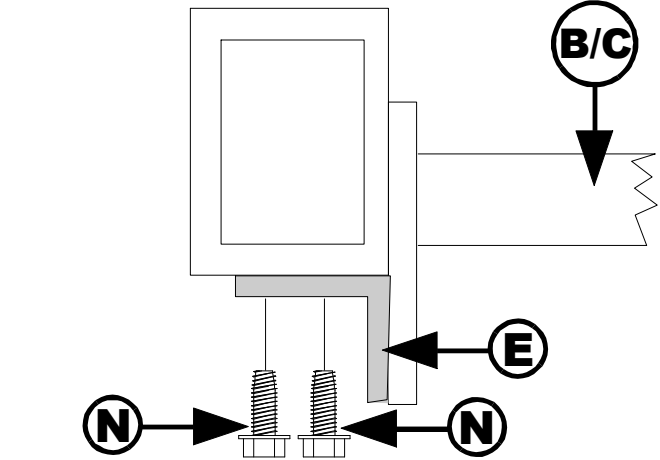
5/16"



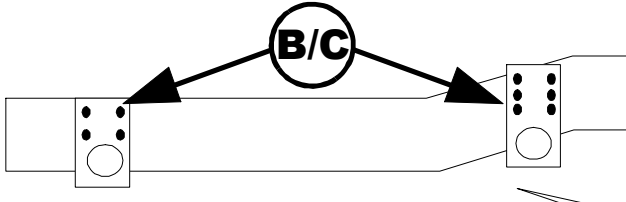
8



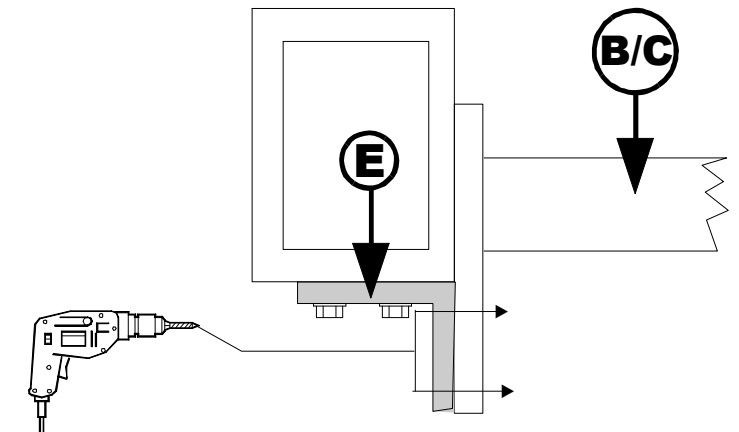
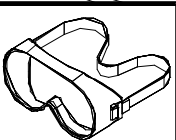
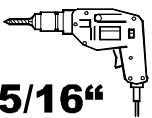
9/16"



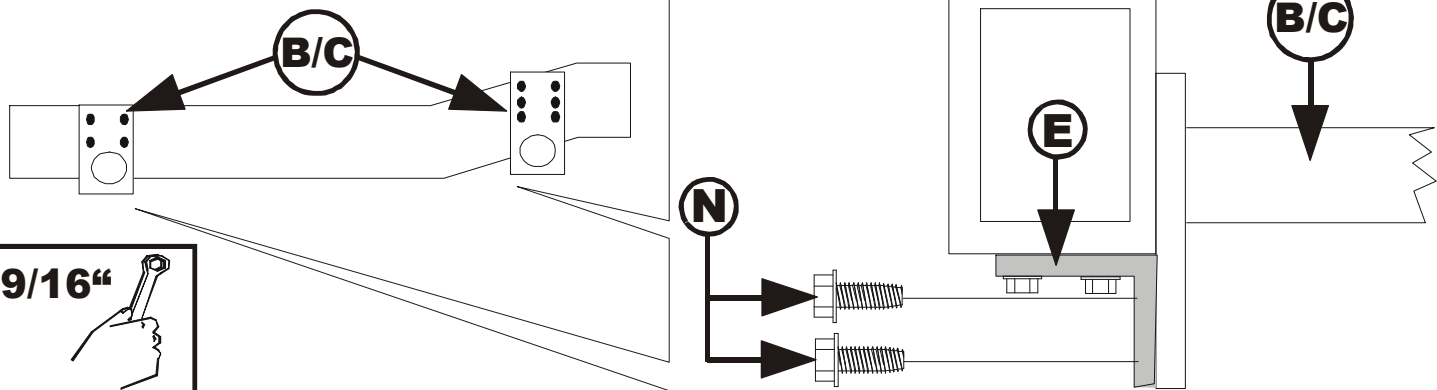
9



5/16"



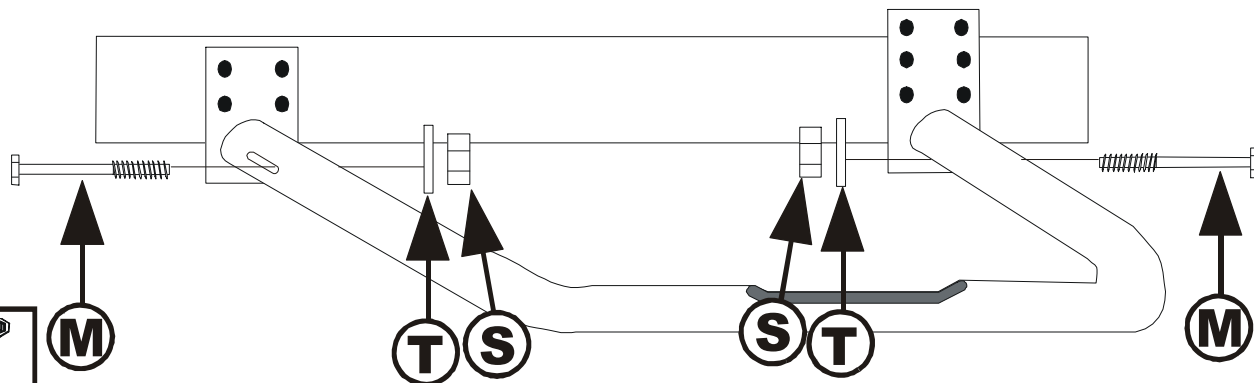
10



9/16"



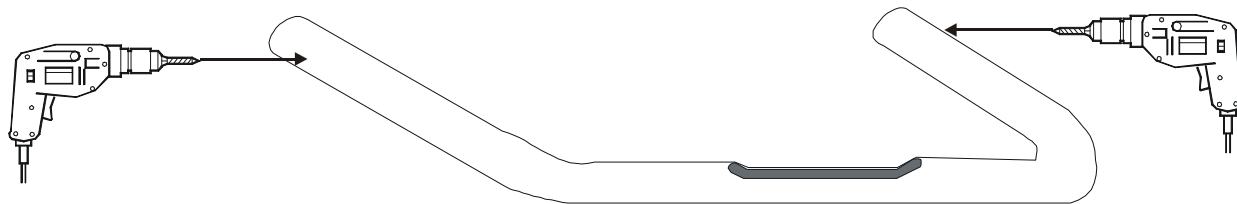
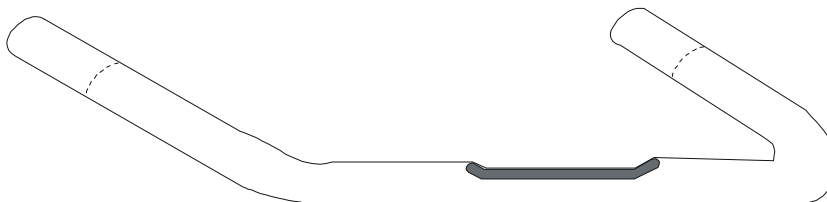
11



9/16"



NOTE: Some tubes may need to be cut to obtain the correct depth for the vehicle. After trimming to the appropriate length, drill 3/8" holes in ends to mount to brackets. Install as normal.



3/8"

