



1-800-779-2102

Mon – Thurs: 8:00am - 5:00pm | Friday: 8:00am - 4:00pm CST

**INSPECT YOUR PRODUCT FOR DAMAGE & MISSING
PARTS BEFORE PROCEEDING TO INSTALLATION**

PROCEDURE FOR RETURNS OR MISSING HARDWARE

-PLEASE CONTACT THE ORIGINAL POINT OF PURCHASE FOR:
SHIPPING DAMAGE, RETURNS, OR WARRANTY CLAIMS

-CONTACT DEE ZEE DIRECTLY FOR MISSING PARTS OR HARDWARE

WWW.DEEZEE.COM

REGISTER YOUR PRODUCT ONLINE: www.deezee.com/registration

VIEW INSTRUCTIONS ONLINE: www.deezee.com/instructions

⚠ WARNING: Cancer and Reproductive Harm
www.P65Warnings.ca.gov

Operating, servicing, and maintaining a passenger vehicle can expose you to chemicals such as lead, phthalates, engine exhaust, and carbon monoxide that are known to the State of California cause cancer and birth defects or other reproductive harm. To minimize exposure, service your vehicle and its accessories in a well-vented area and wear gloves or wash your hands frequently.



DEE ZEE, INC. WARRANTY AGREEMENT

Dee Zee, Inc. guarantees the original purchaser a limited lifetime warranty against manufacturer defects in materials, workmanship, and design under normal use, excluding damage resulting from road hazards such as gravel or other debris, product misuse, improper installation, impairments from accidents, product modifications, improper repairs, spills, vandalism, product neglect, or acts of God.

This warranty applies only to the original purchaser of new product(s) and is limited to the replacement of genuine Dee Zee products. Modification of any kind to Dee Zee products voids all warranty coverage. Warranty does not include electrical components, installation, cost of removal, labor, transportation costs, loss of use, inconvenience, or consequential damages.

WARRANTY COVERAGE - MATERIALS & WORKMANSHIP

LIMITED LIFETIME WARRANTY:

- STAINLESS STEEL: Side Steps, Grill Guards, Bull Bars, Bed Caps, and Side Rails
- ALUMINUM: Side Steps, Running Boards, Storage Boxes, Transfer Tanks, Bed Protection, Side Rails, Invis-A-Racks, and Cab Racks
- PLASTIC: Storage Boxes
- OTHER: Front and Rear Bumpers

THREE-YEAR WARRANTY:

- POWDER-COATED / E-COATED STEEL: Side Steps, Running Boards, Storage Boxes, Transfer Tanks, Cab Racks, Sport Bar Ladder Racks, Cargo Carriers, Mounting Brackets (NX, Rough Step, and Bumper Guards only)
- OTHER: Tailgate Assist, Bed Mats, Floor Mats, Auxiliary Fuel Connection Kits, and All Products Not Otherwise Listed Individually

WARRANTY COVERAGE – FINISH PROTECTION

The finish of all Dee Zee products is covered for one-year (1) from the date of purchase. Dee Zee products have a high quality finish that must be cared for and maintained like any other exposed finish on the vehicle. Protect the finish with non-abrasive automotive wax (e.g. Pure Carnauba) on a regular basis. Applying soaps, polishes, or waxes that contain an abrasive compound may scratch the finish and leave the exposed material susceptible to corrosion.

WARRANTY COVERAGE – COMPONENT PARTS

Operational items such as shocks, latches, hinges, and wear items including, but not limited to, mud flaps, step pads, toolbox tray, end caps, hardware, seals, etc. have a one-year (1) warranty. Replacement component parts can be ordered via credit card (MasterCard or VISA) by calling 1-800-779-2102. All replacement parts are non-returnable and non-refundable.

GPI® FUEL PUMPS & ACCESSORIES

All Great Plains Industries (GPI) products, including transfer tank pumps and fuel meters are covered by GPI's warranty policies. Dee Zee's warranty terms do not apply to GPI products. To submit a warranty claim, please contact GPI at 1-800-835-0113 or visit www.gpi.net.

WARRANTY SUBMISSION PROCEDURE

All warranty claims will be initiated at the place of purchase. The original purchaser will be required to present the original sales receipt with purchase date shown and provide photographs of the defect.

In the event the originally purchased product style is no longer available, Dee Zee will warranty the defective part with a current equivalent. If a comparable product is no longer available, the product would be returned to the store of purchase for a refund or the applicable cost difference can be paid to choose an alternate style.

DISCLAIMER

All products are sold as appearance accessories and should not be relied upon as protection for the vehicle or its occupants in the event of an accident. Vehicles equipped with a supplemental restraints system (air bags) deployed by impact and collision avoidance systems should not be modified in any way. Always consult the vehicle manufacturer if you have any questions regarding supplemental restraint systems and sensors.

Buyer must accommodate front and rear sensors during product installation and assumes all risk should these be tampered, rerouted, severed, or disconnected. This includes disabling visual, audio, or vibration alerts into the cab. Buyer assumes all risk and responsibility for wiring any supplemental auxiliary lights.

Buyer assumes all risk, liability, and cost for the installation and use of Dee Zee products. Dee Zee, Inc. assumes no liability for injury, loss, incidental or consequential damages in the event of an accident.



Thank you for choosing Dee Zee to add function and accessorize your vehicle. Dee Zee has been a staple brand in the truck accessory market since 1977 and we hold a reputation of quality manufacturing based in America's Heartland. Our products are born through careful engineering and backed by industry leading warranty programs. We appreciate the opportunity to serve you and your vehicle!

Review the instruction pages in their entirety to prepare the required tools

Warning: Test fit truck bed rails to obtain proper placement before installing this product.

Dee Zee bed rails should never be used to secure cargo or used as weight bearing rails. Please refer to your truck owner's manual for cargo placement and tie down ratings of the truck bed.

Cleaning: To be entitled to all warranty rights offered with the product, Dee Zee side rails need to be cleaned regularly with a mild detergent. Do NOT use abrasive cleaners. For stainless steel products, the application of a high grade automotive wax is recommended.



Dee Zee Cares - Please Recycle

For an electronic version of these instructions visit: www.deezee.com/instructions

Register your product online: www.deezee.com/registration

(W)

INSTALLATION INSTRUCTIONS

BOLT-ON BED RAIL

14-15 SILVERADO/SIERRA 1500 5-1/2FT "SHORT" BED

PART # DZ 99611

PARTS LIST:

1	Driver/Left Bed Rail	2	10mm x 25mm Hex Bolts
1	Passenger/Right Bed Rail	6	10mm Lock Washers
2	80mm Rectangular Threaded Brackets	2	10mm x 34mm x 3mm Flat Washers
2	50mm Parallelogram Threaded Bracket	4	10mm x 20mm OD x 1.5mm Small S/Steel Flat Washers
2	10mm Double Nut Plates	1	Allen Wrench
4	10-1.50mm x 50mm Allen Head Bolts		

PROCEDURE:

- 1. REMOVE CONTENTS FROM BOX. VERIFY ALL PARTS ARE PRESENT. READ INSTRUCTIONS CAREFULLY BEFORE STARTING INSTALLATION. CUTTING MAY BE REQUIRED. VERIFY BEDRAIL IS CORRECT LENGTH TO COVER BOTH STAKE POCKETS BEFORE CUTTING BEDSIDE COVERS!**
- Start installation at the passenger side rear stake pocket, **(Figure 1)**. Select (1) 10mm Double Nut Bracket, **(Figure 2A)**. Remove the rubber plug in the side of the stake pocket. Insert the Bracket into the large rear stake pocket. Bolt the lower end of the Bracket to the hole in the side of the stake pocket with (1) 10mm x 25mm Hex Bolt, (1) 10mm Lock Washer and (1) 10mm x 34mm Large Flat Washer, **(Figure 2B)**. Snug but do not fully tighten hardware.
- Move to the front stake pocket. Carefully cut along the factory lines molded into the plastic cover, **(Figure 3)**. **IMPORTANT:** The factory lines may not represent the correct location or size of the stake pocket and may be larger than the actual stake pocket opening. **Be very careful** cutting through the plastic cover to avoid damage to the top of the bed.
- Select the passenger/right side Bed Rail. Insert (1) 10mm x 50mm Button Head Allen Bolt, (1) 10mm Lock Washer and (1) 10mm Small Flat Washer through the front mounting plate and into (1) Threaded Plate as illustrated in **Figure 4**. **NOTE:** Two types of Threaded Plates are included in the kit, **(Figures 6A & 6B)**. Use the largest Plate possible to fit across the inside of the stake pocket. Leave hardware loose at this time.
- With the hardware loose in the front mounting plate, carefully position the Bed Rail onto the top of the bed. Tilt the Bolt and/or Bedrail side to side to slide the Threaded Plate into and under the lip on both sides of the steel part of the stake pocket, **(Figure 5)**. Use the largest Plate possible to fit across the inside of the stake pocket, **(Figures 6A & 6B)**. Snug but do not tighten hardware at this time.
- Move to the rear location. Line up the hole in the mounting plate on the Bed Rail with the 10mm Nut Plate Bracket inside the stake pocket, **(see Step 2, Fig. 2B)**. Secure the Bed Rail to the Bracket with (1) 10mm x 50mm Button Head Allen Bolt, (1) 10mm Lock Washer and (1) 10mm Small Flat Washer, **(Figure 7)**. Do not tighten hardware at this time.
- Line up the front and rear of the Bed Rail with the top of the bed and tighten all hardware. To tighten the front mounting position, pull up on the Bed Rail to hold the Threaded Plate in place and centered across the pocket. Keep pulling up on the Bed Rail to prevent the Plate from moving/rotating while tightening the 10mm mounting bolt, **(Figure 6A & 6B)**.
- Repeat **Steps 2 – 7** for driver side Bed Rail installation.
- Do periodic inspections to the installation to make sure that all hardware is secure and tight.

To protect your investment, wax this product after installing. Regular waxing is recommended to add a protective layer over the finish. Do not use any type of polish or wax that may contain abrasives that could damage the finish.

For stainless steel: Aluminum polish may be used to polish small scratches and scuffs on the finish. Mild soap may be used also to clean the Bed Rails.

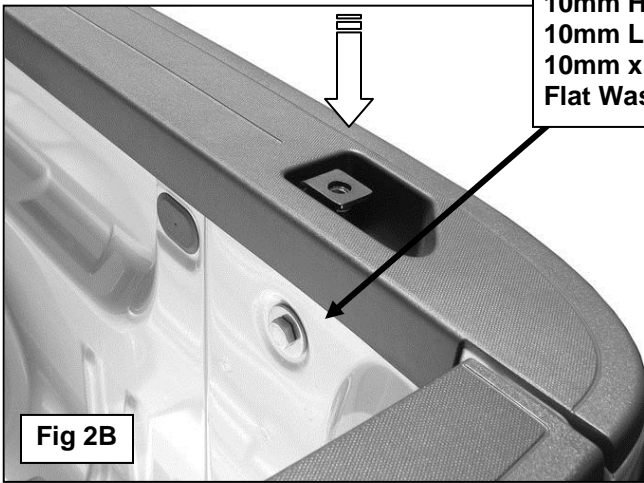
Passenger Side Installation Pictured



(Fig 1) Remove rubber plug from side of rear stake pocket



Fig 2A



10mm Hex Bolt
10mm Lock Washer
10mm x 34mm Large Flat Washer

Fig 2B

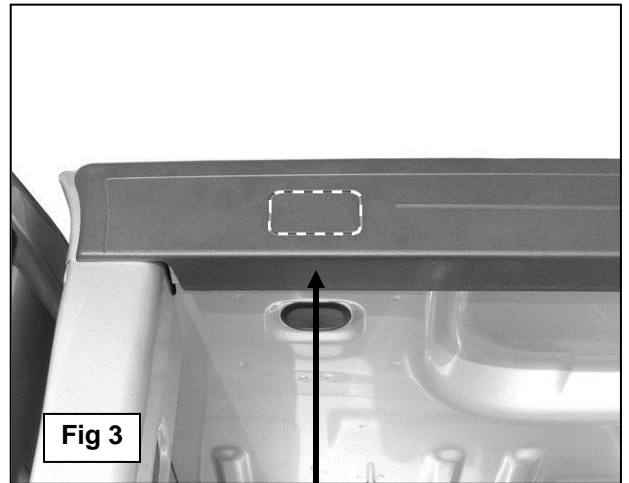
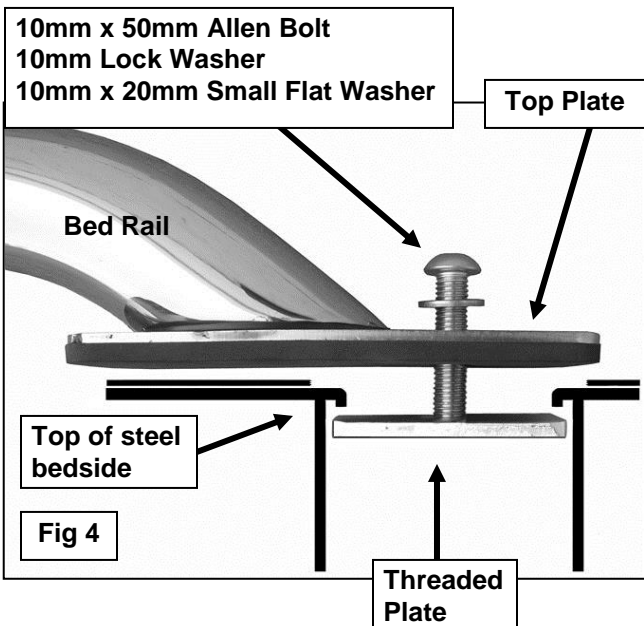


Fig 3

Follow the factory guide lines to cut out the cover over the front stake pocket. The guide lines in the cover may not represent the actual size of the stake pocket. Be very careful cutting through the plastic cover to avoid damage to the top of the bed.



10mm x 50mm Allen Bolt
10mm Lock Washer
10mm x 20mm Small Flat Washer

Top Plate

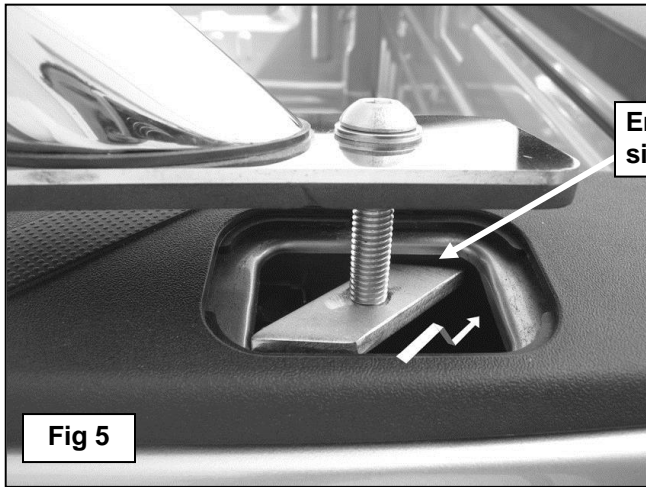
Bed Rail

Top of steel bedside

Fig 4

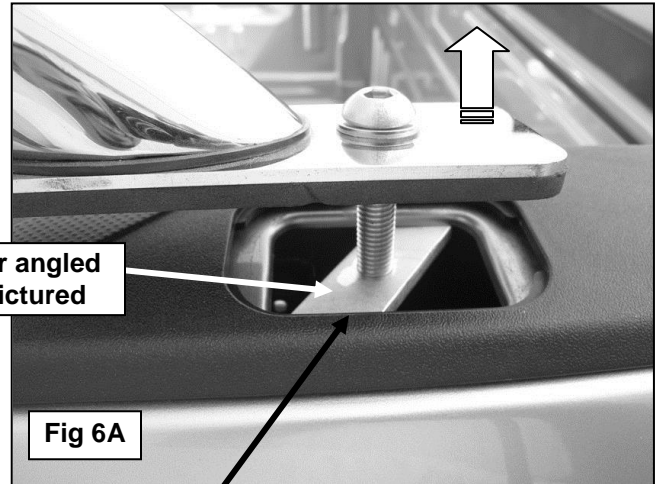
Threaded Plate

Thin black line represents plastic bed cover



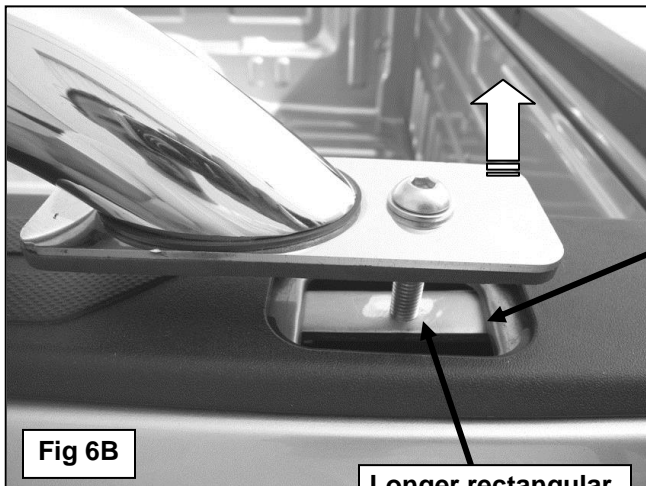
Engage one side first

Fig 5



Smaller angled plate pictured

Fig 6A



Longer rectangular plate pictured

Fig 6B

Pull up on Bedrail as you slowly tighten the mounting screw to hold the threaded plate in place against inside of stake pocket

10mm x 50mm Allen Bolt
10mm Lock Washer
10mm x 20mm Small Flat Washer

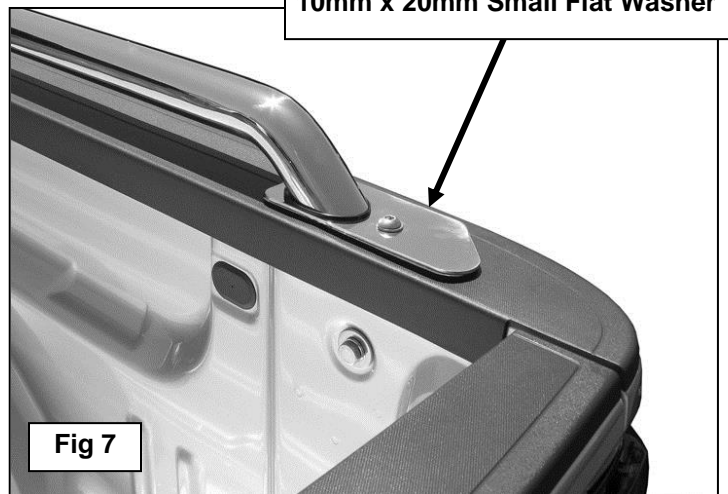


Fig 7



Complete Installation